

### Features

- Drop-in.
- Rectangular basin.
- With overflow.
- 4-inch centers.
- 21" (533 mm) x 19" (483 mm)

### Material

- KOHLER® enameled cast iron.

### Recommended Accessories

K-8998 P-Trap



ADA

### Codes/Standards

ASME A112.19.1/CSA B45.2

ADA

ICC/ANSI A117.1




### KOHLER® Lifetime Limited Warranty for Cast Iron Components

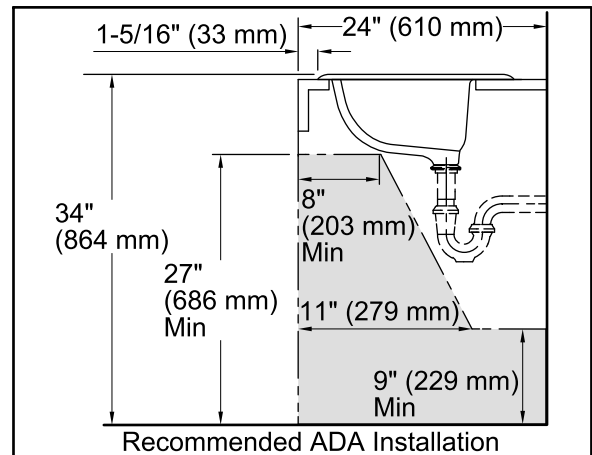
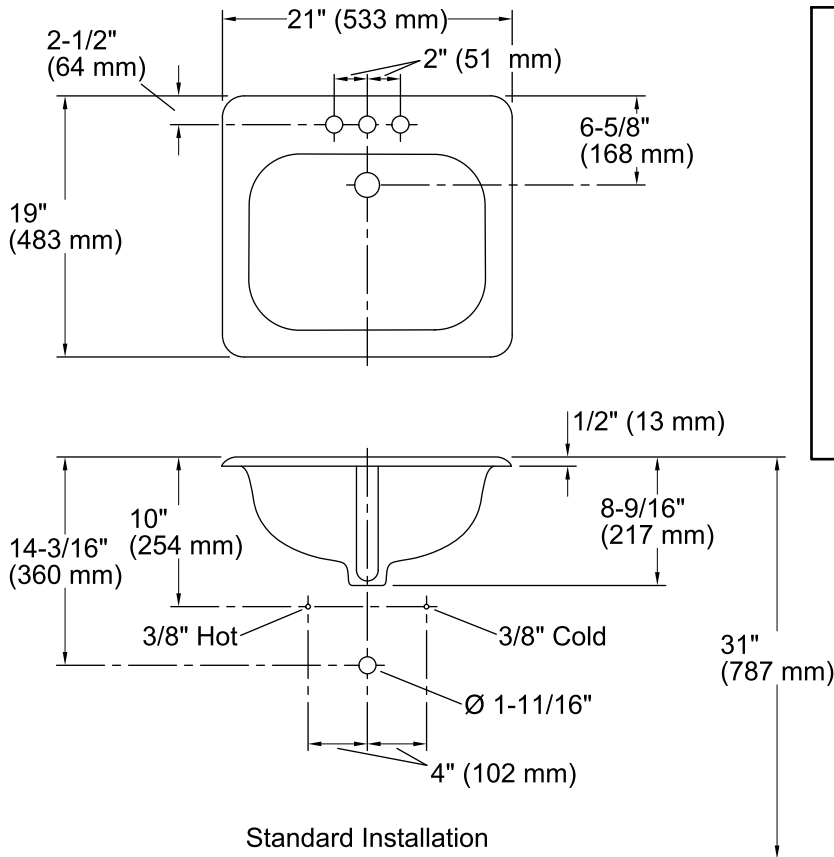
See website for detailed warranty information.

### Available Color/Finishes

*Color tiles intended for reference only.*

Color	Code	Description
-------	------	-------------

	0	White
	96	Biscuit
	47	Almond



### Technical Information

All product dimensions are nominal.

Bowl configuration:	Single
Installation:	Drop-in
Bowl area (Only)	Length: 16" (406 mm) Width: 12" (305 mm) Water depth: 5" (127 mm)
Number of deck holes:	3
Faucet hole(s):	1-1/4" (32 mm)
Drain hole:	1-3/4" (44 mm)
Template:	116586-7, required, included

### Notes

Install this product according to the installation instructions.

ADA compliant when installed to the specific requirements of these regulations.