

DRINKING FOUNTAIN K-5250

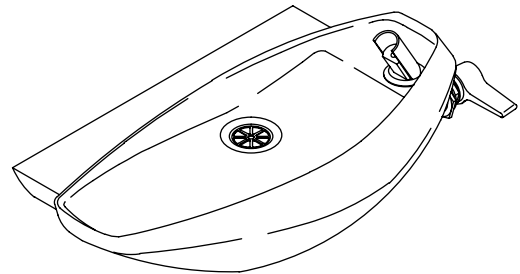
Features

- Vitreous china
- Wall-mount
- Brushed chrome lever-operated fitting
- 1-1/4" trap with brushed chrome strainer

Codes/Standards Applicable

Specified model meets or exceeds the following at date of manufacture:

- ASME A112.19.2/CSA B45.1
- ASME A112.18.1/CSA B125.1
- NSF 61
- All applicable US Federal and State material regulations



Colors/Finishes

- 0: White
- Other: Refer to Price Book for additional colors/finishes

Specified Model

Model	Description	Colors/Finishes	
K-5250	Drinking fountain	<input type="checkbox"/> 0	<input type="checkbox"/> Other_____

Product Specification

The wall-mount drinking fountain shall be made of vitreous china. Drinking fountain shall have brushed chrome lever-operated fitting and 1-1/4" trap with brushed chrome strainer. Drinking fountain shall be Kohler Model K-5250-_____.

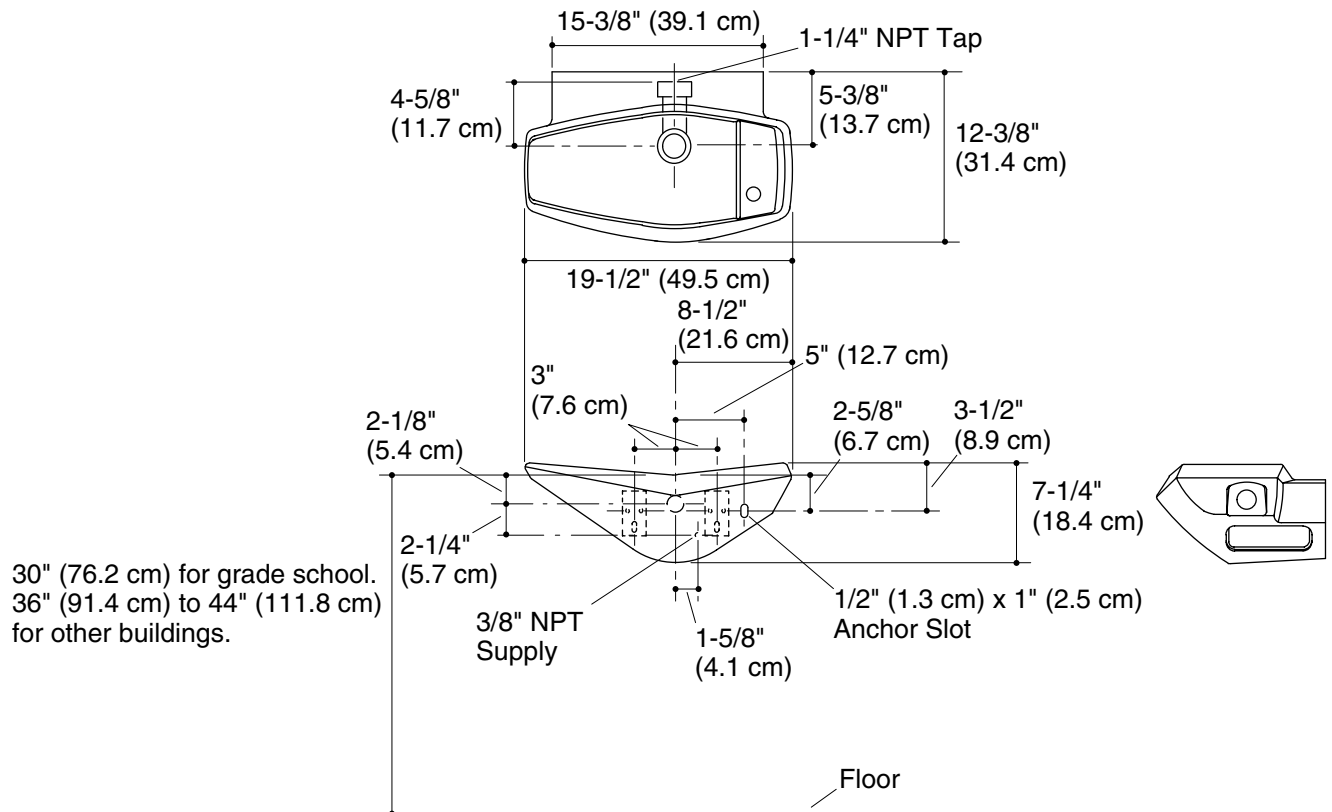
SERRA™

Technical Information

Fixture:	
Configuration	Drinking fountain
Included components:	
Hanger accessory pack	52046
Supply fitting sub-assembly	79187
Supply stop sub-assembly	35308
Trap with strainer	35312
Bottom access plate assembly	35268
Side access plate assembly	35266

Installation Notes

Install this product according to the installation guide.



Product Diagram