

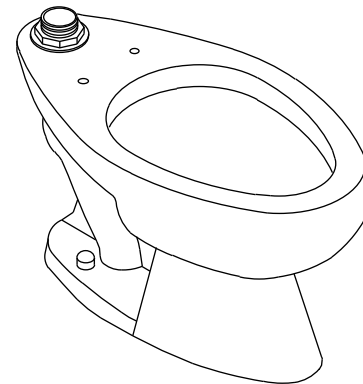
### Features

- Vitreous china
- With bedpan lugs (-L)
- 1-1/2" top spud
- 2-1/4" (57 mm) passageway
- 1.6 gpf (6 lpf)
- 10" (254 mm) or 12" (305 mm) rough-in
- 11-3/8" (289 mm) x 10-3/8" (264 mm) water area
- 26" (660 mm) x 14-1/2" (368 mm) x 14-3/4" (375 mm)

### BOWL K-4350

CSA B651

OBC



### Codes/Standards Applicable

Specified model meets or exceeds the following:

- CSA B651
- OBC
- ASME A112.19.2/CSA B45.1

### Colors/Finishes

- 0: White
- Other: Refer to Price Book for additional colors/finishes

### Accessories

- 0: White
- CP: Polished Chrome
- Other: Refer to Price Book for additional colors/finishes

### Specified Model

| Model    | Description                            | Colors/Finishes            |                                     |
|----------|--|----------------------------|-------------------------------------|
| K-4350   | Elongated bowl toilet                  | <input type="checkbox"/> 0 | <input type="checkbox"/> Other_____ |
| K-4350-B | Elongated bowl toilet with bolt holes  | <input type="checkbox"/> 0 | <input type="checkbox"/> Other_____ |
| K-4350-L | Elongated bowl toilet with bedpan lugs | <input type="checkbox"/> 0 | <input type="checkbox"/> Other_____ |

| Recommended Accessories |   |                            |                                     |                             |
|-------------------------|---|----------------------------|-------------------------------------|-----------------------------|
| K-4670-C                | Lustra™ open front seat                             | <input type="checkbox"/> 0 | <input type="checkbox"/> Other_____ |                             |
| K-4670-CA               | Lustra™ open front seat (with anti-microbial agent) | <input type="checkbox"/> 0 |                                     |                             |
| K-10674                 | WAVE exposed toilet flushometer – 1.6 gpf (6 lpf)   |                            |                                     | <input type="checkbox"/> CP |
| K-10957                 | Touchless DC toilet flushometer – 1.6 gpf (6 lpf)   |                            |                                     | <input type="checkbox"/> CP |
| K-13516                 | Manual toilet flushometer – 1.6 gpf (6 lpf)         |                            |                                     | <input type="checkbox"/> CP |

### Product Specification

The elongated bowl shall be made of vitreous china. Bowl shall be capable of either 10" (254 mm) or 12" (305 mm) rough-in with 1-1/2" top spud. Bowl shall be 1.6 gpf (6 lpf). Bowl shall have 2-1/4" (57 mm) passageway. Bowl shall have 11-3/8" (289 mm) by 10-3/8" (264 mm) water area. Bowl shall have bedpan lugs (-L). Bowl shall be 26" (660 mm) in length, 14-1/2" (368 mm) in width, and 14-3/4" (375 mm) in height. Bowl shall be Kohler Model K-4350-\_\_\_\_\_-\_\_\_\_\_.

# WELLCOMME™

## Technical Information

|  |                                     |
|--|-------------------------------------|
| Fixture*:  |                                     |
| Configuration  | Top spud, elongated                 |
| Water per flush  | 1.6 gal (6 L)*                      |
| Spud size  | 1-1/2"                              |
| Passageway   | 2-1/4" (57 mm)                      |
| Water area   | 11-3/8" (289 mm) x 10-3/8" (264 mm) |
| Water depth from rim   | 6" (152 mm)                         |
| Seat post hole centers   | 5-1/2" (140 mm)                     |
| * Designed to flush with 1.6 gal (6 L) of water when installed with a 1.6 gpf (6 lpf) valve. |                                     |

|                         |         |
|-------------------------|---------|
| Included components:    |         |
| Spud                    | 18357   |
| Bolt cap accessory pack | 1013092 |

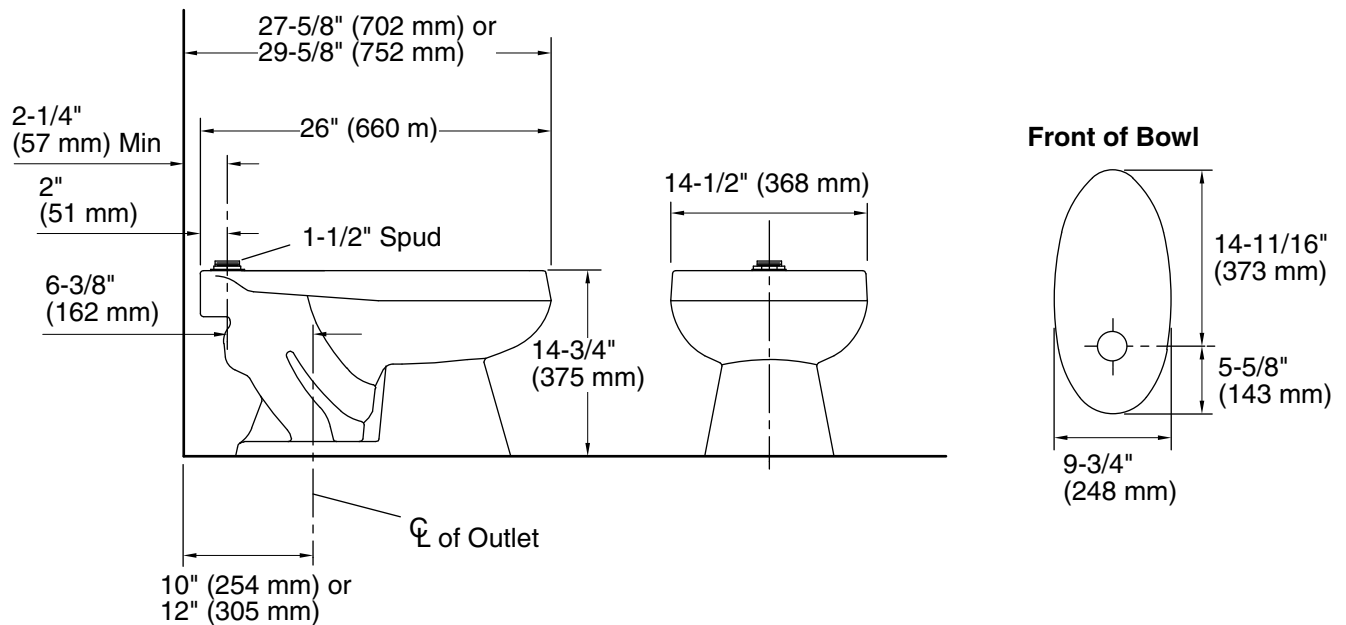
## Installation Notes

Install this product according to the installation guide.

Refer to manufacturer and local codes for flush valve requirements: for 12" (305 mm) rough-in, sweat extension nipple is required.

Will comply with **CSA B651** when installed per Clause 4.3.6 of the standard.

Will comply with **OBC Barrier Free** requirements when installed per Clause 3.8.3.8 and 3.8.3.9.



## Product Diagram