

### Features

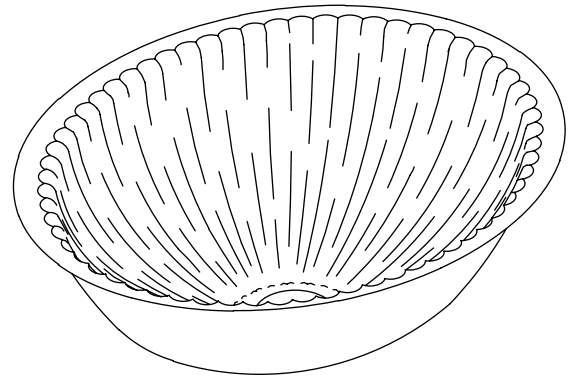
- Vitreous china
- Undercounter
- Includes 52047 clamp assembly
- 17" (432 mm) x 14" (356 mm)

## UNDERCOUNTER LAVATORY K-2219

### Codes/Standards Applicable

Specified model meets or exceeds the following:

- ASME A112.19.2/CSA B45.1



### Colors/Finishes

- 0: White
- Other: Refer to Price Book for additional colors/finishes

### Accessories:

- CP: Polished Chrome
- Other: Refer to Price Book for additional colors/finishes

### Specified Model

Model	Description	Colors/Finishes	
K-2219	17" (432 mm) x 14" (356 mm) lavatory	<input type="checkbox"/> 0 White	<input type="checkbox"/> Other_____
K-2219-G	17" (432 mm) x 14" (356 mm) lavatory with glazed underside	<input type="checkbox"/> 0 White	<input type="checkbox"/> Other_____
<b>Recommended Accessory</b>			
K-9018	P-Trap	<input type="checkbox"/> CP	<input type="checkbox"/> Other_____

### Product Specification

The undercounter lavatory shall be 17" (432 mm) in length, and 14" (356 mm) in width. Lavatory shall be made of vitreous china. Lavatory shall include 52047 clamp assembly. Lavatory shall be Kohler Model K-2219-\_\_\_\_\_.

## Technical Information

Fixture*:	basin area	water depth
Lavatory	17" (432 mm) x 14" (356 mm)	6-3/8" (162 mm)
Outlet	1-3/4" (44 mm) D.	
* Approximate measurements for comparison only.		

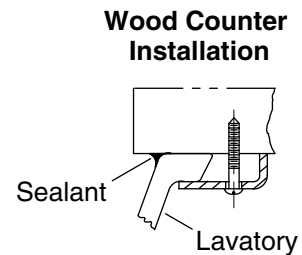
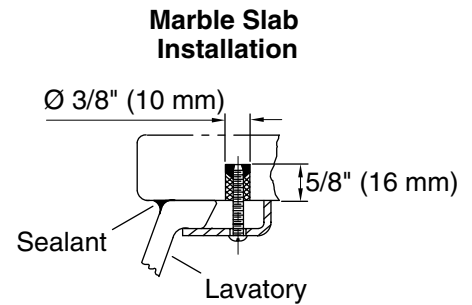
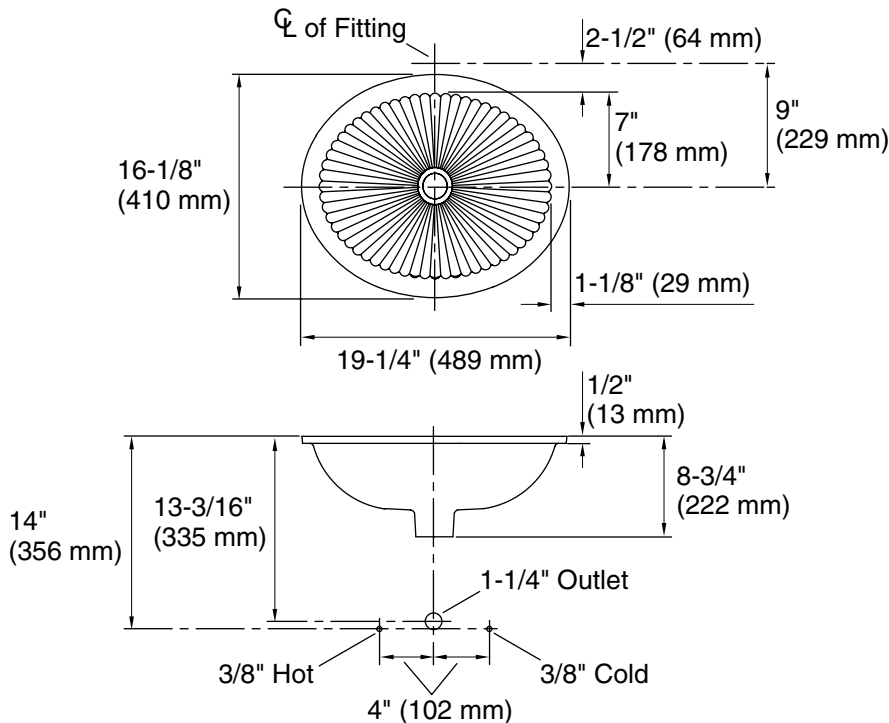
Included Components:	
Basin clamp assembly	52047
Adjustable linkage	40372
Cutout template	1151011-7

## Installation Notes

Install this product according to the installation guide.

Supplied basin clamp assemblies require 1" (25 mm) minimum countertop thickness. Installer must supply anchors for thinner countertops.

**NOTICE:** Countertop manufacturer or cutter must use the cutout template provided with the product, or a current one provided by Kohler (call 1-800-4-KOHLER). Kohler is not responsible for cutout errors when incorrect cutout template is used.



## Product Diagram