

UNDERCOUNTER LAVATORY K-2240

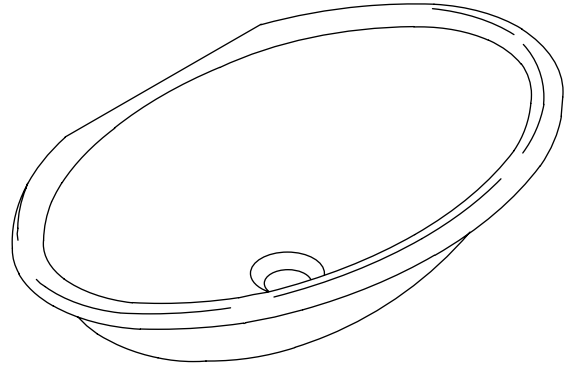
Features

- Vitreous china
- Undercounter
- With overflow
- Available with KOHLER Artist Editions designs
- 21-1/4" (54 cm) x 12-1/4" (31.1 cm)

Codes/Standards Applicable

Specified model meets or exceeds the following:

- ASME A112.19.2/CSA B45.1



Colors/Finishes

- 0: White
- Other: Refer to Price Book for additional colors/finishes

Accessories:

- CP: Polished Chrome
- Other: Refer to Price Book for additional colors/finishes

Specified Model

Model	Description	Colors/Finishes	
K-2240	21-1/4" (54 cm) x 12-1/4" (31.1 cm) undercounter lavatory	<input type="checkbox"/> 0 White	<input type="checkbox"/> Other_____
Recommended Accessory			
K-8998	P-trap	<input type="checkbox"/> CP	<input type="checkbox"/> Other_____

Product Specification

The undercounter lavatory shall be 21-1/4" (54 cm) in length and 12-1/4" (31.1 cm) in width. Lavatory shall be made of vitreous china. Lavatory shall be available with KOHLER Artist Editions designs. Lavatory shall have overflow. Lavatory shall be Kohler Model K-2240-_____.

VINTAGE®

Technical Information

Fixture*:		basin area	water depth
Lavatory		21" (53.3 cm) x 12" (30.5 cm)	4-7/8" (12.4 cm)
Drain hole	1-3/4" (4.4 cm) D.		
* Approximate measurements for comparison only.			

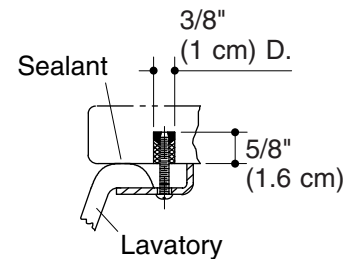
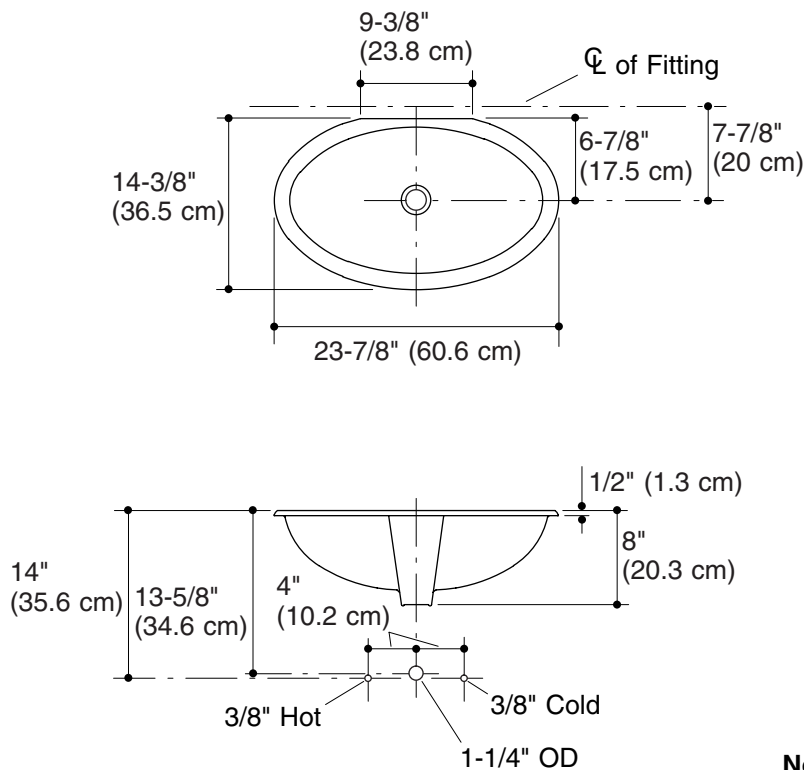
Included Components:	
Basin clamp assembly	52047
Adjustable linkage	40372
Cut-out template	1046699-7

Installation Notes

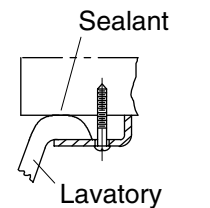
Install this product according to the installation guide.

Supplied basin clamp assemblies require 1" (2.5 cm) minimum countertop thickness. Installer must supply anchors for thinner countertops.

NOTICE: Countertop manufacturer or cutter must use the cut-out template provided with the product or a current one provided by Kohler (call 1-800-4-KOHLER). Kohler is not responsible for cut-out errors when an incorrect cut-out template is used.



Marble Slab Installation



Wood Counter Installation

Note: Waterproof unprotected overhang area on the underside of wood counter.

Product Diagram