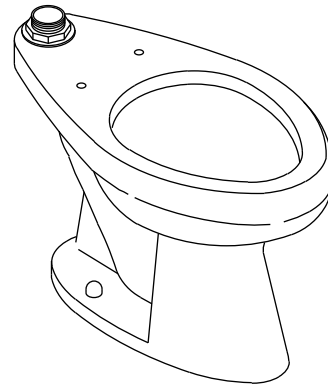


Features

- Vitreous china
- With bedpan lugs (-L)
- 1-1/2" top spud
- 10" (254 mm) or 12" (305 mm) rough-in
- 2-1/4" (57 mm) passageway
- 11-3/8" (289 mm) x 10-3/8" (264 mm) water area
- 1.6 gpf (6 lpf)
- 26" (660 mm) x 14-1/2" (368 mm) x 17-1/2" (445 mm)

**BOWL
K-4368**

ADA



Codes/Standards Applicable

Specified model meets or exceeds the following:

- ADA
- ASME A112.19.2/CSA B45.1
- ICC/ANSI A117.1

Colors/Finishes

- 0: White
- Other: Refer to Price Book for additional colors/finishes

Specified Model

Model	Description	Colors/Finishes	
K-4368	Elongated bowl toilet	<input type="checkbox"/> 0	<input type="checkbox"/> Other _____
K-4368-B	Elongated bowl toilet with 4 bolt holes in base	<input type="checkbox"/> 0	
K-4368-L	Elongated bowl toilet with bedpan lugs	<input type="checkbox"/> 0	<input type="checkbox"/> Other _____

Recommended Accessories

K-4654	Lustra™ open front seat with support arms and cover	<input type="checkbox"/> 0		
K-4654-A	Lustra open front seat with support arms and cover with anti-microbial agent	<input type="checkbox"/> 0		
K-4670-C	Lustra open front seat	<input type="checkbox"/> 0	<input type="checkbox"/> Other _____	
K-4670-CA	Lustra open front seat with anti-microbial agent	<input type="checkbox"/> 0		
K-10674	WAVE exposed toilet flushometer – 1.6 gpf (6 lpf)			<input type="checkbox"/> CP
K-10957	Touchless DC toilet flushometer – 1.6 gpf (6 lpf)			<input type="checkbox"/> CP
K-13516	Manual toilet flushometer – 1.6 gpf (6 lpf)			<input type="checkbox"/> CP

Product Specification

The elongated bowl shall be 10" (254 mm) or 12" (305 mm) rough-in with a 1-1/2" top spud. Bowl shall be made of vitreous china. Bowl shall be 1.6 gpf (6 lpf). Bowl shall have 11-3/8" (289 mm) by 10-3/8" (264 mm) water area. Bowl shall have 2-1/4" (57 mm) passageway. Bowl shall have bedpan lugs (-L). Bowl shall be 26" (660 mm) in length, 14-1/2" (368 mm) in width, and 17-1/2" (445 mm) in height. Bowl shall be Kohler Model K-4368-_____-_____.

HIGHCLIFF™

Technical Information

Fixture:	
Configuration	Top spud, elongated
Water per flush	1.6 gal (6 L)*
Spud size	1-1/2"
Passageway	2-1/4" (57 mm)
Water area	11-3/8" (289 mm) x 10-3/8" (264 mm)
Water depth from rim	6" (152 mm)
Seat post hole centers	5-1/2" (140 mm)
Minimum static pressure required	35 psi (241.3 kPa)
Maximum static pressure	80 psi (551.6 kPa)
Minimum flowing pressure required	25 psi (172.4 kPa)
Required supply minimum	25 gpm (94.6 lpm)
* Designed to flush with 1.6 gal (6 L) of water when installed with a 1.6 gpf (6 lpf) valve.	

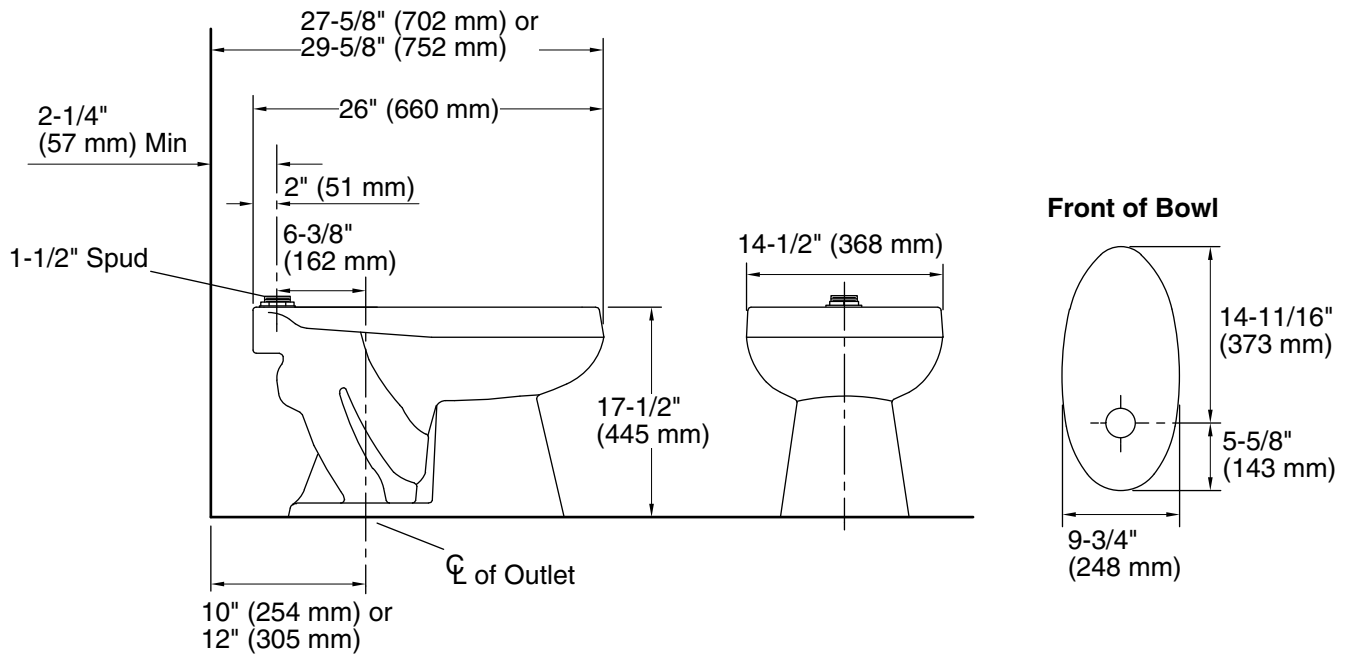
Included components:	
Spud	18357
Bolt cap accessory pack	1013092

Installation Notes

Install this product according to the installation guide.

Refer to manufacturer and local codes for flushometer requirements: for 12" (305 mm) rough-in, sweat extension nipple is required.

Will comply with the American Disabilities Act (**ADA**) when installed per the requirements of the Accessibility Guidelines, Section 604 Water Closets, of the Act. The Model Plumbing Codes require the installation of elongated open-front toilet seats in public bathrooms.



Product Diagram