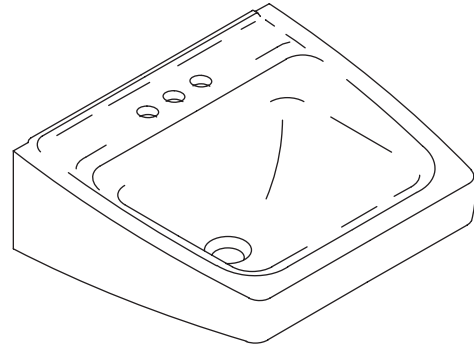


Features

- Vitreous china
- Ledge-back
- With hanger
- With overflow
- Drilled for concealed arm carrier
- 8" (20.3 cm) centers (K-1724), 4" (10.2 cm) centers (K-1728) or single-hole (K-1722)
- 19-1/4" (48.9 cm) x 17-1/4" (43.8 cm)

WALL-MOUNT LAVATORY **K-1722** ALSO K-1724, K-1728

ADA



Codes/Standards Applicable

Specified model meets or exceeds the following:

- ADA
- ASME A112.19.2/CSA B45.1
- ICC/ANSI A117.1

Colors/Finishes

- 0: White
- Other: Refer to Price Book for additional colors/finishes

Accessories:

- CP: Polished Chrome

Specified Model

Model	Description	Colors/Finishes	
K-1724	8" (20.3 cm) centers lavatory	<input type="checkbox"/> 0	<input type="checkbox"/> Other_____
K-1728	4" (10.2 cm) centers lavatory	<input type="checkbox"/> 0	<input type="checkbox"/> Other_____
K-1722	Single-hole lavatory	<input type="checkbox"/> 0	<input type="checkbox"/> Other_____
Recommended Accessories			
K-8998	P-Trap	<input type="checkbox"/> CP	

Product Specification

The wall-mount lavatory shall be made of vitreous china. Lavatory shall be ledge-back with hanger. Lavatory shall have overflow. Lavatory shall be drilled for concealed arm carrier. Lavatory shall have 8" (20.3 cm) centers (K-1724), 4" (10.2 cm) centers (K-1728), or single-hole (K-1722). Lavatory shall be 19-1/4" (48.9 cm) in length and 17-1/4" (43.8 cm) in width. Lavatory shall be Kohler Model K-_____-_____.

CHESAPEAKE™

Technical Information

Fixture is ADA compliant.		ADA
Fixture*:		
Basin area	14" (35.6 cm) x 11" (27.9 cm)	
Water depth	4-7/8" (12.4 cm)	
Drain hole	1-3/4" (4.4 cm) D.	
* Approximate measurements for comparison only.		

Holes	K-1724	K-1728	K-1722
Spout	1-3/8" (3.5 cm) D.	1-1/4" (3.2 cm) D.	1-3/8" (3.5 cm) D.
Faucet	1-3/8" (3.5 cm) D.	1-1/4" (3.2 cm) D.	NA

Included component:	
Hanger	64839

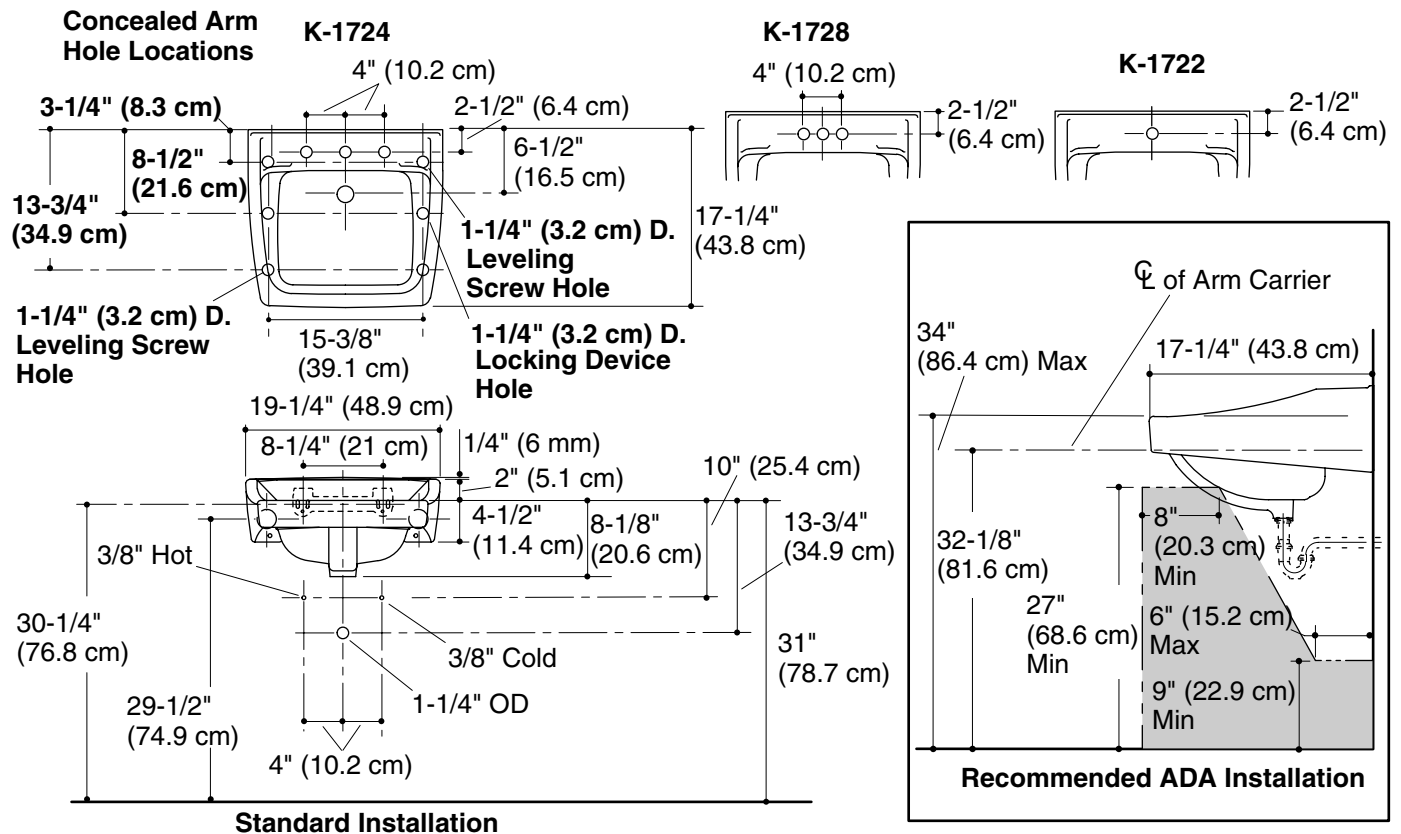
Installation Notes

Install this product according to the installation guide.

Concealed arm carrier **NOT** supplied by Kohler Co.

Supplied hanger not used with concealed arm carrier.

Supply dimensions are based on a 12" (30.5 cm) riser which may require cutting.



Product Diagram