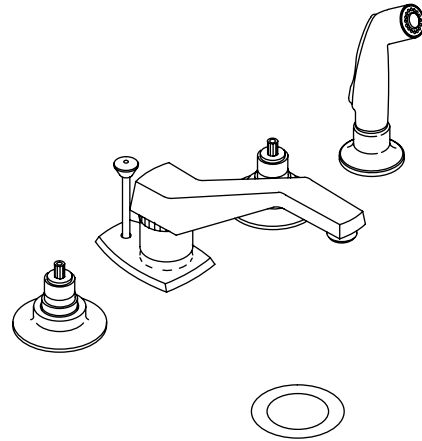


LAVATORY BASE FAUCET K-7449-K

ADA

Features

- Brass construction
- For 8" (20.3 cm) centers
- Brass valve bodies
- Quarter-turn washerless ceramic disc valves
- 6-1/2" (16.5 cm) swing spout
- 2.0 gallons (7.6 L) per minute flow rate [max at 60 psi (4.14 bar)]
- Pop-up drain with lift rod and tailpiece
- White shampoo spray
- Variety of handle style options
- Intended for Lady Vanity® lavatory installations



Codes/Standards Applicable

Specified model meets or exceeds the following:





- ADA
- ASME A112.18.1/CSA B125.1
- ICC/ANSI A117.1
- Energy Policy Act of 1992
- NSF 61

Colors/Finishes

- CP: Polished Chrome

Specified Model

For complete faucet, both base faucet and handle choice must be specified.

Model	Description	Colors/Finishes			
K-7449-K	Triton® lavatory base faucet	<input type="checkbox"/> CP			
Required Accessories (Includes Two Handles)			 ADA	 ADA	 ADA
K-16012-2	Triton standard handles	<input type="checkbox"/> CP			
K-16012-3	Triton cross handles	<input type="checkbox"/> CP			
K-16012-4	Triton lever handles			<input type="checkbox"/> CP	
K-16012-5	Triton wristblade lever handles				<input type="checkbox"/> CP

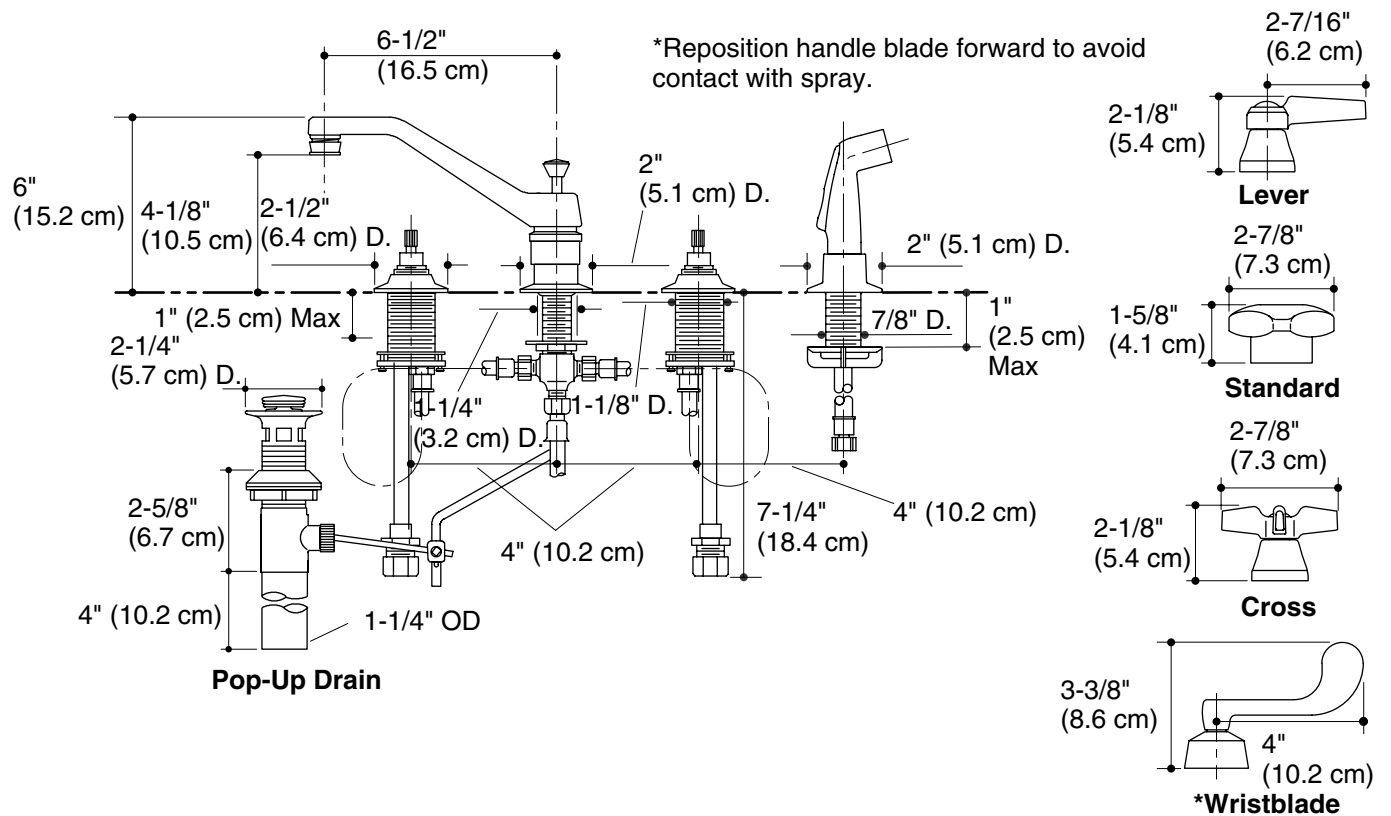
Product Specification

Two-handle widespread lavatory shampoo base faucet shall be of brass construction. Faucet shall feature brass valve bodies. Faucet shall feature quarter-turn washerless ceramic disc valves, assuring positive handle stop positioning. Product is intended for Lady Vanity® lavatory installations. Product shall include 8" (20.3 cm) centers, 6-1/2" (16.5 cm) swing spout, pop-up drain with lift rod and tailpiece, and white shampoo spray. Base faucet shall be Kohler Model K-7449-K-CP and handles shall be Kohler Model K-16012-_____-CP.

TRITON®

Installation Notes

Install this product according to the installation guide.



Product Diagram