

**BATH VALVE TRIM
K-T16124**

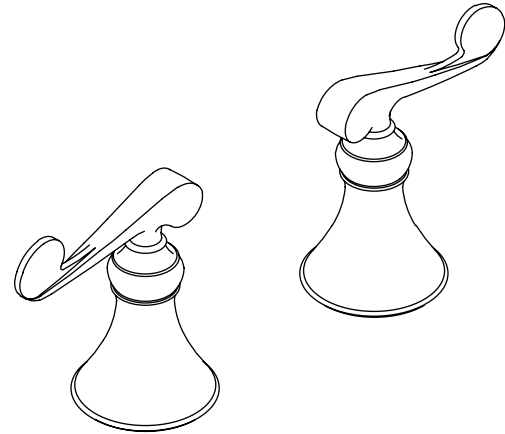
Features

- Brass construction
- Bath- or deck-mount
- Available with scroll or traditional handle(s)

Codes/Standards Applicable

Specified model meets or exceeds the following:

- ASME A112.18.1/CSA B125.1
- IAPMO/cUPC





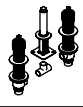
Colors/Finishes

- CP: Polished Chrome
- PB: Vibrant® Polished Brass
- Other: Refer to Price Book for additional colors/finishes

Accessories:

- NA: None applicable

Specified Model

Model	Description	ADA 			ADA 		
		<input type="checkbox"/> CP	<input type="checkbox"/> PB	<input type="checkbox"/> Other_____	<input type="checkbox"/> CP	<input type="checkbox"/> PB	<input type="checkbox"/> Other_____
K-T16124-4	Bath valve trim with scroll handles	<input type="checkbox"/> CP	<input type="checkbox"/> PB	<input type="checkbox"/> Other_____			
K-T16124-4A	Bath valve trim with traditional Handles				<input type="checkbox"/> CP	<input type="checkbox"/> PB	<input type="checkbox"/> Other_____
Required Accessories							
K-300-K	1/2" High-flow ceramic disc valve system						<input type="checkbox"/> NA

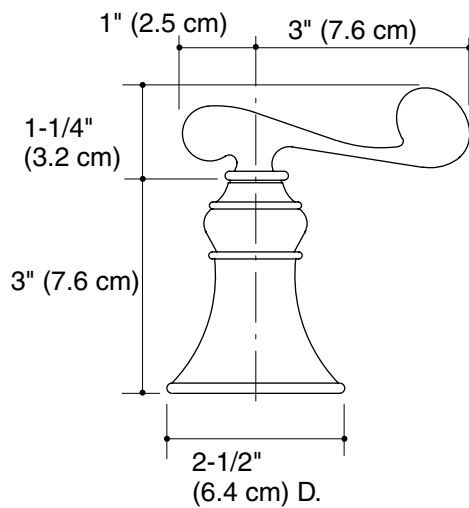
Product Specification

Two-handle bath- or deck-mount high-flow bath valve trim shall be of brass construction. Trim shall be available with scroll or traditional handles. Trim shall be Kohler Model K-T16124-_____-_____, and valve system shall be K-300-K-NA.

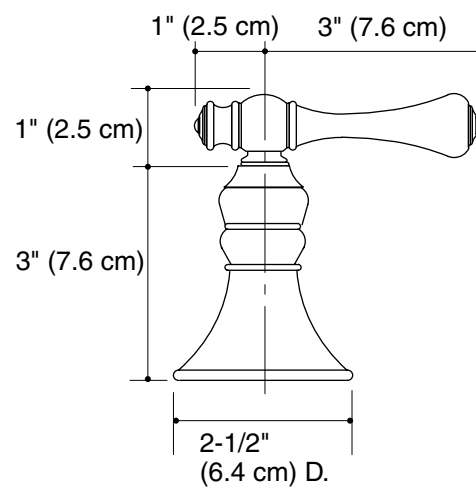
REVIVAL®

Installation Notes

Install this product according to the installation guide.



Scroll



Traditional

Product Diagram