

**IV GEORGES BRASS®**

**BATH FAUCET TRIM  
K-T6906**

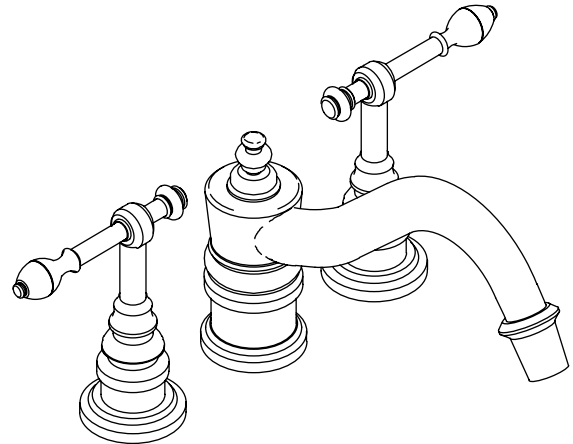
**Features**

- Brass construction
- Deck-mount
- Available with cross or lever handles
- 9-5/8" (24.4 cm) Roman non-diverter bath spout with slip-fit connection

**Codes/Standards Applicable**

Specified model meets or exceeds the following:

- ASME A112.18.1/CSA B125.1
- IAPMO/UPC





**Colors/Finishes**

- PB: Vibrant® Polished Brass
- Other: Refer to Price Book for additional colors/finishes

**Accessories**

- CP: Polished Chrome
- PB: Vibrant® Polished Brass
- Other: Refer to Price Book for additional colors/finishes
- NA: None applicable

**Specified Model**

Model	Description		
K-T6906-3	Bath faucet trim with cross handles	<input type="checkbox"/> PB <input type="checkbox"/> Other_____	
K-T6906-4	Bath faucet trim with lever handles		<input type="checkbox"/> PB <input type="checkbox"/> Other_____
<b>Required Accessories</b>			
K-301-K	3/4" high-flow ceramic disc valve system		<input type="checkbox"/> NA

**Product Specification**

Two-handle deck-mount high-flow bath faucet trim shall be of brass construction. Product shall include 9-5/8" (24.4 cm) Roman non-diverter spout with slip-fit connection, and cross or lever handles. Faucet trim shall be Kohler Model K-T6906-\_\_\_\_\_-\_\_\_\_\_-\_\_\_\_\_- and valve system shall be K-301-K-NA.

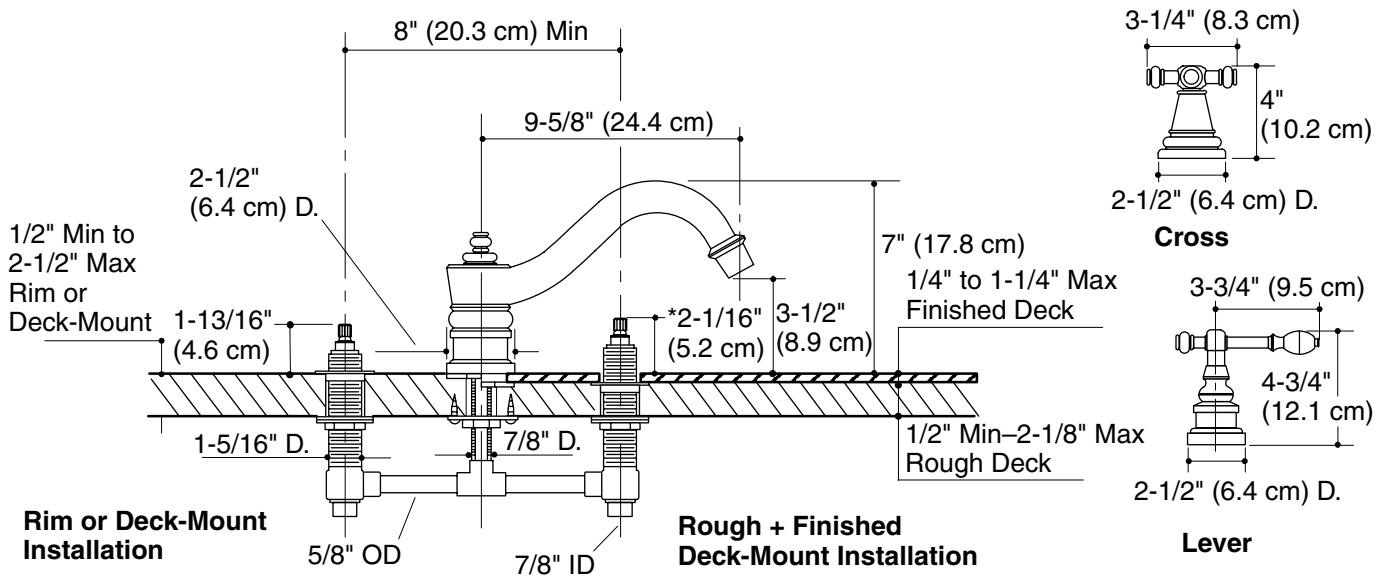
# IV GEORGES BRASS®

Optional Accessories			
K-6792	IV Georges brass accent kit	<input type="checkbox"/> PB	<input type="checkbox"/> Other_____
K-6795	IV Georges brass accent kit	<input type="checkbox"/> PB	<input type="checkbox"/> Other_____
K-6797	IV Georges brass accent kit	<input type="checkbox"/> PB	<input type="checkbox"/> Other_____
58598	Deep roughing-in for high-flow deck-mount bath faucets (all handles)	<input type="checkbox"/> CP	<input type="checkbox"/> Other_____

## Installation Notes

Install this product according to the installation guide.

\*Dimension allows  $\pm 1/4"$  (6 mm) handle adjustment during handle trim installation.



## Product Diagram