

**BATH FAUCET TRIM  
K-T16119**

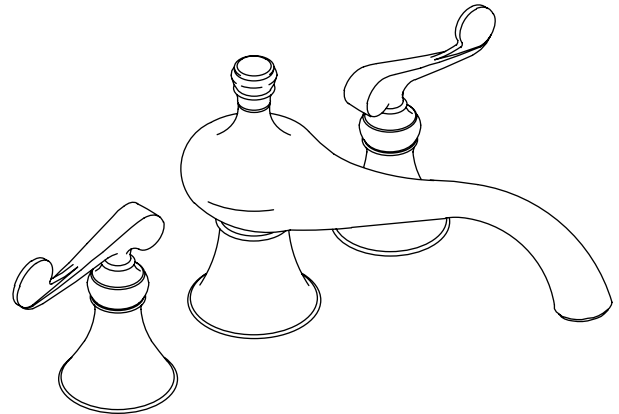
**Features**

- Brass construction
- Deck-mount
- Available with scroll or traditional lever handles
- 9-5/8" (24.4 cm) non-diverter spout with slip-fit connection

**Codes/Standards Applicable**

Specified model meets or exceeds the following:

- ASME A112.18.1
- CSA International
- IAPMO/UPC





**Colors/Finishes**

- CP: Polished Chrome
- PB: Vibrant® Polished Brass
- Other: Refer to Price Book for additional colors/finishes

**Accessories**

- CP: Polished Chrome
- Other: Refer to Price Book for additional colors/finishes
- NA: None applicable

**Specified Model**

Model	Description						
K-T16119-4	Bath faucet trim with scroll handles	<input type="checkbox"/> CP	<input type="checkbox"/> PB	<input type="checkbox"/> Other_____			
K-T16119-4A	Bath faucet trim with traditional handles				<input type="checkbox"/> CP	<input type="checkbox"/> PB	<input type="checkbox"/> Other_____

**Product Specification**

Two-handle deck-mount high-flow bath faucet trim shall be of brass construction. Bath faucet trim shall include 9-5/8" (24.4 cm) non-diverter spout with slip-fit connection, and available with scroll or traditional handles. Bath faucet trim shall be Kohler Model K-T16119-\_\_\_\_\_-\_\_\_\_\_- and valve system shall be K-\_\_\_\_\_-\_\_\_\_\_-NA.

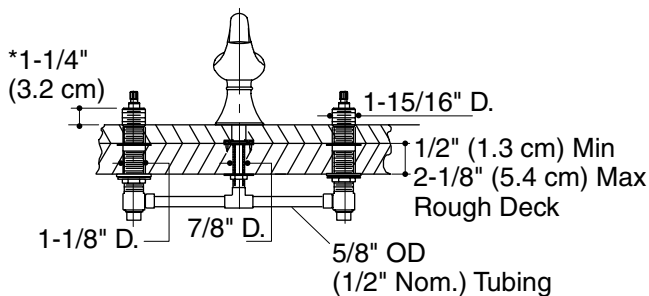
# REVIVAL®

Required Accessories			
K-300-K	1/2" high-flow ceramic disc valve system <b>OR</b>	<input type="checkbox"/> NA	
K-300-KR	1/2" high-flow ceramic disc valve system with rigid connections <b>OR</b>	<input type="checkbox"/> NA	
K-301-K	3/4" high-flow ceramic disc valve system	<input type="checkbox"/> NA	
Optional Accessories			
58598	Deep roughing-in kit for high-flow deck-mount bath faucets (all handles)	<input type="checkbox"/> CP	<input type="checkbox"/> Other _____
73102	Deep roughing-in kit for high-flow deck-mount bath faucets (all handles)	<input type="checkbox"/> NA	

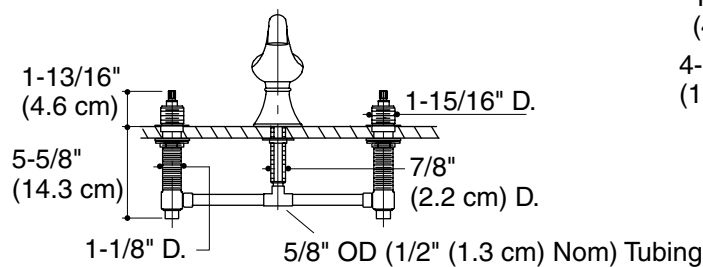
## Installation Notes

Install this product according to the installation guide.

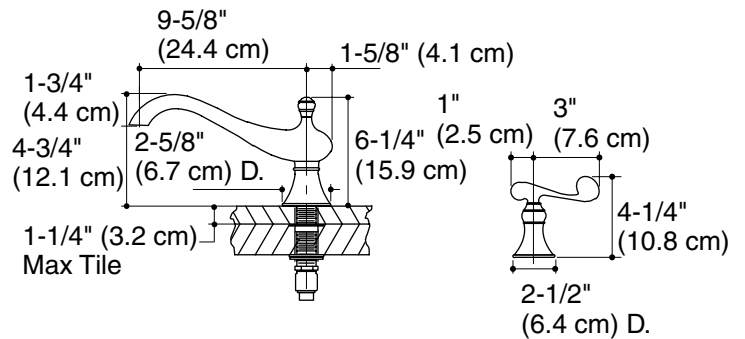
\* Dimension allows +/- 1/4" (6 mm) adjustment during handle trim installation



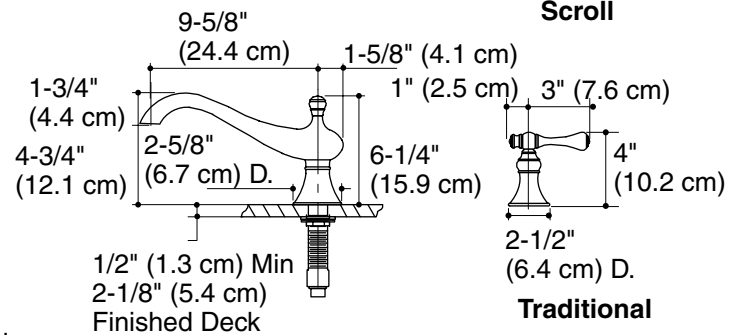
**Rough Deck With Finish Material (Tile) Installation**



**Finished Deck Installation**



**Scroll**



**Traditional**

## Product Diagram