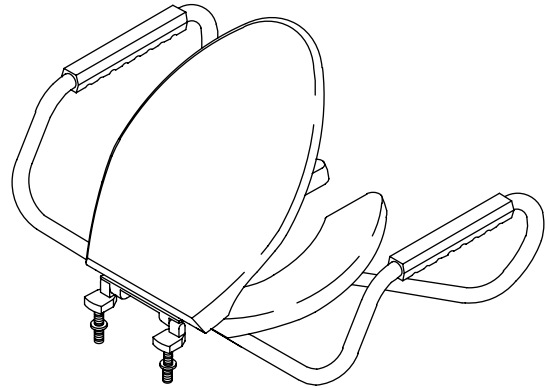


Features

- *Elongated front*
- *Solid polypropylene plastic*
- *With cover*
- *Available with open or closed front*
- *With support arms*
- *Includes an anti-microbial agent formed into the plastic which inhibits the growth of bacteria and germs on the toilet seat*
- *3/8" stainless steel mounting studs*

COMMERCIAL TOILET SEAT K-4654-A ALSO K-4655-A



Codes/Standards Applicable

Specified model meets or exceeds the following:

- *ANSI Z124.5*

Colors/Finishes

- 0: White

Specified Model

Model	Description	Colors/Finishes
K-4654-A	Elongated open front seat with support arms, cover with anti-microbial agent	<input type="checkbox"/> 0
K-4655-A	Elongated closed front seat with support arms, cover with anti-microbial agent	<input type="checkbox"/> 0

Product Specification

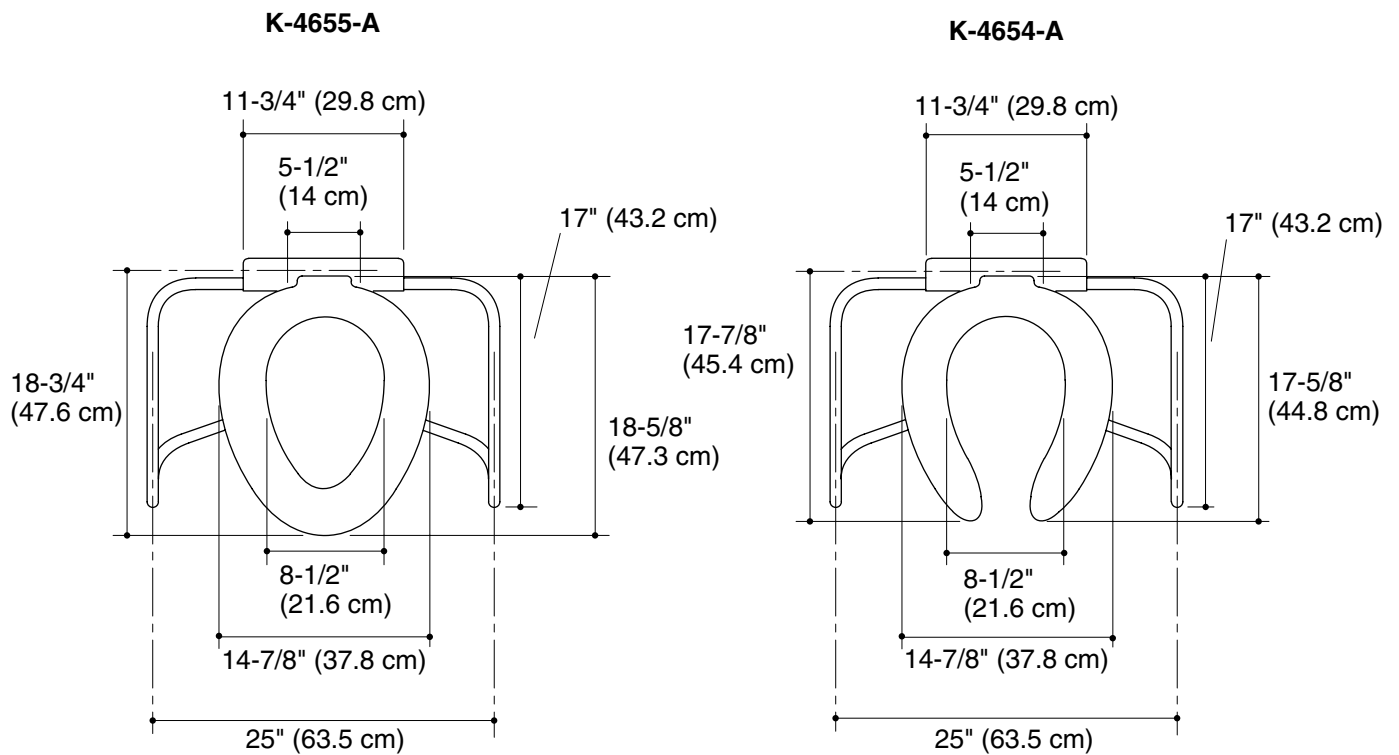
The elongated toilet seat with cover shall be made of solid plastic. Toilet seat shall be available with open or closed front. Toilet seat shall have support arms and 3/8" stainless steel mounting studs. Toilet seat shall be available with an anti-microbial agent which inhibits the growth of bacteria and germs (K-4654-A-0 or K-4655-A-0). Toilet seat shall be Kohler Model K-_____-_____-0.

LUSTRA™

Installation Notes

Install this product according to the installation guide.

NOTE: These toilet seats cannot be installed onto one piece toilets that have pre-installed anchor nuts.



Product Diagram