

**Features**

- Brass construction
- Intended for use with Rite-Temp® or HiFlow Rite-Temp® valves

**BATH AND SHOWER FAUCET TRIM**

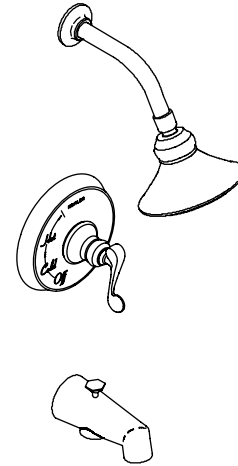
**K-T16113**

ALSO K-T16114, K-16117

**Codes/Standards Applicable**

Specified model meets or exceeds the following:

- ASME A112.18.1/CSA B125.1





**Colors/Finishes**

- CP: Polished Chrome
- PB: Vibrant® Polished Brass
- Other: Refer to Price Book for additional colors/finishes

**Accessories**

- NA: None applicable

**Specified Model**

Model	Description						
		<input type="checkbox"/> CP	<input type="checkbox"/> PB	<input type="checkbox"/> Other____	<input type="checkbox"/> CP	<input type="checkbox"/> PB	<input type="checkbox"/> Other____
K-T16113-4	Bath and shower trim, scroll handle	<input type="checkbox"/> CP	<input type="checkbox"/> PB	<input type="checkbox"/> Other____			
K-T16113-4A	Bath and shower trim, traditional handle				<input type="checkbox"/> CP	<input type="checkbox"/> PB	<input type="checkbox"/> Other____
K-T16114-4	Shower only trim, scroll handle	<input type="checkbox"/> CP	<input type="checkbox"/> PB	<input type="checkbox"/> Other____			
K-T16114-4A	Shower only trim, traditional handle				<input type="checkbox"/> CP	<input type="checkbox"/> PB	<input type="checkbox"/> Other____
K-T16117-4	Valve only trim, scroll handle	<input type="checkbox"/> CP	<input type="checkbox"/> PB	<input type="checkbox"/> Other____			
K-T16117-4A	Valve only trim, traditional handle				<input type="checkbox"/> CP	<input type="checkbox"/> PB	<input type="checkbox"/> Other____

**Product Specification**

The bath and shower faucet trim shall be made of brass construction. Faucet trim shall be intended for use with Rite-Temp or HiFlow Rite-Temp valves. Faucet trim shall be K-T \_\_\_\_\_ - \_\_\_\_\_ - \_\_\_\_\_ and Rite-Temp® valve shall be K-304- \_\_\_\_\_ -NA OR K-2971-KS-NA HiFlow Rite-Temp valve.

# REVIVAL®

## Required Accessories

K-304-*	Rite-Temp® valve <b>OR</b>	<input type="checkbox"/> NA
K-2971-KS	HiFlow Rite-Temp valve with stops	<input type="checkbox"/> NA

\* For a complete listing of all the Rite-Temp valves, refer to the K-304-\* Specification Sheet or Roughing-In Sheet.

## Optional Accessories

88526	HiFlow Rite-Temp® thin wall installation kit	<input type="checkbox"/> CP	<input type="checkbox"/> Other _____
1030932	Deep roughing-in kit for Rite-Temp® valve (all handles)	<input type="checkbox"/> NA	

## Installation Notes

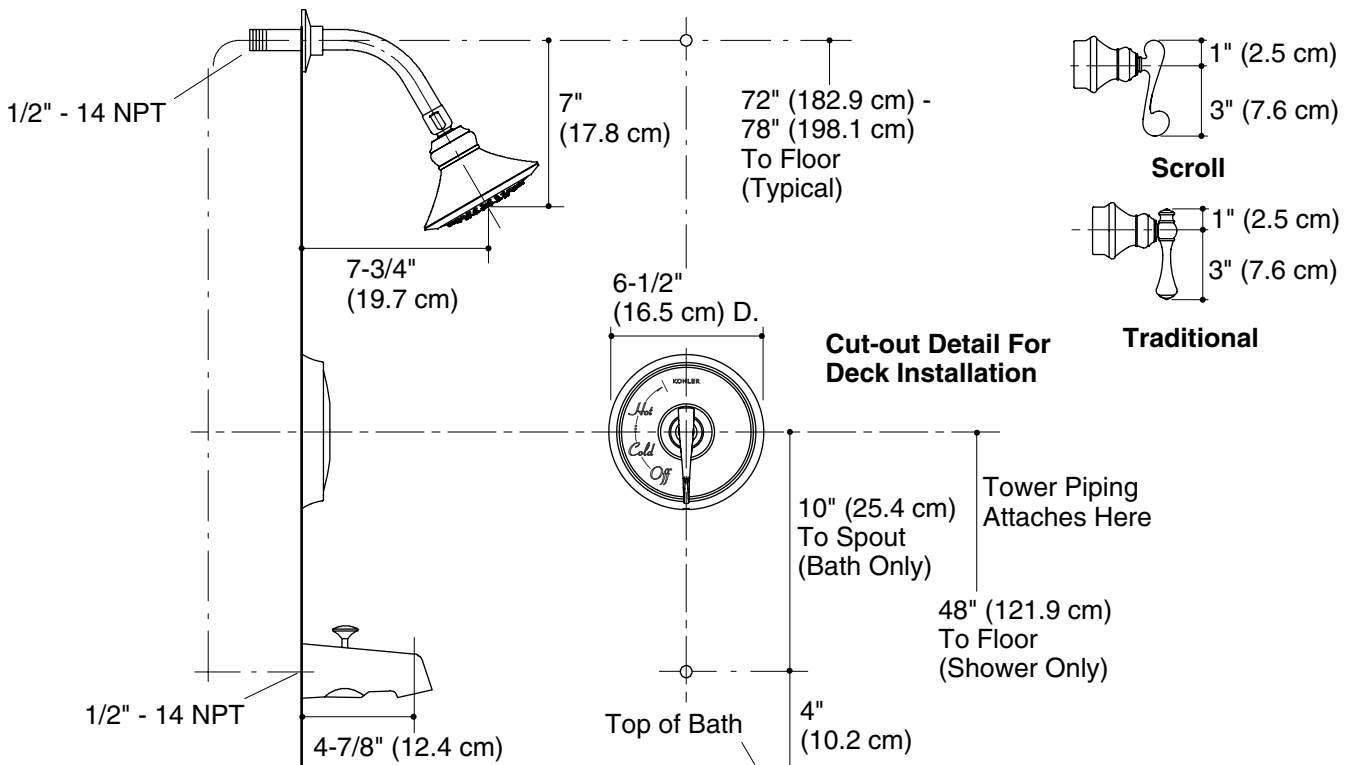
Install this product according to the installation guide.

**NOTICE: Risk of product damage.** Long screws, for installing trim, can damage the K-2971-KS valve. Consult the trim installation guide to verify if the thin wall installation kit (88526) is needed.

Avoid cross-flow conditions. Do not install shut-off device on either valve outlet.

Cap shower outlet if deck-mount spout, diverter, or handshower is connected to spout outlet

Install straight pipe or tube drop of 7" (17.8 cm) to 18" (45.7 cm) with single elbow between valve and wall-mount spout.



## Product Diagram