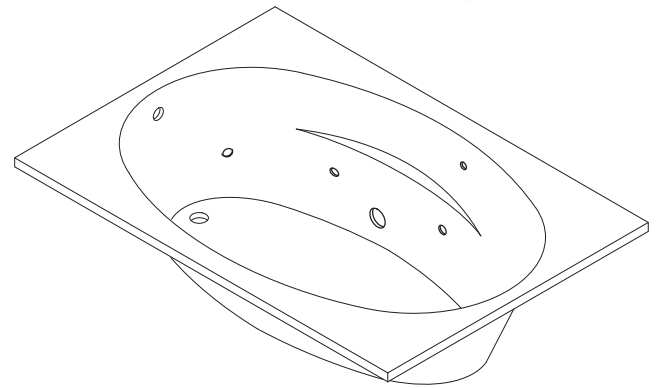


Features

- Acrylic
- Pump with air switch and grounding-type plug-in cord
- Molded lumbar supports and armrests
- Optional K-1717 timer kit
- Optional K-9696 whirlpool trim kit in various finishes
- 6 individually adjustable ProFlex® hydro-massage jets
- Optional K-1284 removable apron
- For drop-in [K-1139] or alcove [K-1139-L, K-1139-R] installations
- 60" (1524 mm) x 36" (914 mm) x 18-1/8" (460 mm)



Codes/Standards Applicable

Specified model meets or exceeds the following:

- ANSI Z124.1.2
- UL 1795
- ASME A112.19.7
- ASTM E162
- ASTM E662

Colors/Finishes

- 0: White
- Other: Refer to Price Book for additional colors/finishes

Accessories

- CP: Polished Chrome
- PB: Vibrant® Polished Brass
- Other: Refer to Price Book for additional colors/finishes
- NA: None applicable

Specified Model

Model	Description	Colors/Finishes	
K-1139	Bath whirlpool – drop-in (shown)	<input type="checkbox"/> 0	<input type="checkbox"/> Other_____
K-1139-L	Bath whirlpool – tile flange, left drain	<input type="checkbox"/> 0	<input type="checkbox"/> Other_____
K-1139-R	Bath whirlpool – tile flange, right drain	<input type="checkbox"/> 0	<input type="checkbox"/> Other_____

Recommended Accessories

K-7213	Clearflo bath cable drain with PVC tubing	<input type="checkbox"/> CP		<input type="checkbox"/> Other_____
K-7214	Clearflo bath cable drain without PVC tubing	<input type="checkbox"/> CP		<input type="checkbox"/> Other_____
K-11677	Adjustable trip lever drain	<input type="checkbox"/> CP	<input type="checkbox"/> PB	

Optional Accessories

K-1284	Removable apron	<input type="checkbox"/> 0			<input type="checkbox"/> Other_____
K-1717	20-minute timer kit			<input type="checkbox"/> NA	
K-9696	Jet trim kit (metal finishes)		<input type="checkbox"/> CP	<input type="checkbox"/> PB	<input type="checkbox"/> Other_____

Product Specification

The acrylic bath whirlpool shall be 60" (1524 mm) in length, 36" (914 mm) in width, and 18-1/8" (460 mm) in height. Product shall have 6 individually adjustable ProFlex hydro-massage jets, molded lumbar supports and armrests, and a pump with air switch and grounding-type plug-in cord. Product shall be for drop-in [K-1139] or alcove [K-1139-L, K-1139-R] installations. Product shall have an optional K-1284 removable apron, optional K-1717 timer kit, and optional K-9696 whirlpool trim kit in various finishes. Bath whirlpool shall be Kohler Model K-1139-____-____.

PROFLEX® 6036

Technical Information

Fixture*:	
Basin area:	
Bathing well	46" (1168 mm) x 15" (381 mm)
Top area	55" (1397 mm) x 25" (635 mm)
Weight	55 lbs (25 kg)
To overflow	
Water depth	14" (356 mm)
Capacity	57 gal (216 L)
* Approximate measurements for comparison only.	
Drop-in cutout	58-1/2" (1486 mm) x 34-1/2" (876 mm)
Pump:	V Hz A
1-speed	120 60 7.5
Minimum access panel (required):	20" (508 mm) x 15" (381 mm)

Required Electrical Service

Dedicated circuit required, protected with Class A Ground-Fault Circuit-Interrupter (GFCI):	
Pump/control	120 V, 15 A, 60 Hz
Locate the outlet behind the whirlpool and within 24" (610 mm) of the pump.	

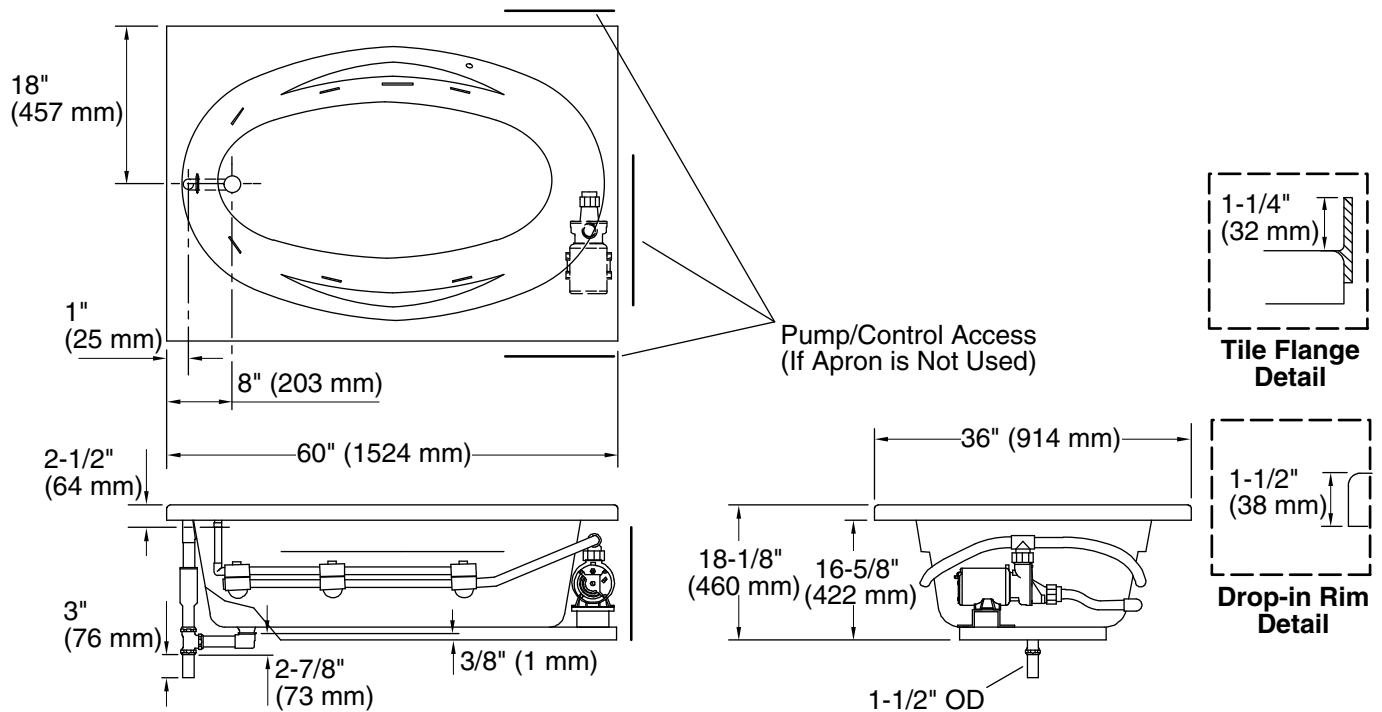
Installation Notes

Install this product according to the installation guide.

Floor support under whirlpool must provide for a minimum of 37 lbs/square foot (181 kg/square meter) loading.

The apron must be installed before the finished floor and wall materials are installed.

No change in measurements if connected with drain illustrated. (K-11677)



Product Diagram