

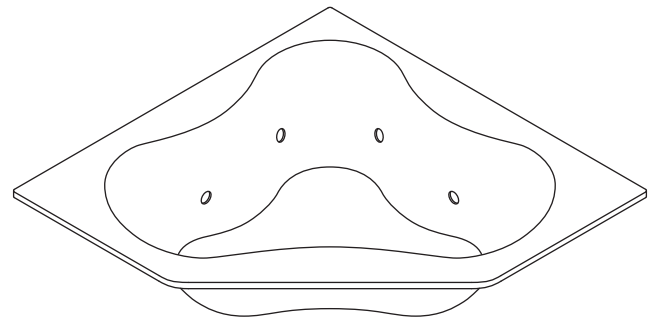
#### Features

- Acrylic
- Molded lumbar supports and armrests
- 6 individually adjustable ProFlex® hydro-massage jets
- Drop-in
- Optional K-9696 whirlpool trim kit in various finishes
- Pump with air switch and grounding-type plug-in cord
- Tile flange on two sides for corner installation [K-1154-F]
- 54" (1372 mm) x 54" (1372 mm) x 20-1/2" (521 mm)

#### Codes/Standards Applicable

Specified model meets or exceeds the following:

- ASME A112.19.7
- ANSI Z124.1.2
- UL 1795
- ASTM E162
- ASTM E662



#### Colors/Finishes

- 0: White
- Other: Refer to Price Book for additional colors/finishes

#### Accessories

- 0: White
- CP: Polished Chrome
- PB: Vibrant® Polished Brass
- Other: Refer to Price Book for additional colors/finishes

#### Specified Model

Model	Description	Colors/Finishes	
K-1154	Bath whirlpool – drop-in	<input type="checkbox"/> 0	<input type="checkbox"/> Other _____
K-1154-F	Bath whirlpool – tile flange	<input type="checkbox"/> 0	<input type="checkbox"/> Other _____

Recommended Accessories				
K-7213	Clearflo bath cable drain with PVC tubing	<input type="checkbox"/> CP		<input type="checkbox"/> Other _____
K-7214	Clearflo bath cable drain without PVC tubing	<input type="checkbox"/> CP		<input type="checkbox"/> Other _____
K-11677	Adjustable trip lever bath drain	<input type="checkbox"/> CP	<input type="checkbox"/> PB	

#### Product Specification

The acrylic bath whirlpool shall be 54" (1372 mm) in length, 54" (1372 mm) in width, and 20-1/2" (521 mm) in height. Product shall be drop-in or tile flange on two sides for corner installation [K-1154-F]. Product shall have 6 individually adjustable ProFlex hydro-massage jets, a pump with air switch and grounding-type plug-in cord. Product shall have molded lumbar supports and armrests. Product shall have an optional K-9696 whirlpool trim kit in various finishes. Bath whirlpool shall be Kohler Model K-1154-\_\_\_\_\_-\_\_\_\_\_.

# PROFLEX® 5454

## Optional Accessories

K-1491	Pillow	<input type="checkbox"/> 0			<input type="checkbox"/> Other _____
K-1601	Footstop	<input type="checkbox"/> 0			<input type="checkbox"/> Other _____
K-9696	Jet trim kit (metal finishes)		<input type="checkbox"/> CP	<input type="checkbox"/> PB	<input type="checkbox"/> Other _____

## Technical Information

Fixture*:	
Basin area:	
Bathing well	44" (1118 mm) x 36" (914 mm)
Top area	56" (1422 mm) x 43" (1092 mm)
Weight	65 lbs (29.5 kg)
To overflow:	
Water depth	15" (381 mm)
Capacity	76 gal (287.7 L)
* Approximate measurements for comparison only.	

Pump:	V	Hz	A
1-speed	120	60	7.5

## Required Electrical Service

Dedicated circuit required, protected with Class A Ground-Fault Circuit-Interrupter (GFCI):

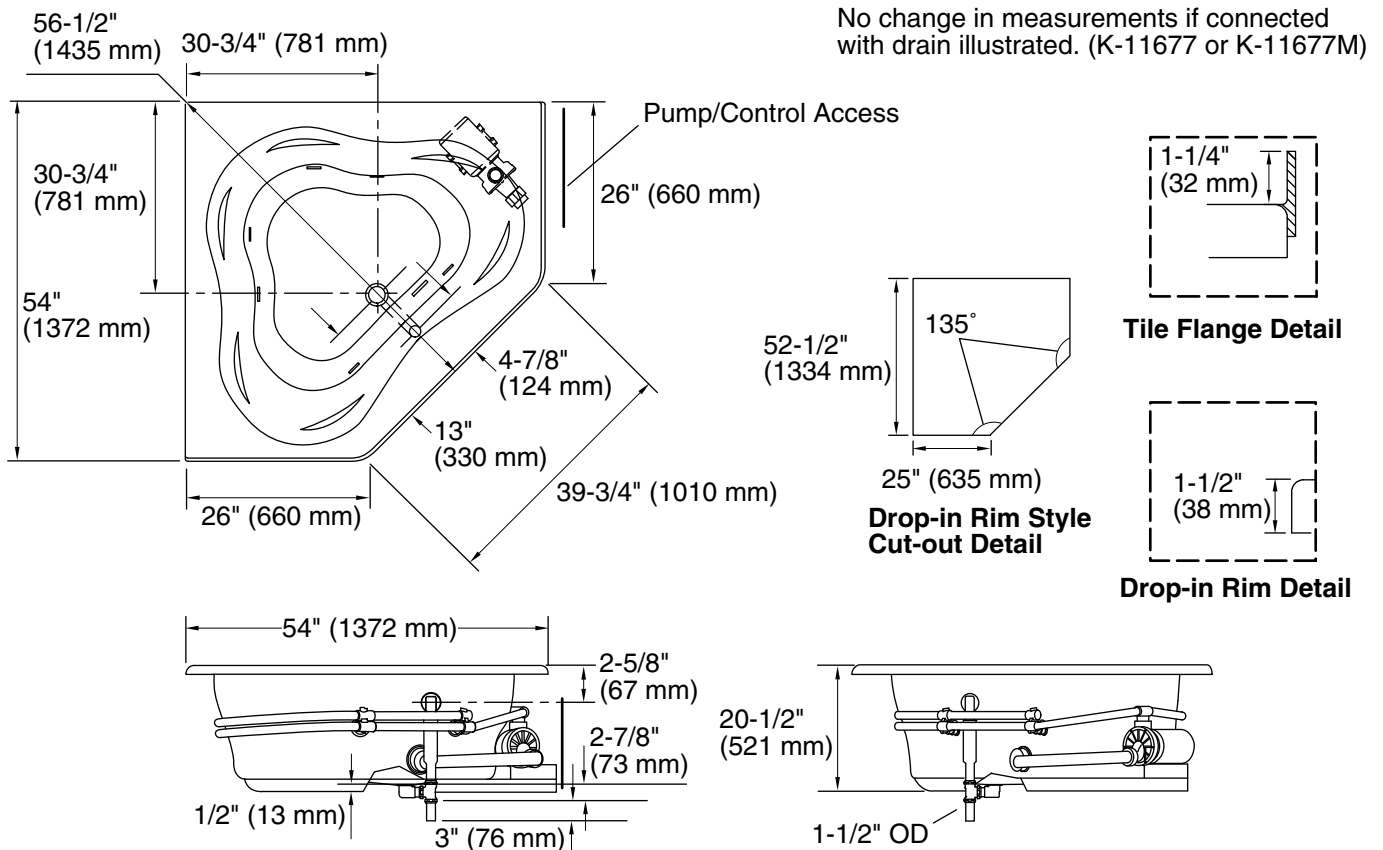
Pump/control 120 V, 15 A, 60 Hz

Locate the outlet behind the whirlpool and within 24" (610 mm) of the pump.

## Installation Notes

Install this product according to the installation guide.

Floor support under whirlpool must provide for a minimum of 36 lbs/square foot (175 kg/square meter) loading.



## Product Diagram