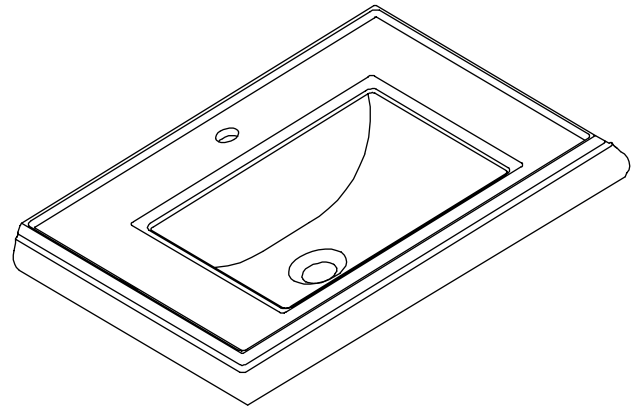


Features

- Vitreous china
- Self-rimming
- ADA compliant when installed according to ADA guidelines
- With overflow
- 8" (20.3 cm) centers (-8), 4" (10.2 cm) centers (-4), or single-hole (-1)
- Available with KOHLER Artist Editions designs
- 22-3/4" (57.8 cm) x 18" (45.7 cm)

LAVATORY
K-2241
ALSO 14229

ADA



Codes/Standards Applicable

Specified model meets or exceeds the following:

- ADA
- ASME A112.19.2/CSA B45.1
- ICC/ANSI A117.1

Colors/Finishes

- 0: White
- Other: Refer to Price Book for additional colors/finishes

Accessories

- CP: Polished Chrome
- Other: Refer to Price Book for additional colors/finishes

Specified Model

Model	Description	Colors/Finishes	
K-2241-1	Lavatory with single hole	<input type="checkbox"/> 0	<input type="checkbox"/> Other_____
K-2241-4	Lavatory with 4" (10.2 cm) centers	<input type="checkbox"/> 0	<input type="checkbox"/> Other_____
K-2241-8	Lavatory with 8" (20.3 cm) centers	<input type="checkbox"/> 0	<input type="checkbox"/> Other_____
K-14229	Lavatory with 8" (20.3 cm) centers - Artist Editions	<input type="checkbox"/> 0	<input type="checkbox"/> Other_____

Recommended Accessories			
K-8998	P-trap	<input type="checkbox"/> CP	<input type="checkbox"/> Other_____

Product Specification

The self-rimming lavatory shall be 22-3/4" (57.8 cm) in length, and 18" (45.7 cm) in width. Lavatory shall be made of vitreous china. Lavatory shall have single-hole (-1), 4" (10.2 cm) centers (-4), or 8" (20.3 cm) centers (-8). Lavatory shall be available with KOHLER Artist Editions designs. Lavatory shall have overflow. Lavatory shall be ADA complaint when installed according to ADA guidelines. Lavatory shall be Kohler Model K-2241-_____-_____.

MEMOIRS®

Technical Information

Fixture*:	
Lavatory:	
Basin area	17" (43.2 cm) x 10" (25.4 cm)
Water depth	5" (12.7 cm)
Drain hole	1-3/4" (4.4 cm) D.
* Approximate measurements for comparison only.	

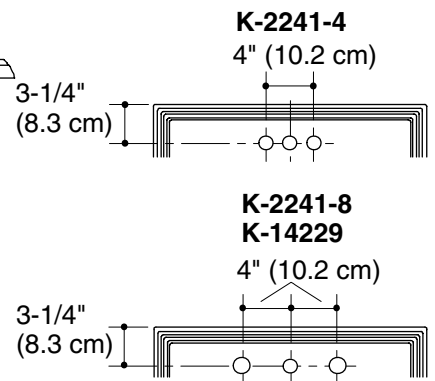
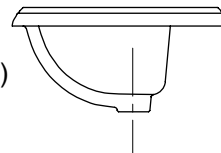
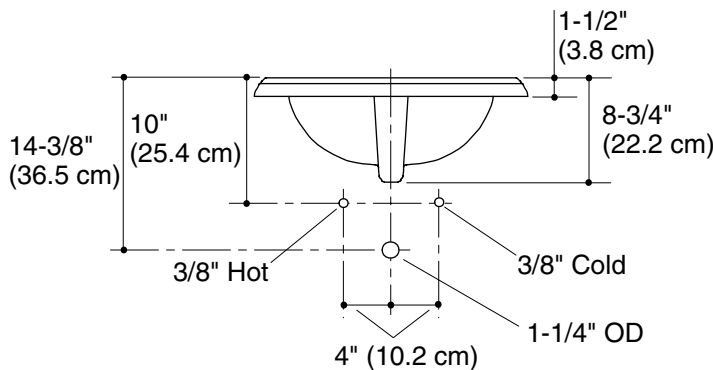
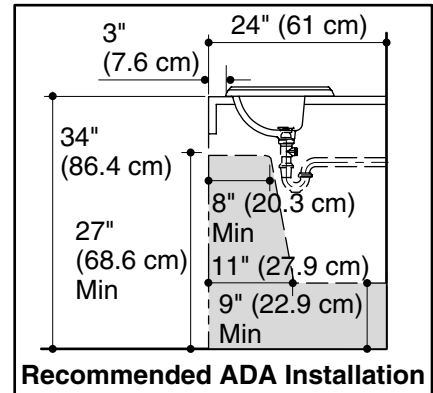
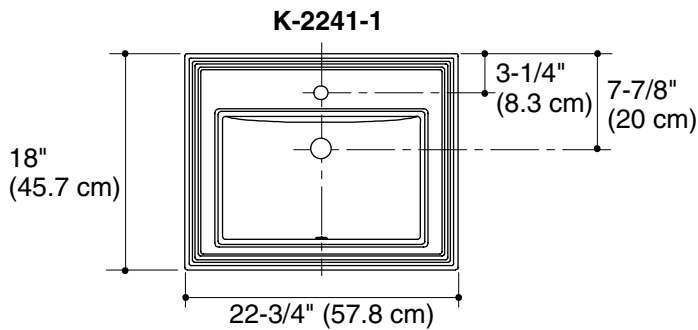
Holes	K-2241-1	K-2241-4	K-2241-8 K-14229
Spout	1-3/8" (3.5 cm) D.	1-1/4" (3.2 cm) D.	1-3/8" (3.5 cm) D.
Faucet		1-1/4" (3.2 cm) D.	1-3/8" (3.5 cm) D.

Included components:	
Cut-out template	1003676

Installation Notes

Install this product according to the installation guide.

NOTICE: Countertop manufacturer or cutter **must** use the cutout template provided with the product, or a current one provided by Kohler (call 1-800-4-KOHLER). Kohler is not responsible for cutout errors when incorrect cutout template is used.



Product Diagram