

Features

- Precision-engineered to meet the challenging demands of today's commercial bathrooms
- 27-1/2" x 14-1/2" x 15"
- 1-1/2" top spud
- Elongated bowl
- Includes integral seat, angle back and wall outlet

Installation

- 4-1/2" rough-in
- Designed for use in prisons and mental healthcare facilities. Not anti-ligature.

Recommended Accessories

- K-10674 Wave DC 1.6 GPF WC Flushometer
- K-10957 Tripoint™ DC 1.6 GPF WC Flushometer
- K-13516 Manual 1.6 GPF WC Flushometer

Components

Additional included component/s: Spud, Floor Screws (pair), and Bold Cap Accessory Pack.



ADA

CSA B651

OBC

Codes/Standards

ASME A112.19.2/CSA B45.1
ADA
CSA B651
OBC

KOHLER® One-Year Limited Warranty

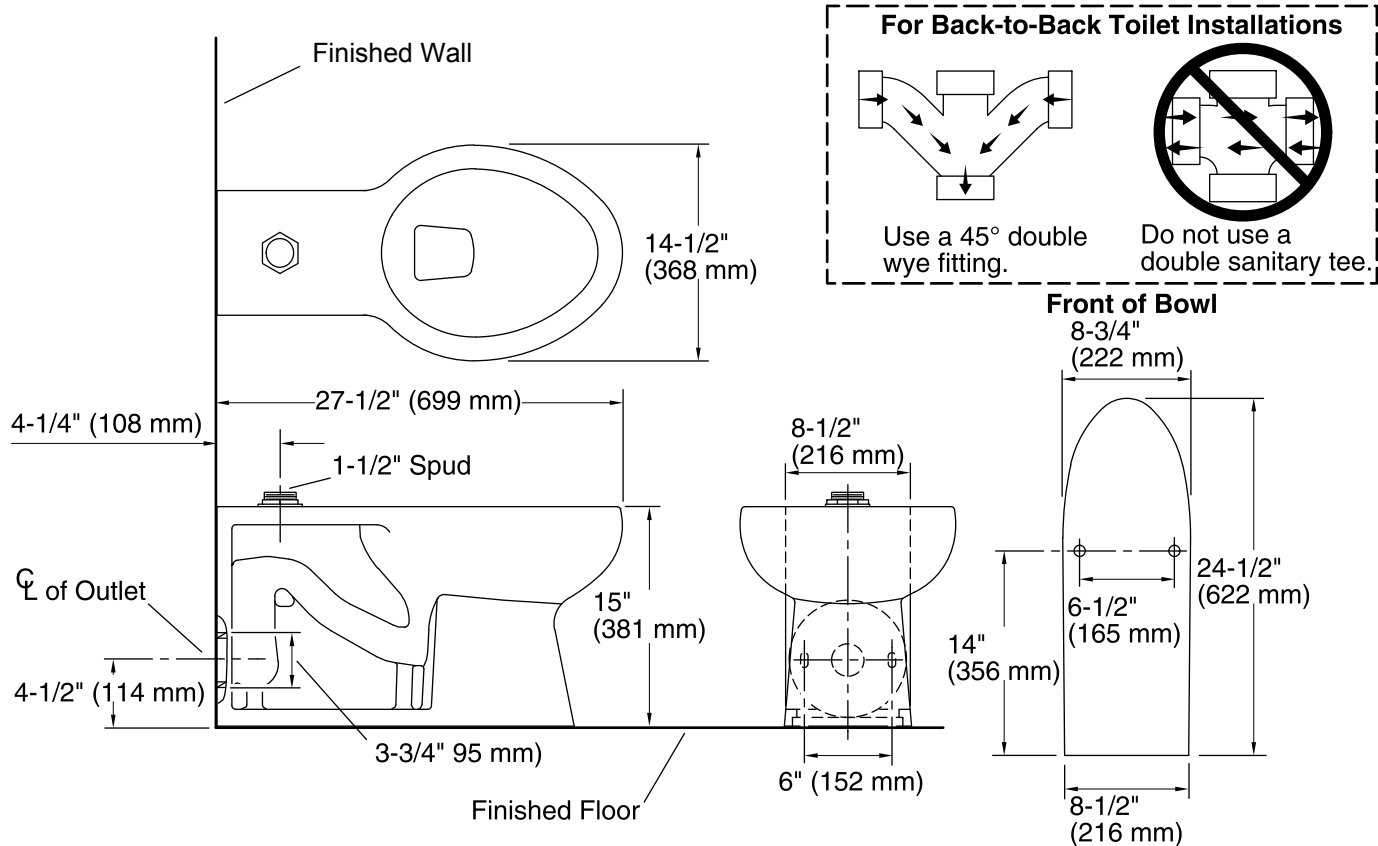
See website for detailed warranty information.

Available Color/Finishes

Color tiles intended for reference only.

Color	Code	Description
-------	------	-------------

	0	White
--	---	-------



Technical Information

All product dimensions are nominal.

Toilet type:	One-piece, Floor-mount
Bowl shape:	Elongated front
Spud size:	1-1/2", Top
Trap passageway:	2-3/8" (60 mm)
Water surface size:	11" x 9-1/2" (279 mm x 241 mm)
Rim to water surface:	5-1/4" (133 mm)
Rough-in:	4.5
Seat-mounting holes:	5-1/2" (140 mm)

Fixture Supply Requirements

Min static pressure:	35 psi (241.3 kPa)
Max static pressure:	80 psi (551.6 kPa)
Min flowing pressure:	25 psi (172.4 kPa)
Min flow rate:	25 gpm (94.6 lpm)

Notes

- Install this product according to the installation instructions.
- ADA, OBC, CSA B651 compliant when installed to the specific requirements of these regulations.
- Plumbing codes may require elongated toilets and elongated, open-front seats in public bathrooms.
- Accessibility standards may require controls to be located on the open side of the toilet.