

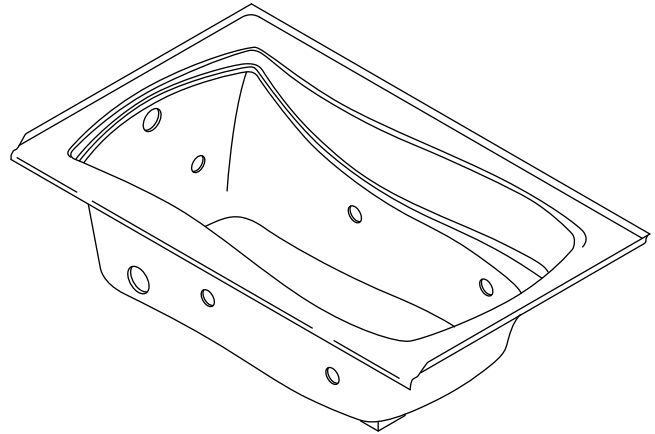
### Features

- Acrylic
- Drop-in or three-wall alcove
- 5 individually adjustable ProFlex® hydro-massage jets
- Pump with air switch and grounding-type plug-in cord
- Optional K-9695 metal finish 5 jet trim kit
- Optional K-1234 removable apron
- 66" (1676 mm) x 35-7/8" (911 mm) x 20" (508 mm)

### BATH WHIRLPOOL

## K-1224

ALSO K-1224-L, K-1224-R



### Codes/Standards Applicable

Specified model meets or exceeds the following:

- ASME A112.19.7
- ASTM E162
- ASTM E662
- UL 1795
- CSA B45.5/IAPMO Z124

### Colors/Finishes

- 0: White
- Other: Refer to Price Book for additional colors/finishes

### Accessories

- CP: Polished Chrome
- PB: Vibrant® Polished Brass
- Other: Refer to Price Book for additional colors/finishes

### Specified Model

Model	Description	Colors/Finishes	
K-1224	Bath whirlpool – drop-in	<input type="checkbox"/> 0	<input type="checkbox"/> Other_____
K-1224-L	Bath whirlpool with integral flange and left drain – 3-wall alcove (shown)	<input type="checkbox"/> 0	<input type="checkbox"/> Other_____
K-1224-R	Bath whirlpool with integral flange and right drain – 3-wall alcove	<input type="checkbox"/> 0	<input type="checkbox"/> Other_____

#### Recommended Accessories

K-7161-AF	Adjustable pop-up drain with tailpiece	<input type="checkbox"/> CP	<input type="checkbox"/> PB	<input type="checkbox"/> Other_____
-----------	--	-----------------------------	-----------------------------	-------------------------------------

#### Optional Accessories

K-1234	Removable apron	<input type="checkbox"/> 0		<input type="checkbox"/> Other_____
K-9695	Metal finish 5 jet trim kit		<input type="checkbox"/> CP <input type="checkbox"/> PB	<input type="checkbox"/> Other_____

### Product Specification

The acrylic bath whirlpool shall be 60" (1524 mm) in length, 35-7/8" (911 mm) in width, and 20" (508 mm) in height. Bath whirlpool shall be for drop-in or 3-wall alcove installation. Bath whirlpool shall feature 5 individually adjustable ProFlex® hydro-massage jets, a pump with air switch and grounding-type plug-in cord. Bath whirlpool shall be available with an optional K-1234 removable apron and an optional K-9695 metal finish 5 jet trim kit. Bath whirlpool shall be Kohler Model K-1224-\_\_\_\_-\_\_\_\_ or K-1224-\_\_\_\_-\_\_\_\_.

# MARIPOSA®

## Technical Information

Fixture*:			
Bathing well:			
Basin area, bottom	48" (1219 mm) x 24" (610 mm)		
Basin area, top	59" (1499 mm) x 30" (762 mm)		
Weight	110 lbs (49.9 kg)		
To overflow:			
Water depth	14" (356 mm)		
Capacity	67 gal (253.6 L)		
* Approximate measurements for comparison only.			
Drop-in cutout: 64" (1626 mm) x 34" (864 mm)			
Pump:	V	Hz	A
1-speed	120	60	7.5

## Required Electrical Service

Dedicated circuit required, protected with a Class A Ground-Fault Circuit-Interrupter (GFCI).	
Pump/control	120 V, 15A, 60 Hz
Locate the outlet behind the whirlpool and within 24" (610 mm) of the pump	

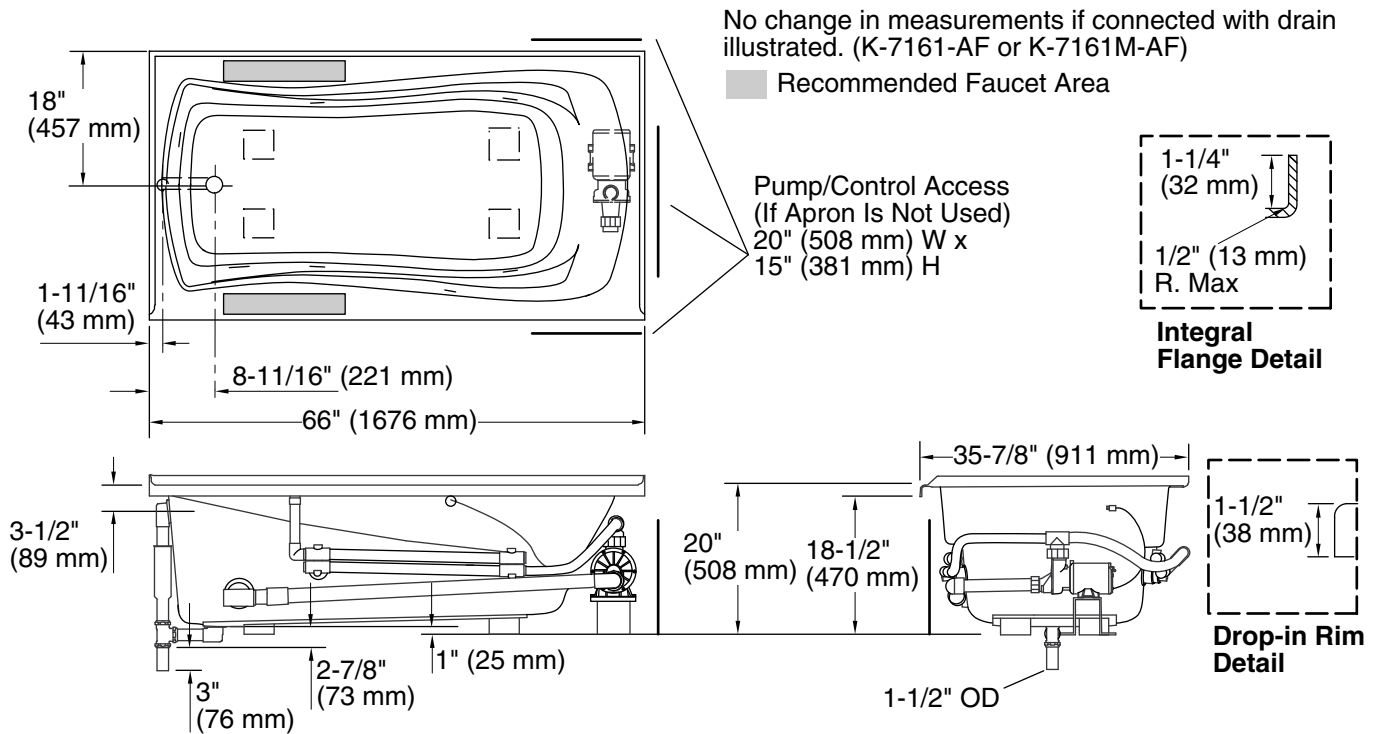
## Installation Notes

Install this product according to the installation guide.

Floor support under whirlpool must provide for a minimum of 48 lbs/square foot (232 kg/square meter).

If installing a rim-mount faucet, make sure there is no interference with the drain overflow and circulating system before drilling any holes. If installing a spout on the faucet deck, consult local and national codes for minimum air gap requirements.

The apron must be installed before the finished floor and wall materials are installed.



## Product Diagram