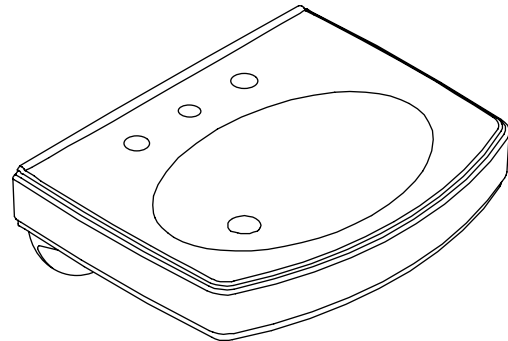


### Features

- Vitreous china
- Wall-mount
- Optional soap dispenser hole on left (-L) or right (-R)
- With overflow
- 8" (20.3 cm) centers (-8), 4" (10.2 cm) centers (-4), or single-hole (-1)
- ADA compliant when used with required K-2057 shroud
- 22" (55.9 cm) x 18" (45.7 cm)

### WALL-MOUNT LAVATORY K-2028

ADA CSA B651 OBC



### Codes/Standards Applicable

Specified model meets or exceeds the following:

- ADA when used with K-2057 shroud
- ICC/ANSI A117.1
- CSA B651
- OBC
- ASME A112.19.2/CSA B45.1

### Colors/Finishes

- 0: White
- Other: Refer to Price Book for additional colors/finishes

### Accessories

- 0: White
- Other: Refer to Price Book for additional colors/finishes

### Specified Model

Model	Description	Colors/Finishes	
K-2028-8	Lavatory with 8" (20.3 cm) centers	<input type="checkbox"/> 0	<input type="checkbox"/> Other_____
K-2028-4	Lavatory with 4" (10.2 cm) centers	<input type="checkbox"/> 0	<input type="checkbox"/> Other_____
K-2028-1	Lavatory with single hole	<input type="checkbox"/> 0	<input type="checkbox"/> Other_____
K-2028-1L	Single-hole lavatory with soap dispenser on left	<input type="checkbox"/> 0	<input type="checkbox"/> Other_____
K-2028-1R	Single-hole lavatory with soap dispenser on right	<input type="checkbox"/> 0	<input type="checkbox"/> Other_____
<b>Required Accessories</b>			
K-2033	Pedestal	<input type="checkbox"/> 0	<input type="checkbox"/> Other_____
K-2057	Shroud	<input type="checkbox"/> 0	<input type="checkbox"/> Other_____

### Product Specification

The wall-mount lavatory shall be made of vitreous china. Lavatory shall be 22" (55.9 cm) in length and 18" (45.7 cm) in width. Lavatory shall have 8" (20.3 cm) centers (-8), 4" (10.2 cm) centers (-4), or single hole (-1). Single hole lavatory shall have optional soap dispenser hole on left or on right. Lavatory shall have overflow. Lavatory shall be ADA compliant when used with required K-2057 shroud. Lavatory shall be Kohler Model K-2028-\_\_\_\_\_-\_\_\_\_\_.

## Technical Information

Fixture*:	
Basin area	18" (45.7 cm) x 12" (30.5 cm)
Water depth	4" (10.2 cm)
Drain hole	1-3/4" (4.4 cm) D.
* Approximate measurements for comparison only.	

Holes	K-2028-8	K-2028-4	K-2028-1
Spout	1-3/8" (3.5 cm) D.	1-1/4" (3.2 cm) D.	1-3/8" (3.5 cm) D.
Faucet	1-3/8" (3.5 cm) D.	1-1/4" (3.2 cm) D.	
Soap dispenser			1-1/4" (3.2 cm) D.

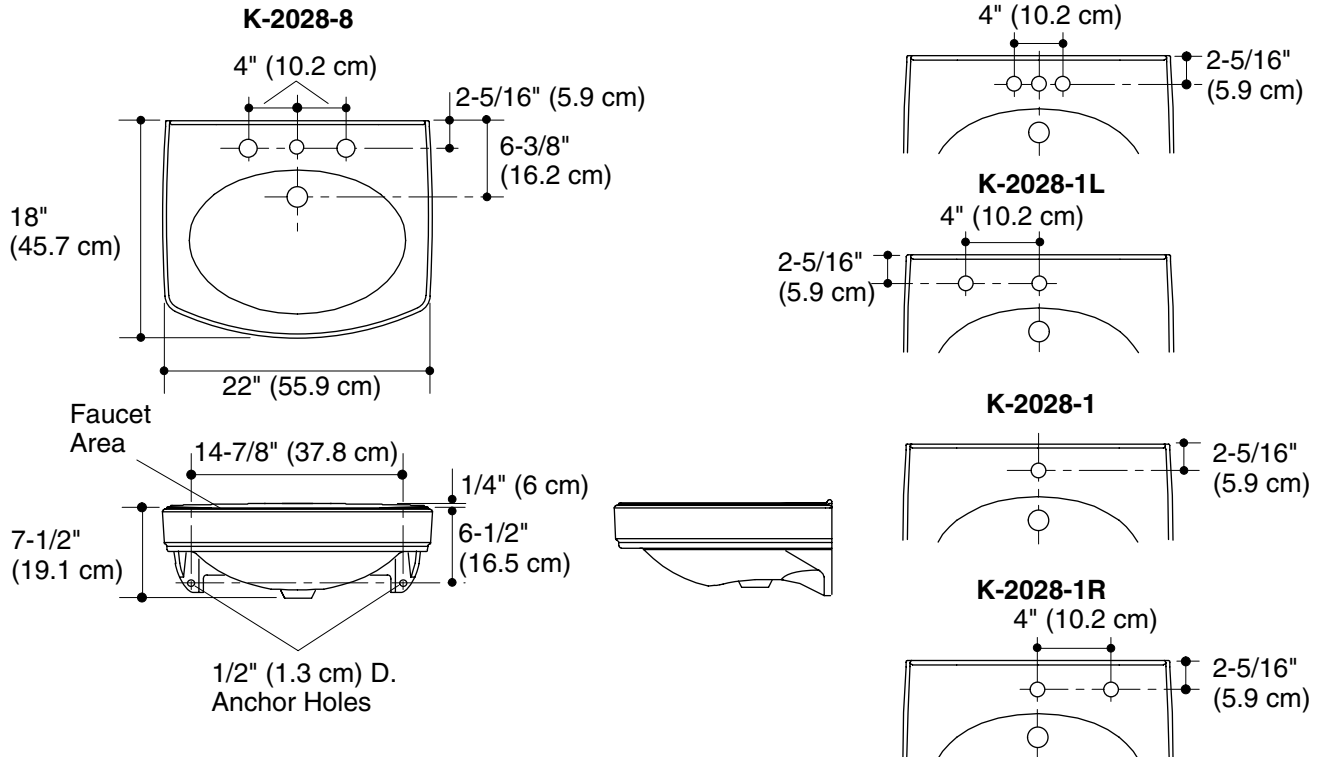
## Installation Notes

Install this product according to the installation guide.

Will comply with **ADA** when installed per section 606 Lavatories of the Act.

Will comply with **CSA B651** when installed per Clause 4.3.3 of the standard.

Will comply with **OBC** when installed per Clause 3.8.3.11.



## Product Diagram