

Features

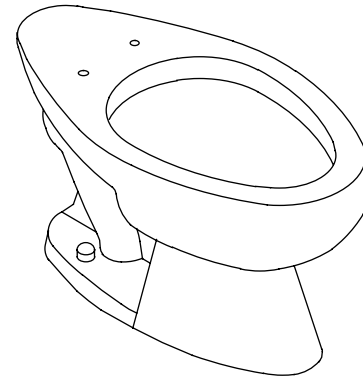
- Vitreous china
- With bedpan lugs (-L)
- 11" (27.9 cm) minimum rough-in
- 1.6 gpf (6 lpf)
- 1-1/2" rear spud
- 2-1/4" (5.7 cm) glazed trapway
- 11-3/8" (28.9 cm) x 10-3/8" (26.4 cm) water area
- 26" (66 cm) x 14-1/2" (36.8 cm) x 16-1/2" (41.9 cm)

BOWL K-4301

ADA

CSA B651

OBC



Codes/Standards Applicable

Specified model meets or exceeds the following:

- ADA
- ICC/ANSI A117.1
- CSA B651
- OBC
- ASME A112.19.2/CSA B45.1

Colors/Finishes

- 0: White
- Other: Refer to Price Book for additional colors/finishes

Accessories

- 0: White
- Other: Refer to Price Book for additional colors/finishes

Specified Model

Model	Description	Colors/Finishes	
K-4301	Bowl	<input type="checkbox"/> 0	<input type="checkbox"/> Other_____
K-4301-L	Bowl with bedpan lugs	<input type="checkbox"/> 0	<input type="checkbox"/> Other_____

Recommended Accessories			
K-4670-C	Lustra™ open front seat	<input type="checkbox"/> 0	<input type="checkbox"/> Other_____
K-4670-CA	Lustra open front seat with anti-microbial agent	<input type="checkbox"/> 0	

Product Specification

The elongated bowl shall be made of vitreous china. Bowl shall be 26" (66 cm) in length, 14-1/2" (36.8 cm) in width, and 16-1/2" (41.9 cm) in height. Bowl shall be 11" (27.9 cm) minimum rough-in with 1-1/2" rear spud. Bowl shall have 11-3/8" (28.9 cm) by 10-3/8" (26.4 cm) water area. Bowl shall be 1.6 gpf (6 lpf). Bowl shall have a 2-1/4" (5.7 cm) glazed trapway. Bowl shall be Kohler Model K-4301-_____-_____.

HIGHCREST™

Technical Information

Fixture*:	
Configuration	Rear spud, elongated
Water per flush	1.6 gal (6 L)*
Spud size	1-1/2"
Passageway	2-1/4" (5.7 cm)
Water area	11-3/8" (28.9 cm) x 10-3/8" (26.4 cm)
Water depth from rim	6" (15.2 cm)
Seat post hole centers	5-1/2" (14 cm)
* Designed to flush with 1.6 gal (6 L) of water when installed with a 1.6 gallon (6 L) flush valve.	
Included components:	
Spud	18357
Bolt caps (pair)	52048

Installation Notes

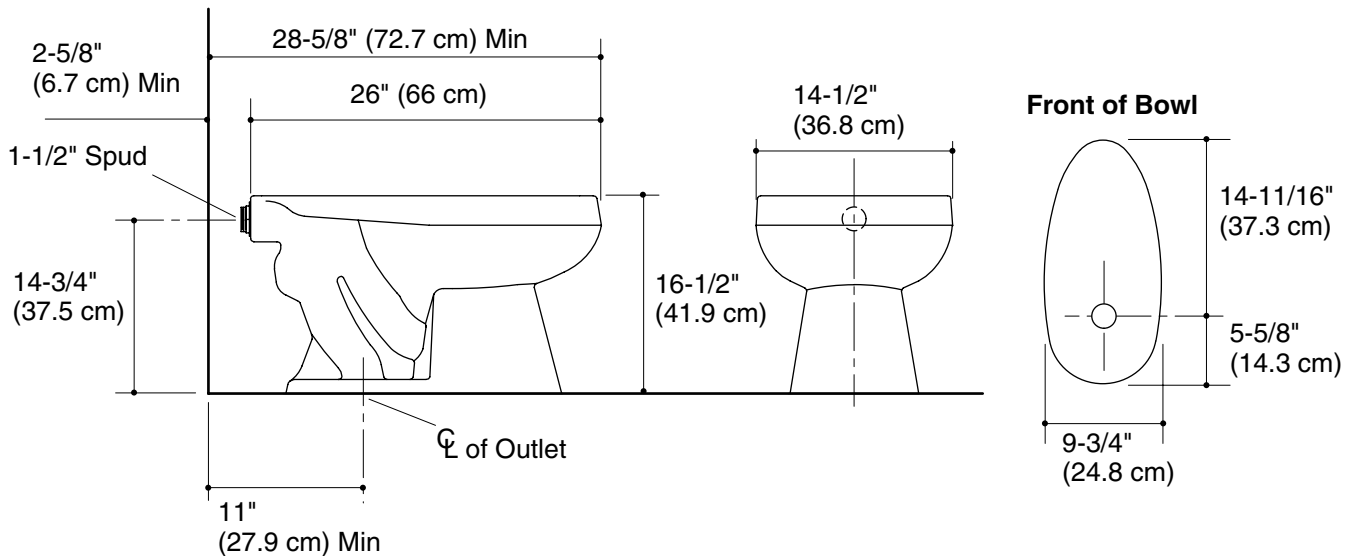
Install this product according to the installation guide.

Refer to manufacturer and local codes for flush valve requirements.

Will comply with the American Disabilities Act (**ADA**) when installed per the requirements of the Accessibility Guidelines, Section 604 Water Closets, of the Act. The Model Plumbing Codes require the installation of elongated open-front toilet seats in public bathrooms.

Will comply with **CSA B651** when installed per Clause 4.3.6 of the standard.

Will comply with **OBC** when installed per Clause 3.8.3.8 and 3.8.3.9.



Product Diagram