

### BOWL K-4349

**CSA B651** **OBC**

#### Features

- Vitreous china
- With bedpan lugs (-L)
- 2-1/4" (57 mm) passageway
- 11-3/8" (289 mm) x 10-3/8" (264 mm) water area
- 11" (279 mm) minimum rough-in
- 1-1/2" rear spud
- 1.6 gpf (6 lpf)
- 26" (660 mm) x 14-1/2" (368 mm) x 14-3/4" (375 mm)



#### Codes/Standards Applicable

Specified model meets or exceeds the following:

- CSA B651
- OBC
- ASME A112.19.2/CSA B45.1

#### Colors/Finishes

- 0: White
- Other: Refer to Price Book for additional colors/finishes

#### Accessories

- 0: White
- Other: Refer to Price Book for additional colors/finishes

#### Specified Model

Model	Description	Colors/Finishes	
K-4349	Elongated bowl toilet	<input type="checkbox"/> 0	<input type="checkbox"/> Other_____
K-4349-L	Elongated bowl toilet with bedpan lugs	<input type="checkbox"/> 0	<input type="checkbox"/> Other_____
<b>Recommended Accessories</b>			
K-4670-C	Lustra™ open front seat	<input type="checkbox"/> 0	<input type="checkbox"/> Other_____
K-4670-CA	Lustra open front seat with anti-microbial agent	<input type="checkbox"/> 0	

#### Product Specification

The elongated bowl shall be made of vitreous china. Bowl shall be 11" (279 mm) minimum rough-in with 1-1/2" rear spud. Bowl shall be 1.6 gpf (6 lpf). Bowl shall have 2-1/4" (57 mm) passageway. Bowl shall have 11-3/8" (289 mm) by 10-3/8" (264 mm) water area. Bowl shall be 26" (660 mm) in length, 14-1/2" (368 mm) in width, and 14-3/4" (375 mm) in height. Bowl shall have bedpan lugs (-L). Bowl shall be Kohler Model K-4349-\_\_\_\_\_-\_\_\_\_\_.

# WELLCOMME™

## Technical Information

Fixture*:	
Configuration	Rear spud, elongated
Water per flush	1.6 gal (6 L)*
Spud size	1-1/2"
Passageway	2-1/4" (57 mm)
Water area	11-3/8" (289 mm) x 10-3/8" (264 mm)
Water depth from rim	6" (152 mm)
Seat post hole centers	5-1/2" (140 mm)
Minimum static pressure required	35 psi (241.3 kPa)
Maximum static pressure	80 psi (551.6 kPa)
Minimum flowing pressure required	25 psi (172.4 kPa)
Required supply minimum	25 gpm (94.6 lpm)
* Designed to flush with 1.6 gal (6 L) of water when installed with a 1.6 gpf (6 lpf) valve.	

Included components:

Spud	18357
------	-------

Bolt caps (pair)	52048
------------------	-------

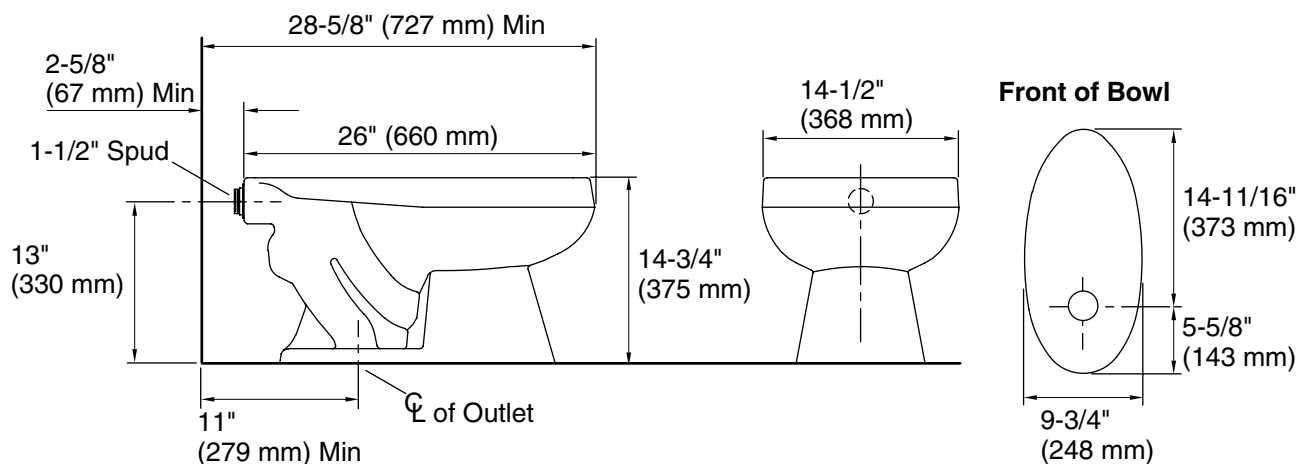
## Installation Notes

Install this product according to the installation guide.

Refer to manufacturer and local codes for flush valve requirements.

Will comply with **CSA B651** when installed per Clause 4.3.6 of the standard.

Will comply with **OBC** Barrier Free requirements when installed per Clause 3.8.3.8 and 3.8.3.9.



## Product Diagram