

Features

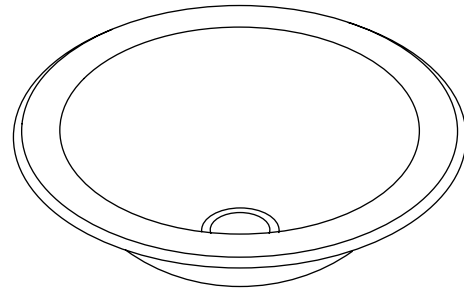
- Vitreous china
- Self-rimming or undercounter
- 13-1/4" (33.7 cm) diameter

SELF-RIMMING OR UNDERCOUNTER LAVATORY K-2298

Codes/Standards Applicable

Specified model meets or exceeds the following:

- ASME A112.19.2/CSA B45.1



Colors/Finishes

- 0: White
- Other: Refer to Price Book for additional colors/finishes

Accessories:

- CP: Polished Chrome
- Other: Refer to Price Book for additional colors/finishes

Specified Model

Model	Description	Colors/Finishes	
K-2298	Self-rimming or undercounter lavatory	<input type="checkbox"/> 0	<input type="checkbox"/> Other_____
Recommended Accessory			
K-9018	P-Trap	<input type="checkbox"/> CP	<input type="checkbox"/> Other_____

Product Specification

The self-rimming or undercounter lavatory shall be 13-1/4" (33.7 cm) in diameter. Lavatory shall be made of vitreous china. Lavatory shall be Kohler Model K-2298-_____.

COMPASS®

Technical Information

Fixture*:	
Basin area, self-rimming	13-1/4" (33.7 cm) D.
Basin area, undercounter	10-5/8" (27 cm) D.
Water depth	4-3/4" (12.1 cm)
Drain hole	1-3/4" (4.4 cm) D.
*Approximate measurements for comparison only.	

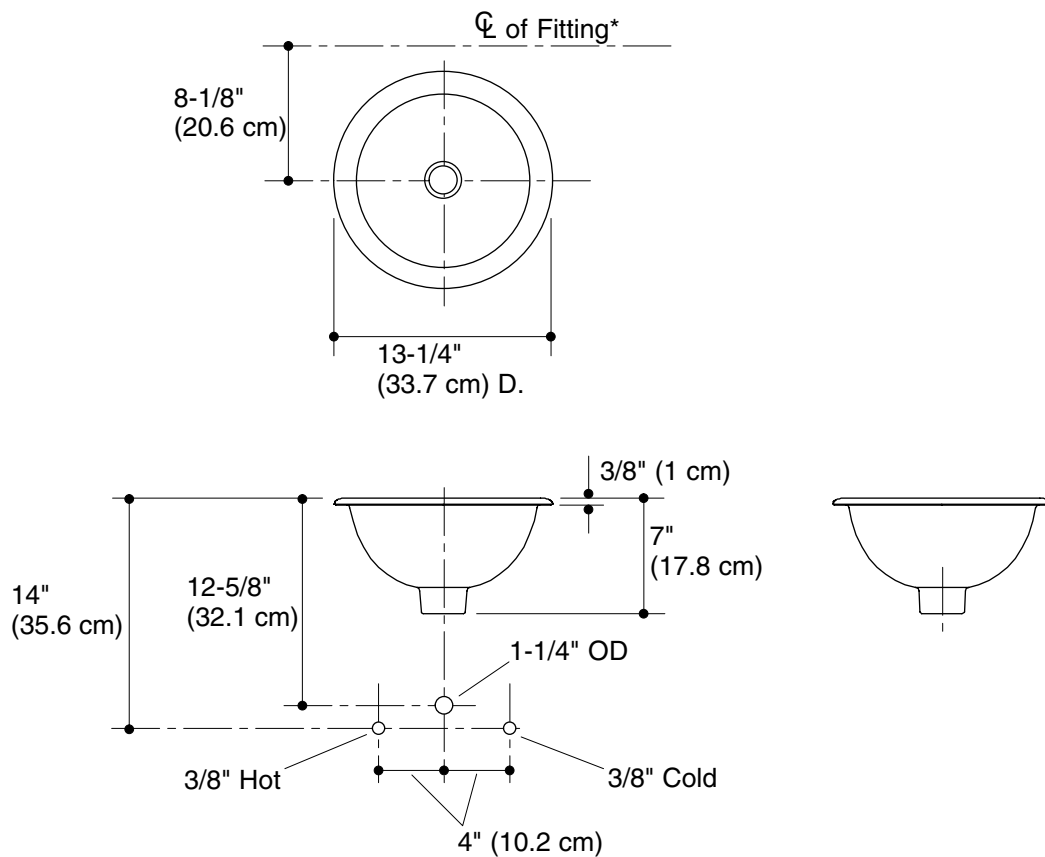
Included components:	
Adjustable linkage	40372
Cut-out template	116214-7
Basin clamp assembly (undercounter only)	52047

Installation Notes

Install this product according to the installation guide.

Spout must be a minimum of 4-1/2" (11.4 cm) long for adequate clearance into lavatory.

Supplied basin clamp assembly for undercounter installation requires 1" (2.5 cm) minimum countertop thickness. Installer must supply hardware for thinner countertops.



Product Diagram