

### Features

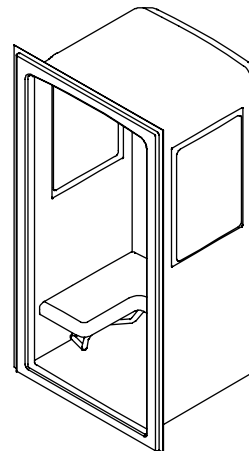
- Acrylic
- Integral soap ledges
- Brushed stainless steel grab bars (-C)
- Polished stainless steel grab bars (-P)
- Fold-up seat on left or right
- Molded-in floor pattern
- "Pit" installation options detailed in instructions
- 36" (91.4 cm) x 36" (91.4 cm) x 81-3/8" (206.7 cm) inside finished dimensions

### ONE-PIECE BARRIER-FREE TRANSFER SHOWER MODULE

# K-12100

ALSO K-12101

ADA



### Codes/Standards Applicable

Specified model meets or exceeds the following:

- ANSI Z124.2
- ADA
- ICC/ANSI A117.1

### Colors/Finishes

- 0: White
- Other: Refer to Price Book for additional colors/finishes

### Accessories:

- CP: Polished Chrome
- PB: Polished Brass
- Other: Refer to Price Book for additional colors/finishes

### Specified Model

Model	Description	Colors/Finishes	
K-12100-C	Module with fold-up seat on right, brushed stainless steel grab bars	<input type="checkbox"/> 0	<input type="checkbox"/> Other_____
K-12100-P	Module with fold-up seat on right, polished stainless steel grab bars	<input type="checkbox"/> 0	<input type="checkbox"/> Other_____
K-12101-C	Module with fold-up seat on left, brushed stainless steel grab bars	<input type="checkbox"/> 0	<input type="checkbox"/> Other_____
K-12101-P	Module with fold-up seat on left, polished stainless steel grab bars	<input type="checkbox"/> 0	<input type="checkbox"/> Other_____

Recommended Accessories				
K-9132	Shower drain	<input type="checkbox"/> CP	<input type="checkbox"/> PB	<input type="checkbox"/> Other_____
K-1665	Dome light	<input type="checkbox"/> CP	<input type="checkbox"/> G	

Refer to Fixtures Price Book for shower door selections, glass options, and color information.

### Product Specification:

The acrylic shower module shall be 36" (91.4 cm) in length, 36" (91.4 cm) in width, and 81-3/8" (206.7 cm) in height. Product shall include fold-up seat at left or right, molded-in floor pattern, integral soap ledges, and "pit" installation options detailed in instructions. Product shall include brushed stainless steel grab bars (-C) or polished stainless steel grab bars (-P). Shower module shall be Kohler Model K-\_\_\_\_\_-\_\_\_\_\_-\_\_\_\_\_.

# FREEWILL®

## Technical Information

Fixture*:	
Configuration	one-piece
Weight	170 lbs (77 kg)
Drain outlet	3-3/8" (8.6 cm) D.
* Approximate measurements for comparison only.	

## Installation Notes

Install this product according to the installation guide.

For optimum accessibility, specify faucets and fittings to install and operate within the control area shown.

For increased accessibility, utilize "pit" installation as detailed in installation guide.

The fixture is not drilled for supply fittings.



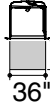

Shimming may be required to level the fixture.

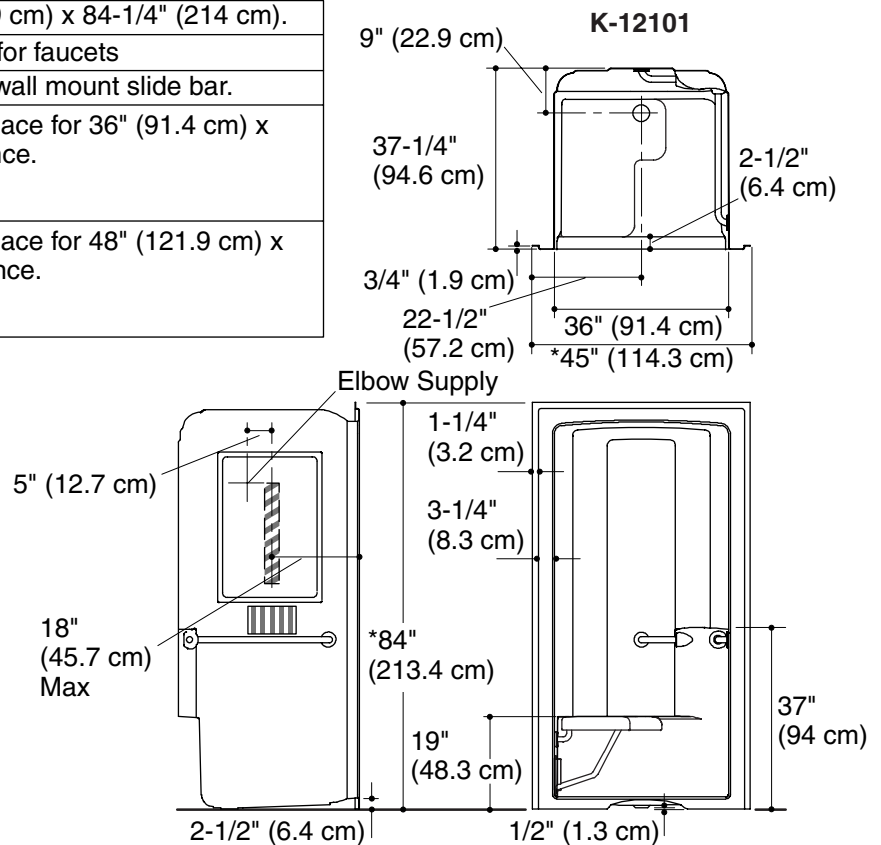
Stud opening tolerance + 1/4" (6 mm).

When fire rated construction is specified, dimensions are to the inside of the fire-rated wall.

Some shimming between stud frame and fixture may be required.

Provide clear floor space per ICC/ANSI A117.1 and as shown.

*Recess opening must be 45-1/4" (114.9 cm) x 84-1/4" (214 cm).	
	Represents control area for faucets
	Represents 24" (61 cm) wall mount slide bar.
	Represents clear floor space for 36" (91.4 cm) x 36" (91.4 cm) side entrance.
	Represents clear floor space for 48" (121.9 cm) x 36" (91.4 cm) front entrance.



## Product Diagram

FREEWILL® ONE-PIECE BARRIER-FREE TRANSFER SHOWER MODULE

Page 2 of 2  
116291-4-DF

THE BOLD LOOK  
OF **KOHLER**®