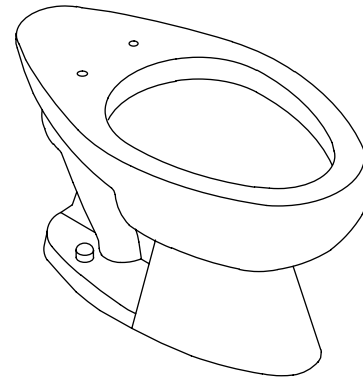


### Features

- Vitreous china
- With bedpan lugs (-L)
- 1-1/2" rear spud
- 11" (279 mm) minimum rough-in
- 11-3/8" (289 mm) x 10-3/8" (264 mm) water area
- 2-1/4" (57 mm) passageway
- 1.6 gpf (6 lpf)
- 26" (660 mm) x 14-1/2" (368 mm) x 17-1/2" (445 mm)

**BOWL  
K-4367**

**ADA**



### Codes/Standards Applicable

Specified model meets or exceeds the following:

- ADA
- ASME A112.19.2/CSA B45.1
- ICC/ANSI A117.1

### Colors/Finishes

- 0: White
- Other: Refer to Price Book for additional colors/finishes

### Accessories:

- 0: White
- Other: Refer to Price Book for additional colors/finishes

### Specified Model

| Model                   | Description                                      | Colors/Finishes            |                                      |
|-------------------------|--|----------------------------|--------------------------------------|
| K-4367                  | Elongated bowl toilet                            | <input type="checkbox"/> 0 | <input type="checkbox"/> Other _____ |
| K-4367-L                | Elongated bowl toilet with bedpan lugs           | <input type="checkbox"/> 0 | <input type="checkbox"/> Other _____ |
| Recommended Accessories |  |                            |                                      |
| K-4670-C                | Lustra™ open front seat                          | <input type="checkbox"/> 0 | <input type="checkbox"/> Other _____ |
| K-4670-CA               | Lustra open front seat with anti-microbial agent | <input type="checkbox"/> 0 |                                      |
| 21401                   | Floor bolts (pair)                               |                            |                                      |

### Product Specification

The elongated bowl shall be 11" (279 mm) minimum rough-in with a 1-1/2" rear spud. Bowl shall be made of vitreous china. Bowl shall be 1.6 gpf (6 lpf). Bowl shall have 11-3/8" (289 mm) by 10-3/8" (264 mm) water area. Bowl shall have 2-1/4" (57 mm) passageway. Bowl shall have bedpan lugs (-L). Bowl shall be 26" (660 mm) in length, 14-1/2" (368 mm) in width, and 17-1/2" (445 mm) in height. Bowl shall be Kohler Model K-4367-\_\_\_\_\_-\_\_\_\_\_.

# HIGHCLIFF™

## Technical Information

|  |                                     |
|--|-------------------------------------|
| Fixture:   |                                     |
| Configuration  | Rear spud, elongated                |
| Water per flush  | 1.6 gal (6 L)*                      |
| Spud size  | 1-1/2"                              |
| Passageway   | 2-1/4" (57 mm)                      |
| Water area   | 11-3/8" (289 mm) x 10-3/8" (264 mm) |
| Water depth from rim   | 6" (152 mm)                         |
| Seat post hole centers   | 5-1/2" (140 mm)                     |
| Minimum static pressure required   | 35 psi (241.3 kPa)                  |
| Maximum static pressure  | 80 psi (551.6 kPa)                  |
| Minimum flowing pressure required  | 25 psi (172.4 kPa)                  |
| Required supply minimum  | 25 gpm (94.6 lpm)                   |
| * Designed to flush with 1.6 gal (6 L) of water when installed with a 1.6 gpf (6 lpf) valve. |                                     |

Included components:

|      |       |
|------|-------|
| Spud | 18357 |
|------|-------|

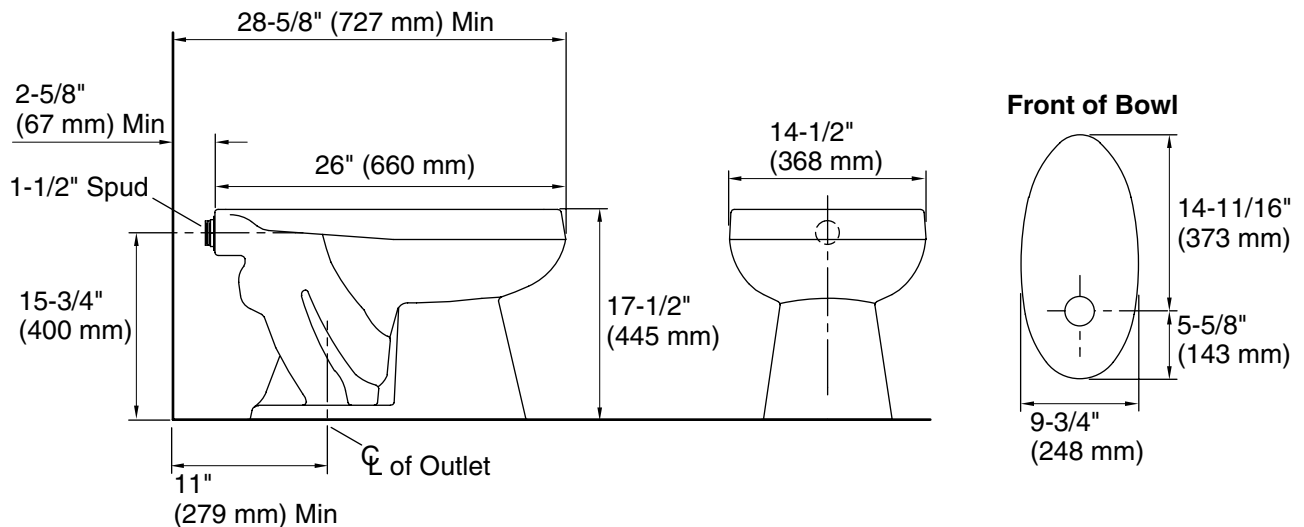
|                         |       |
|-------------------------|-------|
| Bolt cap accessory pack | 52048 |
|-------------------------|-------|

## Installation Notes

Install this product according to the installation guide.

Refer to manufacturer and local codes for flush valve requirements.

Will comply with the American Disabilities Act (**ADA**) when installed per the requirements of the Accessibility Guidelines, Section 604 Water Closets, of the Act. The Model Plumbing Codes require the installation of elongated open-front toilet seats in public bathrooms.



## Product Diagram