

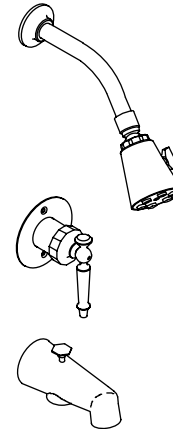
**Features**

- Brass construction
- Variety of handle style options
- Intended for use with Rite-Temp® or HiFlow Rite-Temp® valves

**BATH AND SHOWER FAUCET TRIM**

**K-T130**

ALSO K-T132, K-T134



**Codes/Standards Applicable**

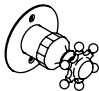


Specified model meets or exceeds the following:

- ASME A112.18.1/CSA B125.1

**Colors/Finishes**

- CP: Polished Chrome
- PB: Vibrant® Polished Brass
- Other: Refer to Price Book for additional colors/finishes

**Specified Model**

Model	Handle Description			
<b>Bath and Shower:</b>				
K-T130-3D	Six-prong	<input type="checkbox"/> CP <input type="checkbox"/> PB <input type="checkbox"/> Other_____		
K-T130-4D	Lever		<input type="checkbox"/> CP <input type="checkbox"/> PB <input type="checkbox"/> Other_____	
K-T130-9B	Oval			<input type="checkbox"/> CP <input type="checkbox"/> PB <input type="checkbox"/> Other_____
<b>Shower Only:</b>				
K-T132-3D	Six-prong	<input type="checkbox"/> CP <input type="checkbox"/> PB <input type="checkbox"/> Other_____		
K-T132-4D	Lever		<input type="checkbox"/> CP <input type="checkbox"/> PB <input type="checkbox"/> Other_____	
K-T132-9B	Oval			<input type="checkbox"/> CP <input type="checkbox"/> PB <input type="checkbox"/> Other_____
<b>Valve Only:</b>				
K-T134-3D	Six-prong	<input type="checkbox"/> CP <input type="checkbox"/> PB <input type="checkbox"/> Other_____		
K-T134-4D	Lever		<input type="checkbox"/> CP <input type="checkbox"/> PB <input type="checkbox"/> Other_____	

**Product Specification**

The Rite-Temp® pressure-balancing single-control bath and shower faucet trim shall be made of brass construction. Bath and shower trim shall include showerhead with arm and flange, 4-7/8" (12.4 cm) diverter spout with NPT connection, and handle. Shower only trim shall include showerhead with arm and flange, and handle. Valve only trim shall include handle. Faucet trim shall be K-T\_\_\_\_\_ - \_\_\_\_\_ and ceramic dial faceplate shall be Kohler Model K-146-\_\_\_\_\_ OR K-262-\_\_\_\_\_. Rite-Temp® valve shall be K-304-\_\_\_\_\_-NA OR K-2971-KS-NA HiFlow Rite-Temp® valve.

# ANTIQUETM

## Required Accessories

K-304-*	Rite-Temp® valve without stops <b>OR</b>	<input type="checkbox"/> NA	
K-2971-KS	HiFlow Rite-Temp valve with stops	<input type="checkbox"/> NA	
K-146	Ceramic dial faceplate (For -3D and -4D)	<input type="checkbox"/> NA	
K-262	Ceramic dial faceplate and oval handle insert (For -9B)		<input type="checkbox"/> Other _____

\* For a complete listing of all the RiteTemp valves, refer to the K-304-\* Specification Sheet or Roughing-In Sheet.

## Optional Accessories

K-9639	Large lever insert, single	<input type="checkbox"/> CP	
K-9659	Large lever insert, single		<input type="checkbox"/> Other _____
58221	Deep roughing-in kit for K-304 valve (six-prong and artist edition handles)	<input type="checkbox"/> CP	<input type="checkbox"/> Other _____
58222	Deep roughing-in kit for K-304 valve (lever handles)	<input type="checkbox"/> CP	<input type="checkbox"/> Other _____
88526	HiFlow Rite-Temp® thin wall installation kit	<input type="checkbox"/> CP	<input type="checkbox"/> Other _____

## Installation Notes

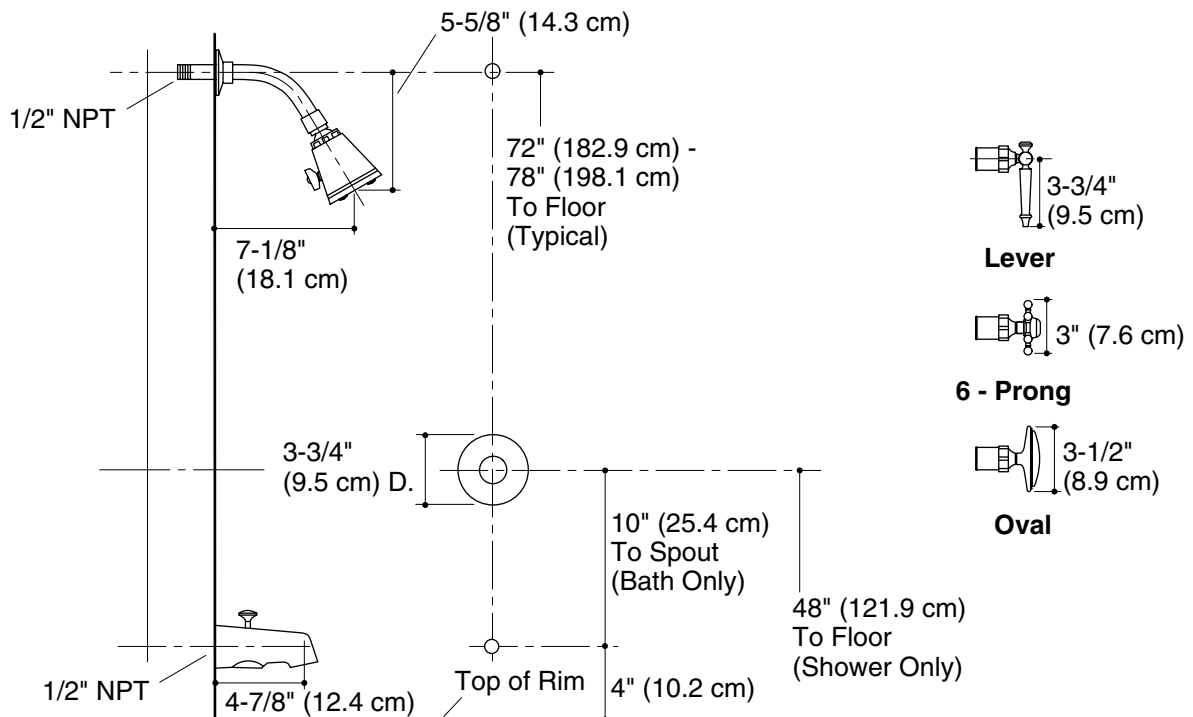
Install this product according to the installation guide.

**NOTICE: Risk of product damage.** Long screws, for installing trim, can damage the K-2971-KS valve. Consult the trim installation guide to verify if the thin wall installation kit (88526) is needed.

Avoid cross-flow conditions. Do not install shut-off device on either valve outlet.

Cap shower outlet if deck-mount spout, diverter, or handshower is connected to spout outlet.

Install straight pipe or tube drop of 7" (17.8 cm) to 18" (45.7 cm) with single elbow between valve and wall-mount spout.



## Product Diagram