

# LSSG3019BD

Black Stainless Steel Gas Slide-In Range  
with Warming Drawer



**ProBake Convection®**

**EasyClean®**

**Premium Black Stainless Steel Finish**

**Fingerprint and Smudge Resistant Exterior**

**6.3 cu. ft. Large Capacity**

**0.8 cu. ft. Warming Drawer**

**1 Brass Burner**

**18.5K BTU Power Burner**

**Front-Tilt Control Display**

**Glass Touch Controls**

**2 Year Limited Warranty**



| TYPE                                  |   |
|---------------------------------------|---|
| Type                                  | Gas Slide-In Range  |
| CAPACITY                              |   |
| Oven Capacity (cu. ft.)               | 6.3   |
| Warming Drawer Capacity (cu. ft.)     | 0.8   |
| OVEN FEATURES                         |   |
| Broil Element (BTU/h) (LNG/LPG)       | 15,200 / 12,500   |
| Convection (BTU/h) (LNG/LPG)          | 19,000 / 17,000   |
| Convection Fan                        | Dual Speed (High/Low)   |
| Convection Conversion                 | •   |
| Convection System/Mode/Cooking System | ProBake Convection®   |
| Oven Cooking Modes                    | Bake, Broil, Convection Bake (Single/Multi-Rack), Convection Roast, Pizza, Delay Bake, Delay Clean, Proof, Warm |
| Oven Control Features                 | Glass Touch   |
| EasyClean®                            | •   |
| Self Clean                            | • (3 hr. / 4 hr. / 5hr.)  |
| Delay Clean                           | •   |
| Delay Start                           | •   |
| GoCook Smart Oven Light               | •   |
| No. of Racks                          | 2 Heavy, 1 Gliding  |
| No. of Rack Positions                 | 7   |
| Door Lock                             | •   |
| Automatic Safety Shut-Off             | After 12 hours  |
| COOKTOP FEATURES                      |   |
| Type                                  | Sealed Gas Burner   |
| No of Burners                         | 5 Total (1 Brass)   |
| Fuel Type                             | Liquefied Natural Gas (LNG) / Liquid Propane Gas (LPG)  |
| BTU/h (LNG/LPG)                       |   |
| Left Rear                             | 9,100 BTU / 9,100 BTU   |
| Right Rear                            | 5,000 BTU / 5,000 BTU   |
| Left Front                            | 12,000 BTU / 10,000 BTU   |
| Right Front                           | 18,500 BTU / 12,500 BTU   |
| Center                                | 10,000 BTU / 10,000 BTU (Single Oval)   |
| Simmer BTU/h (LNG/LPG)                |   |
| Left Rear                             | 1,100 BTU   |
| Right Rear                            | 650 BTU   |
| Left Front                            | 1,200 BTU   |
| Right Front                           | 1,330 BTU   |
| Center                                | 2,300 BTU   |
| Grates                                | Continuous, Dishwasher Safe   |
| No. of Grates                         | 3   |
| Knobs                                 | Push & Turn   |
| Hot Surface LED Indicator             | No  |
| DRAWER                                |   |
| Capacity                              | 0.8 cu. ft.   |

| Type                                      | Warming                     |
|---|-----------------------------|
| Levels                                    | 3                           |
| Time Control                              | •                           |
| CONTROL                                   |                             |
| Available Colors                          | Black Stainless Steel       |
| Handle/Knobs                              | Black STS Finish (Aluminum) |
| Display                                   | VFD (White/Red)             |
| Language                                  | English                     |
| Clock                                     | 12 hr or 24 hr (option)     |
| Kitchen Timer                             | •                           |
| Timed Cook                                | •                           |
| Temperature Unit of Measure               | °F or °C                    |
| Cooking Complete Reminder Volume          | 1. High 2. Low 3. Mute      |
| APPEARANCE                                |                             |
| Available Colors                          | Stainless-Steel             |
| Handle/Knobs                              | STS Finish (Aluminum)       |
| Fingerprint & Smudge Resistant            | Yes                         |
| Oven Door Feature                         | WideView™ Window            |
| DIMENSIONS/CLEARANCES/WEIGHT              |                             |
| Shipping Weight (lbs)                     | 238.1                       |
| Product Weight (lbs)                      | 170.6                       |
| Cabinet Width (in)                        | 30"                         |
| Overall Depth (in) - including door       | 26 9/16"                    |
| Overall Depth (in) - including handle     | 28 15/16"                   |
| Overall Height (in)                       | 37 1/10"                    |
| Overall Width (in)                        | 29 7/8"                     |
| Oven Interior Dimensions (in) (W x H x D) | 24 13/16" x 22" x 20"       |
| Height to Cooking Surface (in)            | 36"                         |
| Warming Drawer Dimensions (W x H x D)     | 22 1/4" x 4 1/2" x 16 1/2"  |
| Carton Dimensions (in) (W x H x D)        | 32 1/2" x 45 1/2" x 30 1/2" |
| POWER/RATINGS                             |                             |
| Amp Rating at 120V                        | 8.66A                       |
| KW Rating at 120V                         | 1,039 kW                    |
| ACCESSORIES                               |                             |
| Heavy Duty Rack                           | 2                           |
| Drawer Rack                               | 1                           |
| Gliding Rack                              | 1                           |
| Spray Bottle                              | •                           |
| Scouring Pad                              | •                           |
| Scraper                                   | •                           |
| Cooktop Sponge                            | •                           |
| WARRANTY                                  |                             |
| Limited Warranty                          | 2 Year Parts & Labor        |
| UPC CODES                                 |                             |
| LSSG3019BD (Black Stainless Steel)        | 048232 336993               |

## LSSG3019BD

Black Stainless Steel Gas Slide-In Range  
with Warming Drawer



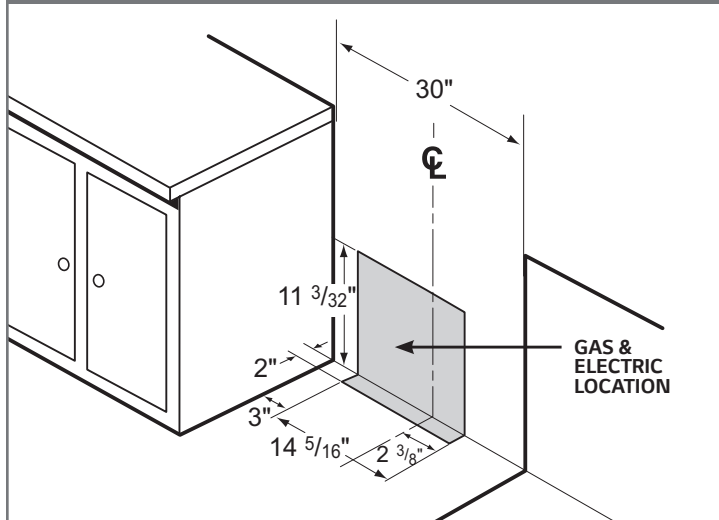
STUDIO

## QUICK INSTALL &amp; CLEARANCES

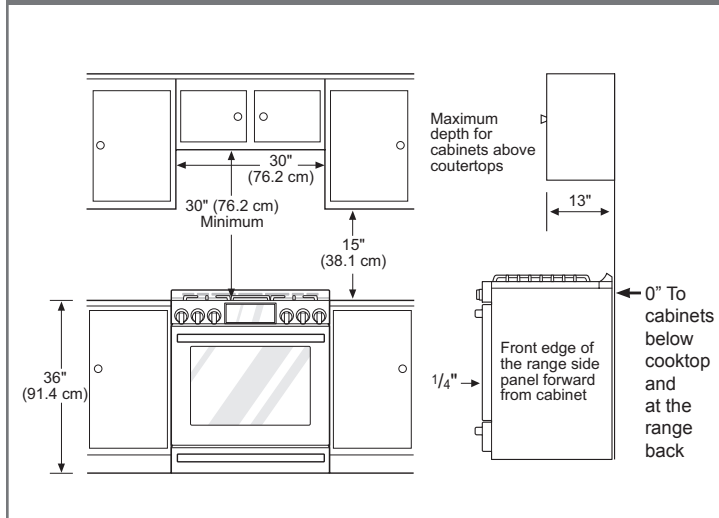
For full installation directions/clearances please refer to the corresponding User Manual and Installation Guide.

| DIMENSIONS / CLEARANCES                   |                                |
|---|--------------------------------|
| Cabinet Width (in)                        | 30"                            |
| Overall Depth (in) - including handle     | 28 15/16"                      |
| Overall Height (in)                       | 37 1/10"                       |
| Overall Width (in)                        | 29 15/16"                      |
| Oven Interior Dimensions (in) (W x H x D) | 24 13/16" x 21 5/16" x 19 3/4" |
| Height to Cooking Surface (in)            | 36"                            |
| Carton Dimensions (in) (W x H x D)        | 32 1/2" x 45 1/2" x 30 1/2"    |
| POWER/RATINGS                             |                                |
| Amp Rating at 208V                        | 50.5A                          |
| Amp Rating at 240V                        | 56.3A                          |
| KW Rating at 208V                         | 10.5kW                         |
| KW Rating at 240V                         | 13.5kW                         |

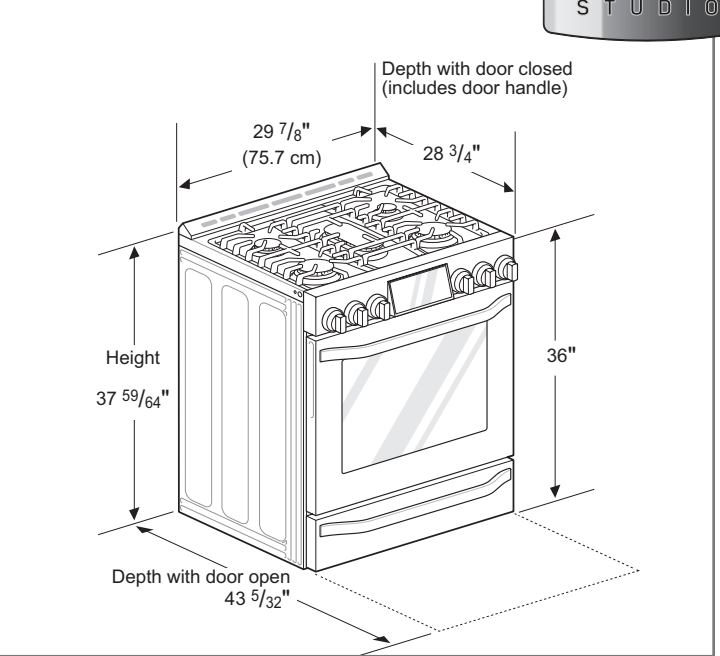
## GAS PIPE AND ELECTRICAL OUTLET LOCATIONS



## CLEARANCES

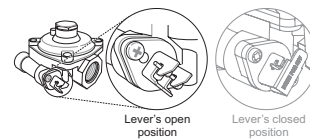


## DIMENSIONS



## CONNECTING THE RANGE TO GAS

- Shut off the range gas supply valve before removing the old range and leave it off until the new hook-up has been completed..
- Install a male 1/2" or 3/4" are union adapter to the NPT internal thread of the manual shut-off valve, taking care to back-up the shut-off valve to keep it from turning.
- Install a male 1/2" are union adapter to the 1/2" NPT internal thread at the inlet of the pressure regulator. Use a backup wrench on the pressure regulator fitting o prevent damage.
- Check that the gas pressure regulator valve is in the open position.



- Connect a fl xible metal appliance connector to the adapter on the range. Position the range to permit connection at the shut-off valve.
- When all connections have been made, be sure all range controls are in the OFF position and the pressure regulator valve is open before turning on the main gas supply valve. Gas leaks may occur in the system and create a hazard. Gas leaks may not be detected by smell alone. Check all gas connection joints and fittings for leaks with a non-corrosive leak detection fluid, then wipe ff.
- Gas suppliers recommend you purchase and install a UL approved gas detector. Install and use in accordance with the installation instructions.

## ELECTRICAL REQUIREMENTS

- 120 Volt, 60 Hz, properly grounded dedicated circuit protected by a 15 or 20 Amp circuit breaker, or slow blow fuse.
- If an external electrical source is utilized, the appliance, when installed, must be electrically grounded in accordance with local codes or, in the absence of local codes, with the National Electrical Code, ANSI/NFPA 70.
- IMPORTANT: FOR PERSONAL SAFETY, THIS APPLIANCE MUST BE PROPERLY GROUNDED.

