



24" (61 cm) Electric Washer/Dryer

PRODUCT MODEL NUMBER

LTE5243D

Electrical: A three- or four-wire, single-phase, 120/240-volt, 60-Hz, AC-only electrical supply (or three- or four-wire, 120/208-volt electrical supply, if specified on the serial/rating plate) on a separate 30-amp circuit, fused on both sides of the line must be provided. A time-delay fuse or circuit breaker is recommended. Connect to an individual branch circuit. Do not have a fuse in the neutral or grounding circuit. Do not use an extension cord.

Exhaust venting: Exhaust your dryer to the outside. Use a heavy metal vent. Do not use plastic or metal foil vent. 4" (102 mm) heavy metal exhaust vent and clamps must be used. DURASAFE™ venting products are recommended. Exhaust outlet hood must be at least 12" (30.5 cm) from the ground or any object that may be in the path of the exhaust. The dryer can be converted to exhaust out right or left side.

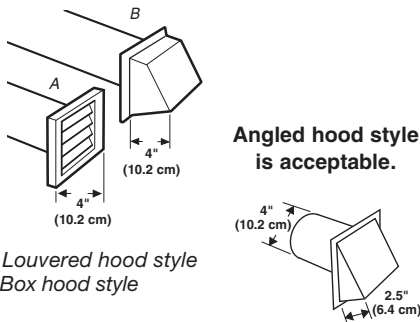
EXHAUST VENTING

Select the route that will provide the straightest and most direct path outdoors. Plan the installation to use the fewest number of elbows and turns. Use the fewest 90° turns possible.

Do not use vent runs longer than specified in vent length chart.

Determine the number of elbows you will need.

Recommended hood styles

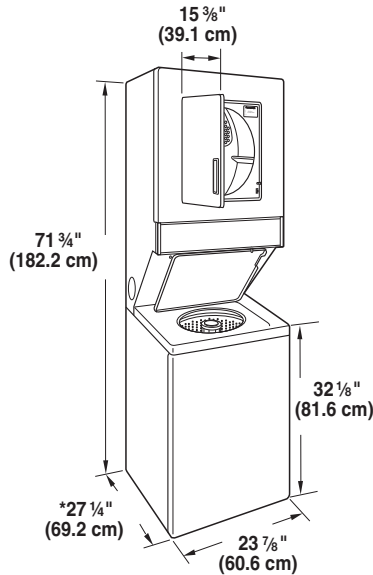


Vent Length Chart

No. of 90° turns or elbows	Type of Vent	Box or Louvered hoods	Angled hoods
0	Rigid metal	43 ft (13.1 m)	36 ft (11.0 m)
1	Rigid metal	33 ft (10.1 m)	26 ft (7.9 m)
2	Rigid metal	23 ft (7.0 m)	16 ft (4.9 m)

NOTE: Side exhaust adds a 90° turn inside the washer/dryer. To determine maximum exhaust length, add one 90° turn to the chart.

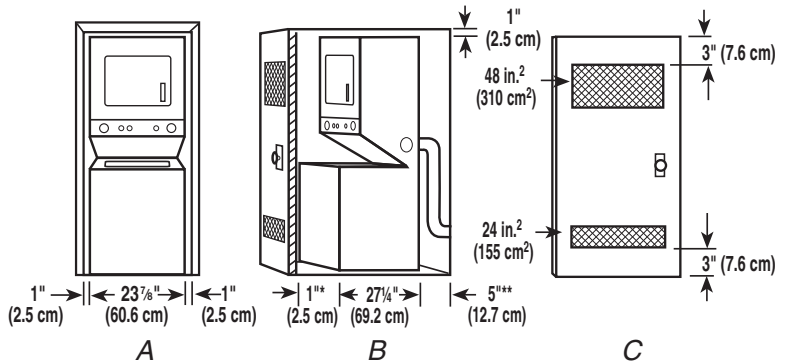
PRODUCT DIMENSIONS



* Most installations require a minimum 5" (12.7 cm) clearance behind the dryer for the exhaust vent with elbow.

RECESSED AREA AND CLOSET INSTALLATION

For closet installation, with a door, minimum ventilation openings in the top and bottom of the door are required. Louvered doors with equivalent ventilation openings are acceptable.



- A. Recessed area
- B. Side view - closet or confined area
- C. Closet door with vents

* Required spacing

** Rear clearance may be 0" (0 cm) when house exhaust system is lined up directly with dryer exhaust.

DRAIN SYSTEM

Standpipe drain system - wall or floor

The standpipe drain requires a minimum diameter standpipe of 2" (5 cm). The minimum carry-away capacity can be no less than 17 gal. (64 L) per minute. A 2" (5 cm) diameter to 1" (2.5 cm) diameter standpipe adapter kit is available.

The top of the standpipe must be at least 39" (99 cm) high and no higher than 96" (2.4 m) from the bottom of the washer.

Laundry tub drain system

The laundry tub needs a minimum 20 gal. (76 L) capacity. The top of the laundry tub must be at least 34" (86.4 cm) above the floor and no higher than 96" (2.4 m) from the bottom of the washer.

Floor drain system

The floor drain system requires a siphon break that may be purchased separately.

The siphon break must be a minimum of 28" (71 cm) from the bottom of the washer. Additional hoses might be needed.