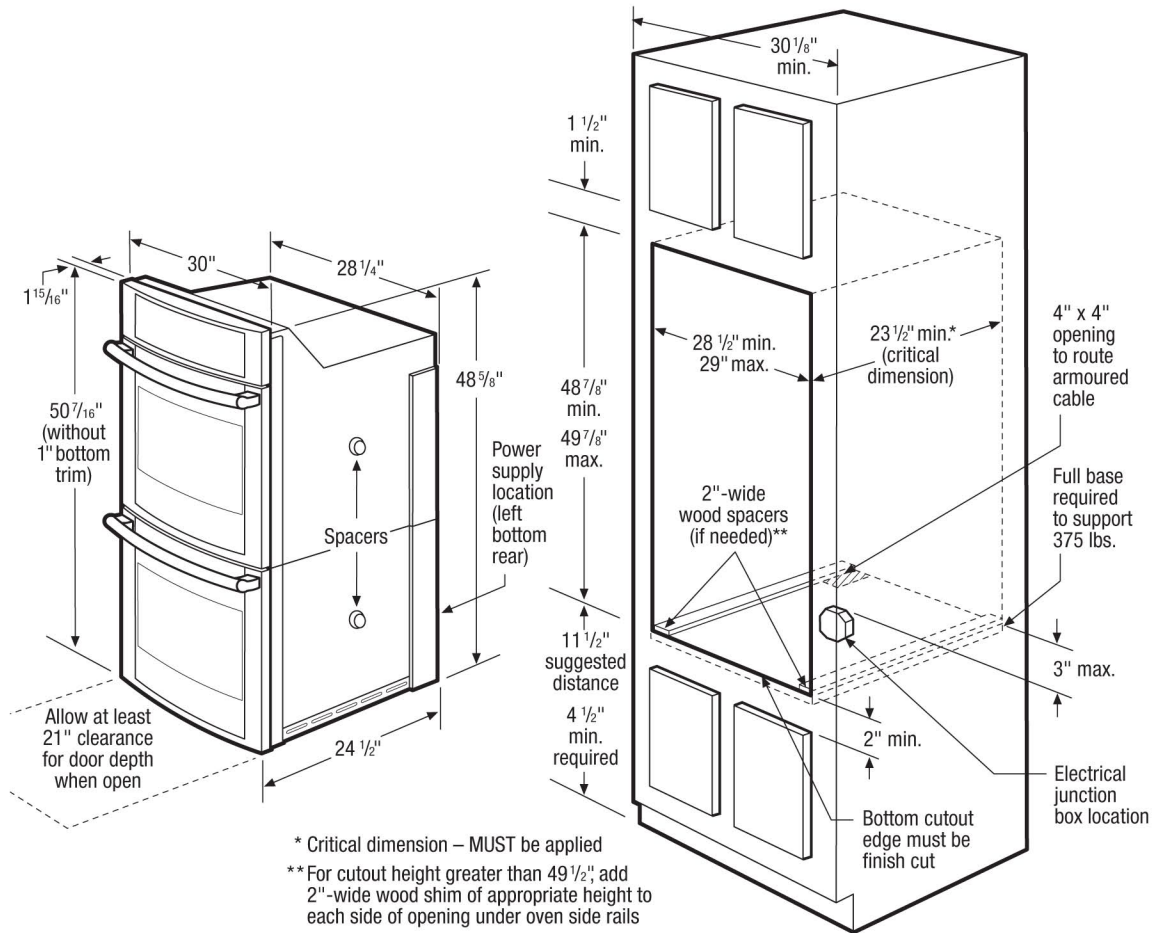


# Double Wall Ovens

EW30EW65G S, EW30EW65G W, EW30EW65G B



## 30" Electric Double Wall Oven Specifications

- Product Weight – 375 Lbs.
- Single phase 3- or 4-wire cable, 120/240 or 120/208 Volt, 60 Hertz AC only electrical supply with ground required on separate circuit fused on both sides of line.
- Connected Load (kW Rating) @ 240/208 Volts = 8.0/6.0kW
- Amps @ 240/208 Volts = 33.0/29.0 Amps
- Recommended Circuit Breaker – 40 Amps
- Always consult local and/or national electric codes.
- Minimum 21" clearance for oven door depth when open.
- Suggested distance from floor is 11-1/2". Minimum required distance is 4-1/2".
- Minimum 23-1/2" deep cutout dimension is critical for proper installation, to ensure that oven's faceplate will fit flush against cabinet front.
- For cutout height greater than 49-1/2", add a 2"-wide wood shim of appropriate height to each side of opening under oven side rails.
- Standard 1"-high Bottom Trim included.

- To adapt Double Wall Oven to fit cutout height greater than 49-7/8", optional 3"-high, Bottom Trim available.
- Full oven base of solid plywood or similar material required, capable of supporting 375 Lbs.
- Base must be level and cabinet front must be square with finish-cut bottom edge.
- Double Wall Ovens are NOT approved to be used in stackable or side-by-side installation.

**Note:** For planning purposes only. Refer to Product Installation Guide on the web at [electroluxappliances.com](http://electroluxappliances.com) for detailed instructions.

### Optional Accessories

- 3"-high Bottom Trim: S – (903114-9110), W – (903114-9101), B – (903114-9100).



USA • 250 Bobby Jones Expressway • Augusta, GA 30907 • 1-877-4electrolux (1-877-435-3287) • [electroluxappliances.com](http://electroluxappliances.com)  
 CANADA • 5855 Terry Fox Way • Mississauga, ON L5V 3E4 • 1-800-265-8352 • [electroluxappliances.ca](http://electroluxappliances.ca)

EW30EW65G 01/08

© 2008 Electrolux Major Appliances, NA

High standards of quality at Electrolux Major Appliances mean we are constantly working to improve our products. We reserve the right to change specifications or discontinue models without notice.



Printed in the U.S.A.