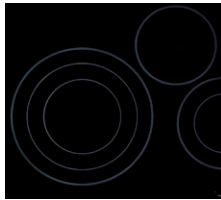
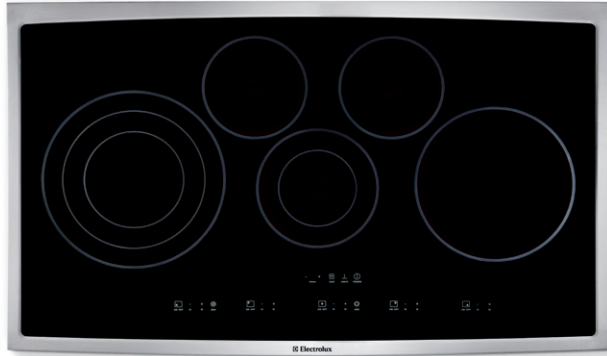


Electric Cooktops

EI36EC45K S, EI36EC45K B



Flex-2-Fit® Elements

Elements adjust up to three sizes, so the element fits the cookware, not the other way around.



Glide-2-Set® Control Panel

Heat is controlled by just the touch of a finger, resulting in a clean look uncluttered by knobs or dials. These controls are intuitive, precise and very stylish.



Easy-to-Clean Cooktop Surface

Smooth glass cooktop makes cleanup a breeze.



Perfect Over A Wall Oven

Mounts above a single wall oven for additional installation options.

36" ELECTRIC TOUCH-CONTROL COOKTOPS

Features

Glide-2-Set® Electronic Touch Controls	Yes
Ceramic Smoothtop Glass Surface	Yes
6" to 9" to 12" Triple Expandable Element – 1200W/2000W/3000W	1
5" to 7" Dual Expandable Element – 750W/1800W	1
9" Electric Element – 3200W	1
6" Electric Element – 1200W	2
Hot Surface Indicator Lights	Yes
Keep Warm Setting	Yes
Sabbath Mode (Star-K® Certified)	Yes
A.D.A. Compliant*	Yes

Accessories

Granite Countertop Installation Kit – PN# 903061-9010	Optional
Cleaning Sponge	Included

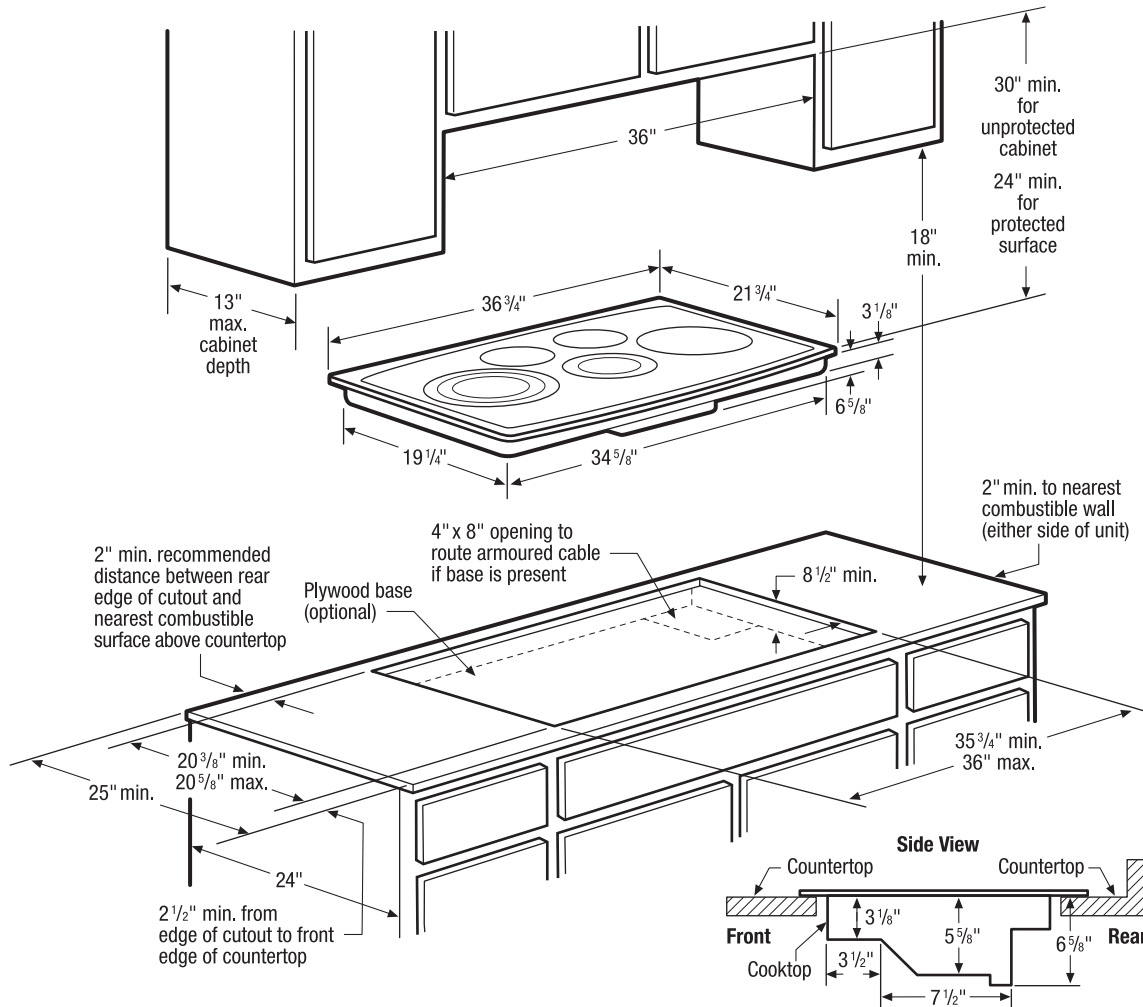
Specifications

Color –	
Stainless Steel	S
Black	B
Product Dimensions –	
Width	36-3/4"
Depth	21-3/4"
Height (Extreme Bottom to Underside of Cooktop)	6-5/8"
Power Supply Connection Location	Right Center Rear
Connected Load (kW Rating) @ 240/208 Volts	10.4/7.8
Amps @ 240/208 Volts	43.3/37.5
Minimum Circuit Required (Amps)	40
Electrical – Single phase 4-wire cable, 120/240 Volts or 120/208 Volts, 60 Hz, fused on both sides of line with ground.	Required
Armored Electrical Cable	Included
Approved for Single Oven Combination Installation**	Yes
Shipping Weight (Approx.)	58 Lbs.

*When properly installed, meets the appliance standards in the Americans with Disabilities Act and the Architectural Barriers Act Accessibility Guidelines as published by the United States Access Board on June 23, 2004, as amended August 5, 2005.

NOTE: Always consult local and national electric and gas codes. Refer to Product Installation Guide for detailed installation instructions on the web at electroluxappliances.com. Specifications subject to change.

****Approved to be used over any Electrolux Single Wall Oven.**



36" Electric Touch-Control Cooktop Specifications

- Product Weight – 50 Lbs.
- Single phase 3- or 4-wire cable, 120/240 or 120/208 Volt, 60 Hertz, fused on both sides of line with ground. (If local code permits, range may be connected by hard-wiring or by means of power supply cord kit.)
- Connected Load (kW Rating) @ 240/208 Volts = 10.4/7.8 kW
- Amps @ 240/208 Volts = 43.3/37.5 Amps
- Recommended Circuit Breaker – 40 Amps
- Always consult local and national electric codes.
- Allow 2" space beneath cooktop or optional platform to clear electrical cable and allow space for installation of junction box on wall at back of cooktop. Position center of junction box 10" inward from right side of cooktop cutout, and 12" down from underside of countertop.
- Overhead cabinetry should not exceed a 13" maximum depth.
- Allow 30" minimum clearance between top of cooktop and bottom of unprotected wood or metal overhead cabinetry.
- Absolute minimum horizontal distance between overhead cabinets installed to either side of appliance must be no less than 36".
- Allow 24" minimum clearance when bottom of wood or metal overhead cabinet is protected by not less than 1/8" flame-retardant millboard covered with not less than No. 28 MSG sheet steel, 0.015" stainless steel, 0.024" aluminum or 0.020 copper.
- Allow 2" minimum clearance between rear edge of cutout and nearest combustible surface above countertop.

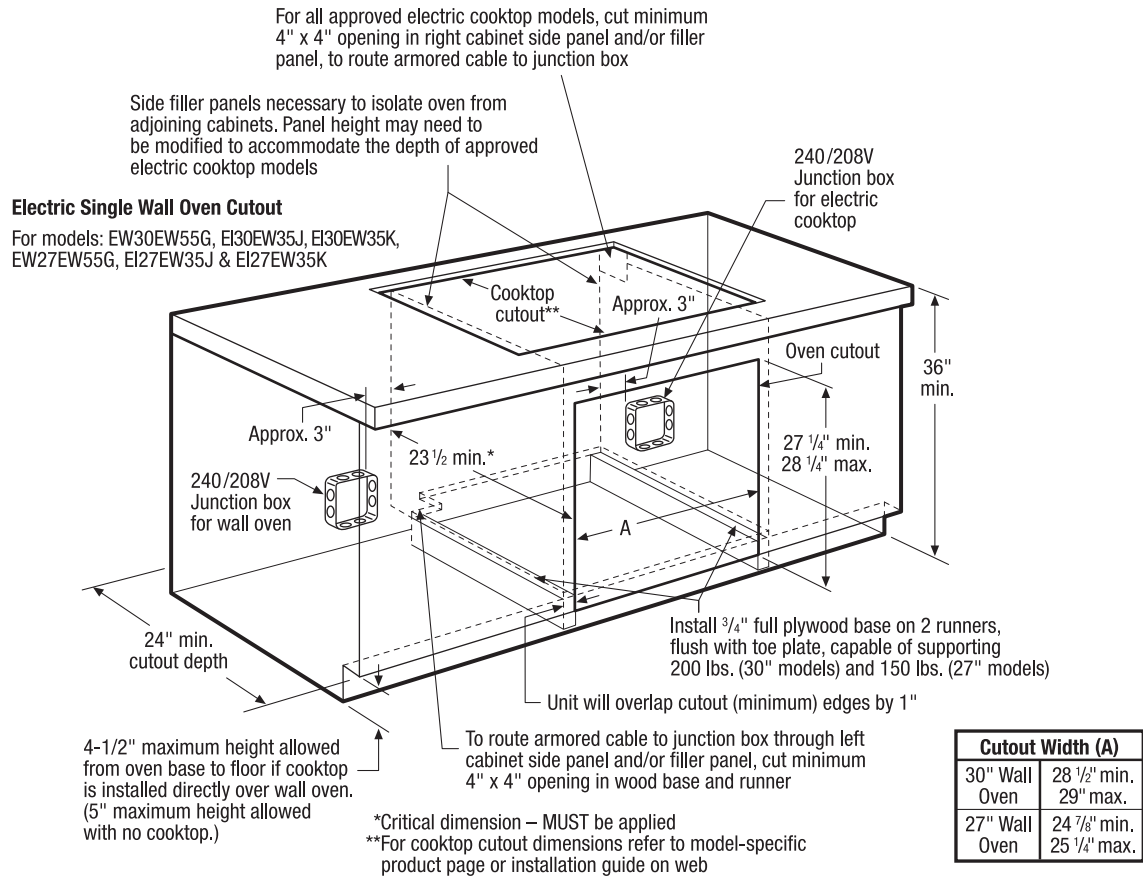
- Allow 2" minimum clearance from edge of cooktop to nearest combustible wall on either side of unit.
- Installation of drawers beneath cooktop requires minimum 10" clearance beneath countertop surface and assured clearance for electrical connection.
- To reduce risk of fire when using overhead cabinetry, install range hood that projects horizontally a recommended minimum of 5" beyond bottom of cabinets.
- Touch-Control Cooktop model EI36EC45K is approved to be used over any Electrolux Electric Single Wall Oven. (Refer to *Electric Cooktop Installation Over 30"/27" Electric Single Wall Oven Specifications* page on web.)

Note: For planning purposes only. Refer to **Product Installation Guide on the web at electroluxappliances.com for detailed instructions.**

Optional Accessories

- Granite Countertop Installation Kit – (PN# 903061-9010).

Electric Cooktop Installation Over 30" / 27" Electric Single Wall Oven



30" & 27" Electric Single Wall Ovens Under-Counter Installation Specifications

- Product Weights – (EW30EW55G, EI30EW35J and EI30EW35K) 200 Lbs. / (EW27EW55G, EI27EW35J and EI27EW35K) 150 Lbs.
- Single phase 3- or 4-wire cable, 120/240 or 120/208 Volt, 60 Hertz AC only electrical supply with ground required on separate circuit fused on both sides of line.
- Connected Load (kW Rating) @ 204/208 Volts = (EW30EW55G) 4.0/3.0 kW / (EW27EW55G) 3.4/2.6 kW / (EI30EW35J/EI30EW35K) 4.2/3.2 kW / (EI27EW35J/EI27EW35K) 3.6/2.7 kW
- Amps @ 240/208 Volts = (EW30EW55G) 16.7/14.4 kW / (EW27EW55G) 14.2/12.5 kW / (EI30EW35J/EI30EW35K) 17.5/15.4 kW / (EI27EW35J/EI27EW35K) 15.0/13.0 kW
- Recommended Circuit Breaker – 20 Amps
- Always consult local and national electric codes.
- Minimum 21" clearance for oven door depth when open.
- Minimum 23-1/2" deep cutout dimension is critical for proper installation, to ensure that oven's faceplate will fit flush against cabinet front.
- Full oven base of solid plywood or similar material required, capable of supporting 200 Lbs. (30" models) or 150 Lbs. (27" models). Install over two runners and flush with toe plate.
- Base must be level and cabinet front must be square.
- Allow 5" maximum height from oven base to floor, if NO cooktop is installed directly over wall oven.

Electric Cooktop Installation Over 30" / 27" Electric Single Wall Oven Specifications

Electrolux Single Wall Oven models EW30EW55G, EI30EW35J, EI30EW35K, EW27EW55G, EI27EW35J and EI27EW35K are approved to be used beneath Electrolux cooktop models EW36EC55G, EW30EC55G, EW36IC60L, EW30IC60L, EW36CC55G, EW30CC55G, EI36EC45K and EI30EC45K.

For detailed Electric Cooktop installation, refer to model-specific product page and installation guide on web.

- Side filler panels necessary to isolate oven from adjoining cabinets. Panel height may need to be modified to accommodate the depth of approved electric cooktop models.
- To route armored cable to junction box, cut minimum 4" x 4" opening in right cabinet side panel.
- Allow 4-1/2" maximum height from oven base to floor, if cooktop is installed directly over wall oven.

Note: For planning purposes only. Refer to Product Installation Guide on the web at electroluxappliances.com for detailed instructions.

Electrolux Major Appliances, N.A.

USA • 10200 David Taylor Drive • Charlotte, NC 28262 • 1-877-4electrolux (1-877-435-3287) • electroluxappliances.com
CANADA • 5855 Terry Fox Way • Mississauga, ON L5V 3E4 • 1-800-265-8352 • electroluxappliances.ca