

# EATON'S COOPER LIGHTING - ALL-PRO™

## DESCRIPTION

The ALL PRO Series is the most economical LED combo (including two LED emergency light heads) for general purpose applications. The durable, injection molded, thermoplastic material resists discoloration due to UV radiation and the energy efficient, low maintenance LEDs provide bright illumination. AP series combo offers universal configurations (single and double face) and have universal mounting capability ceiling, wall, end). The exit includes all parts to be configured for red or green letters.

## SPECIFICATION FEATURES

### Electrical

- Dual Voltage Input 120/277 VAC, 60Hz
- Line-latching
- Solid-State Voltage Limited Charger
- Solid-State Switching
- Brownout Protection
- Low Voltage Disconnect
- Overload/Short Circuit Protection
- Test Switch / Power Indicator Light
- 3.6V, .78W DC long Lasting LED Heads

### Housing Construction

- All components are injection molded, color stable, high impact thermoplastic material
- Designer white textured finish standard
- Components are of snap-fit construction to facilitate under 5-minute installation
- Reinforcing ribs throughout to provide maximum strength
- Molded-in wireways facilitate internal wire routing and connections

- All components including battery and electronics are located inside the exit housing
- Snap-out or snap-in chevron directional indicators have full 3/4" stroke
- Universal exits can be field configured as single face or double face Red/Green
- Snap-fit canopy with captive mounting screws included with all exits
- Exit can be ceiling, wall, or end mounted
- Universal J-box mounting pattern
- Operating temperature range 10C to 40C.

### Battery

- Sealed Nickel Cadmium
- Maintenance Free, Long Life
- Standard Recharge Time: 24 hrs (max.).

### Code Compliance

- UL 924 Listed
- UL Damp Location Listed
- Life Safety NFPA 101
- NEC/OSHA
- Most State and Local Codes

### Lamp Data

- AC LED: Long life LED lamps provide uniform diffused illumination
- DC: LED DC lamps (Brighter in emergency mode)
- Heads DC: 3.6V, .78W Long Life LED Heads Light Output Equivalent to 5.4W Incandescent

### Warranty

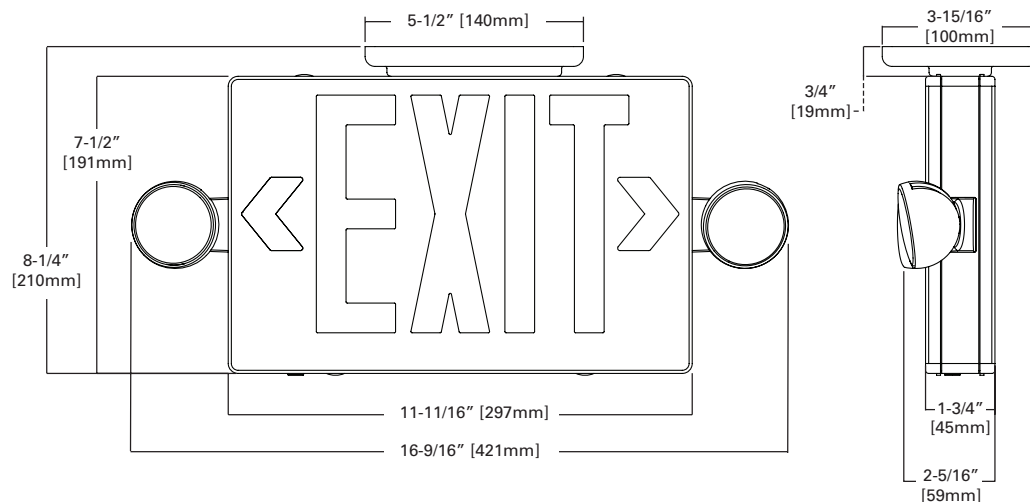
- Five-year warranty



## APLC7RG

THERMOPLASTIC  
HOUSING LED COMBO  
LED HEADS  
SELF POWERED  
RED AND GREEN  
LED OPTIONS INCLUDED  
NICKEL CADMIUM  
BATTERY  
EXIT/EMERGENCY  
LIGHTING

## Dimension



For complete product data, reference the Fluorescent Specification binder. Specifications & dimensions subject to change without notice. Consult your Eaton's Cooper Lighting Representative for availability and ordering information.