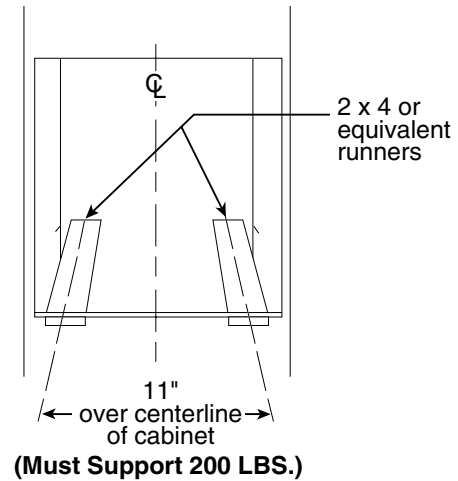
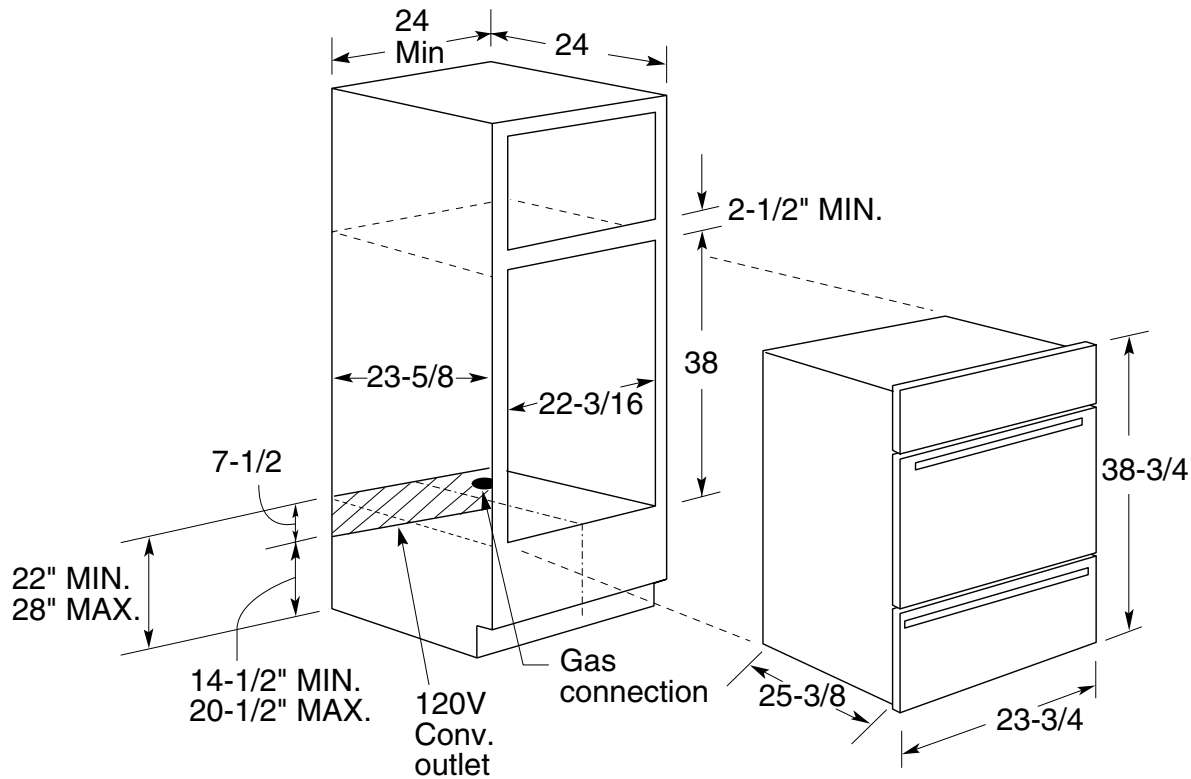




GE Appliances

JGRS06BEJ – GE® 24" Built-In Gas Oven

Dimensions (in inches)



Installation Information: Before installing, consult installation instructions packed with product for current dimensional data.

Electrical Rating: 120V, 60Hz, 5A

Note: Cabinets installed adjacent to wall ovens must have an adhesion spec of at least 194° temperature rating.

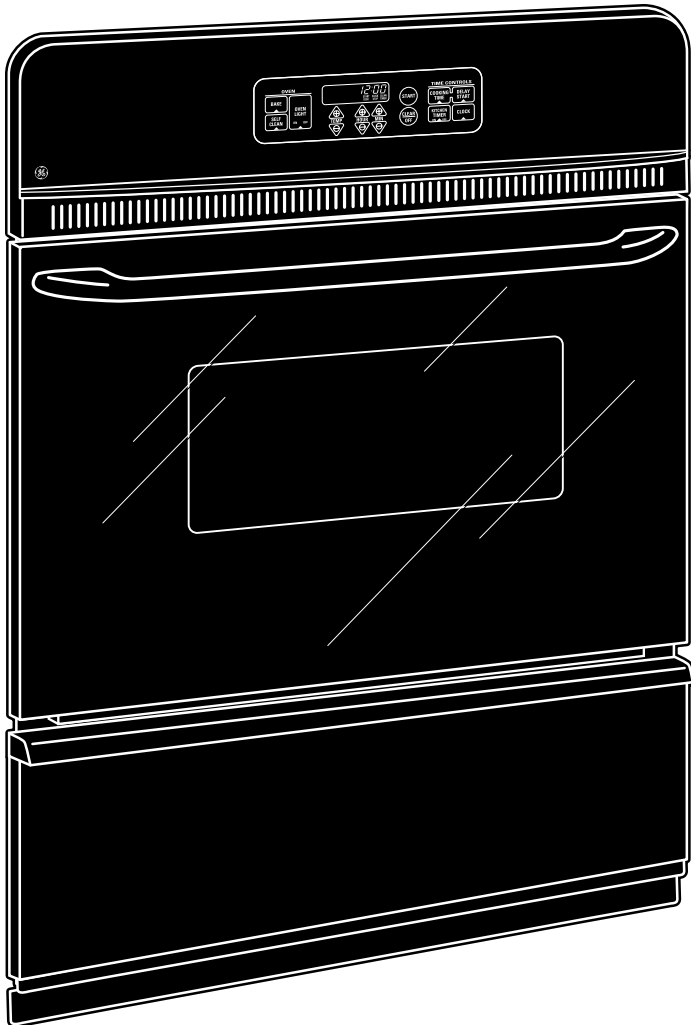


For answers to your Monogram®, GE Profile™ or GE® appliance questions, visit our website at GEAppliances.com or call GE Answer Center® service, 800.626.2000.



GE Appliances

JGRS06BEJ – GE® 24" Built-In Gas Oven



Features and Benefits

- Electronic oven controls – One-touch electronic pads are easy-to-use and allow for simple oven operation
- ClearView™ window – Provides a convenient viewing area to check the progress of food
- Broiler drawer – Supplies a concentrated heat for crisping and browning
- Interior oven light – Supplies light to make viewing the progress of cooking easy and convenient
- Two oven racks – Feature a durable construction to help accommodate any size or type of cookware
- Multiple oven rack positions – Deliver flexibility and allow consumers to make the most of available oven capacity
- Frameless glass oven door – Offers an easy-to-clean and stylish design that blends seamlessly into existing cabinetry
- Model JGRS06BEJBB – Black on black

Specification Created 1/04

330122