

JGAS02SEN

GE® 24" Standard Clean Free-Standing Gas Range

Dimensions and Installation Information (in inches)

Optional Gas Range Accessory Drip Pans for Sealed and Standard Burner Models

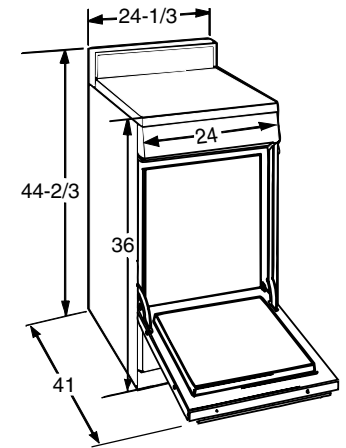
(Available at additional cost)

To order these accessory drip pans, call toll-free 800-626-2002

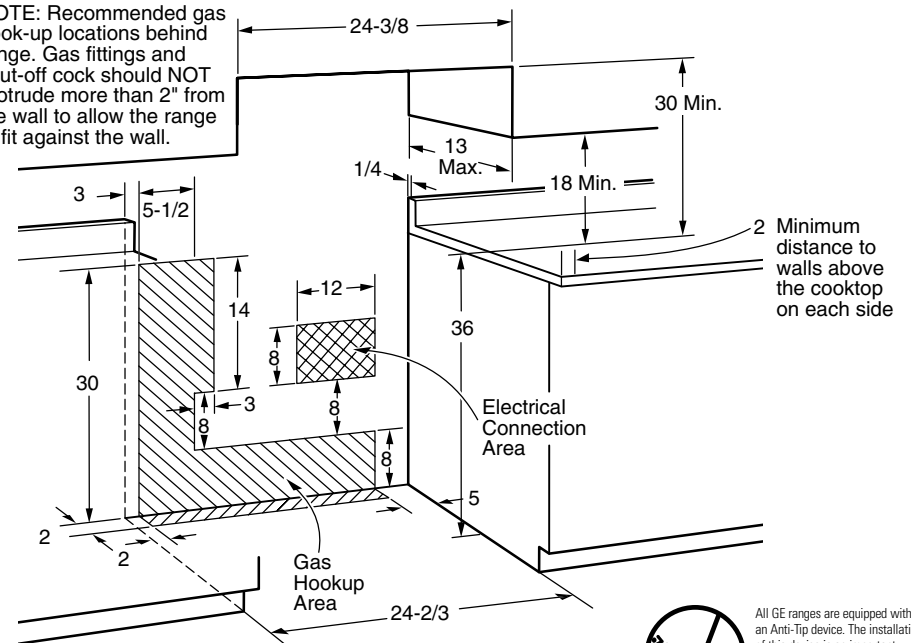
Gas Self-Clean Range Anti-Tip Bracket (Part No. 205C1714P001)

Electrical Rating: 120V, 60Hz, 5A

Installation Information: Before installing, consult installation instructions packed with product for current dimensional data.



NOTE: Recommended gas hook-up locations behind range. Gas fittings and shut-off cock should NOT protrude more than 2" from the wall to allow the range to fit against the wall.



For answers to your Monogram®, GE Profile™ or GE® appliance questions, visit our website at ge.com or call GE Answer Center® service, 800.626.2000.



imagination at work



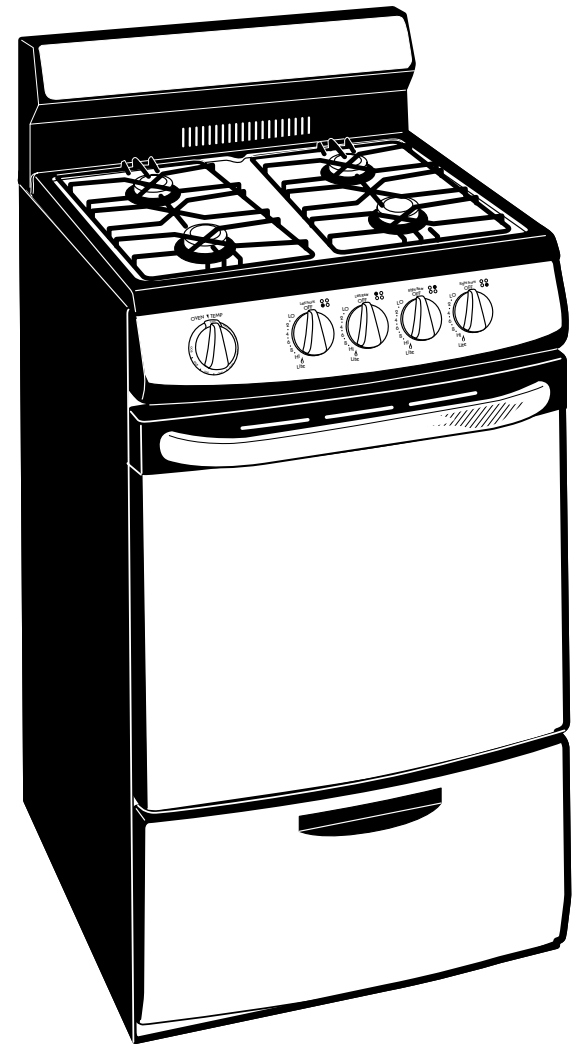
All GE ranges are equipped with an Anti-Tip device. The installation of this device is an important, required step in the installation of the range.

JGAS02SEN

GE® 24" Standard Clean Free-Standing Gas Range

Features and Benefits

- Standard Clean Oven - Offers a traditional oven design that requires hand cleaning
- All Purpose Burners - Deliver a wide range of heat output ideal for most cooking requirements
- Heavy Cast Square Grates
- Porcelain Upswept Cooktop - Features raised edges to help contain spills and make clean-up easy
- Lift-Up Cooktop - Cooktop lifts up for easy access to porcelain-enameled subtop
- Electronic Ignition - Ensures a continuous flame and reignites automatically if accidentally extinguished
- Four Embossed Rack Positions - Increase cooking flexibility and maximize oven capacity
- Broiler Drawer - Supplies a concentrated heat for crisping and browning
- Extra Large Broiler Pan and Grid
- Model JGAS02SENS - Stainless steel



imagination at work