

PGP989DN/TN

GE Profile™ 30" Downdraft Gas Cooktop

Dimensions and Installation Information

Wall Installation: Wall installations require 25" countertop depth. When cabinet is flush against the wall, the fan housing can be rotated to the horizontal position for direct venting through rear wall. Make a countertop cutout in the range cabinet according to unit dimensions and installation type. Duct hole is positioned in back of cabinet for through-the-wall ducting. Requires special offset adapter JXRW89.

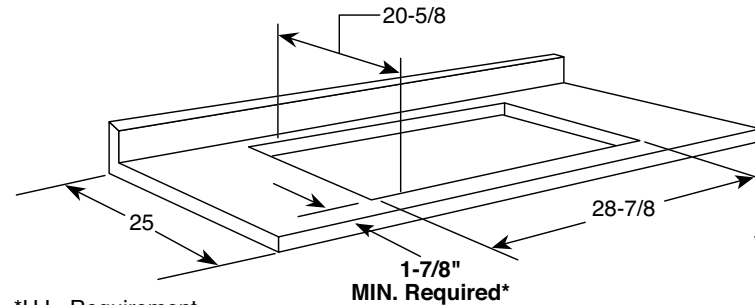
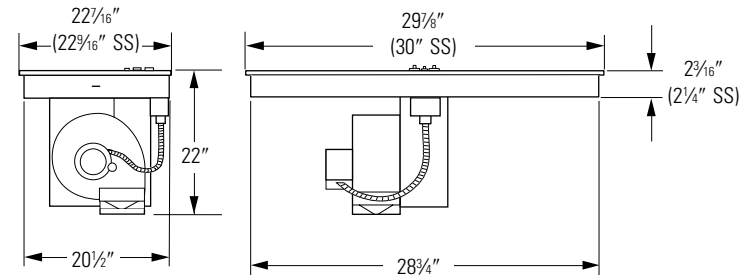
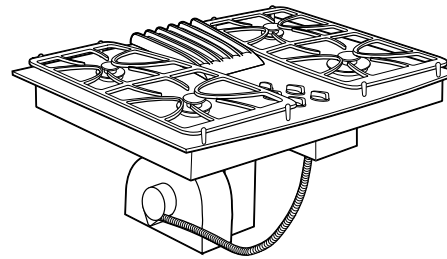
Peninsula or Island Installation: For peninsula/islands a minimum 26" countertop depth is suggested. Blower should be in vertical position. Island or peninsula cabinets may require adjustment in cutout depth and/or location within the width dimensions. Duct hole is positioned in bottom of cabinet for island or peninsula installation.

Slab Installation: For peninsula or island installation and rear wall ducting, **6" PVC duct or locally approved piping should be used if installing under a poured concrete slab.**

Installation Information: Before installing, consult installation instructions, packed with product, for current dimensional data.

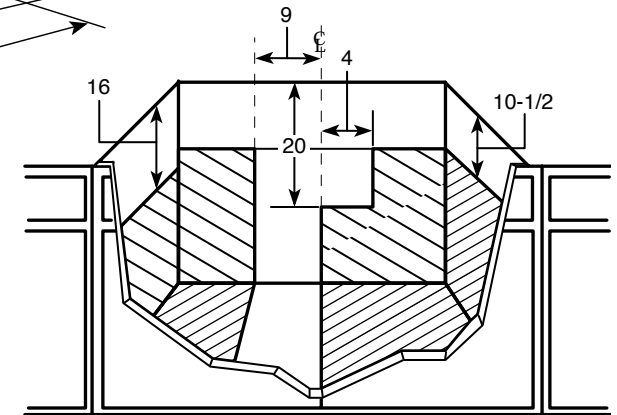
Note: These cooktops are approved for indoor use only.

For answers to your Monogram®, GE Profile™ or GE® appliance questions, visit our website at ge.com or call GE Answer Center® service, 800.626.2000.



*U.L. Requirement.

Note: A 5" minimum spacing to adjacent side wall is required



*Note: A 5" minimum spacing to adjacent side wall is required
Dimension and installation information are shown in inches.



Specification Revised 4/09

230284

PGP989DN/TN

GE Profile™ 30" Downdraft Gas Cooktop

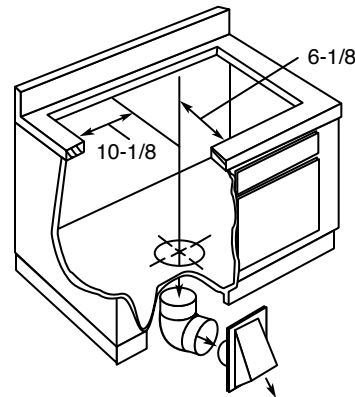
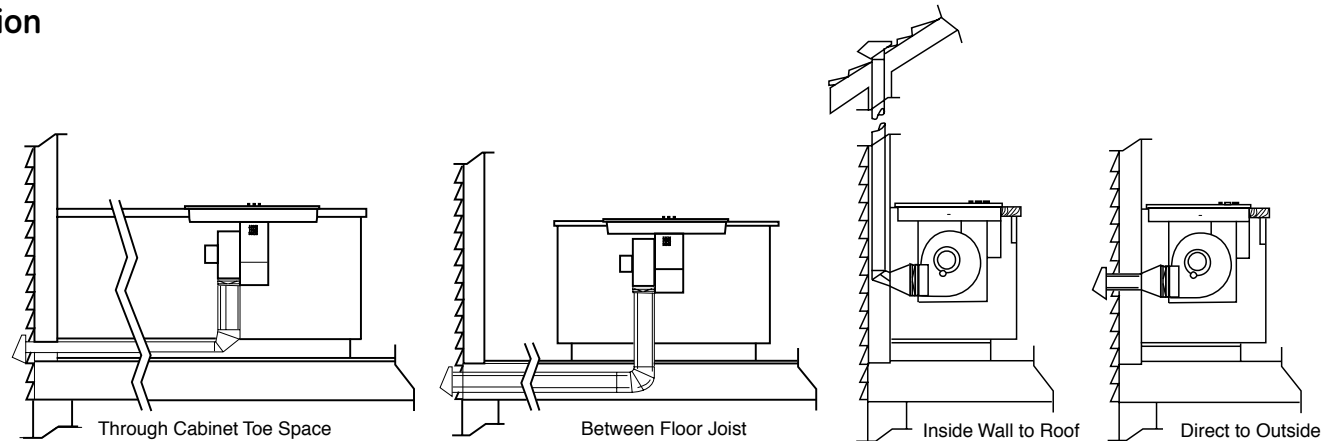
Dimensions and Installation Information

Installing the Ductwork: Use galvanized or aluminum duct in 6" round or 3-1/4" x 10" size, or combination of both. **PVC duct or locally approved piping should be used if installing under a poured concrete slab.** Local building code must be followed in specifying type and schedule of all duct used.

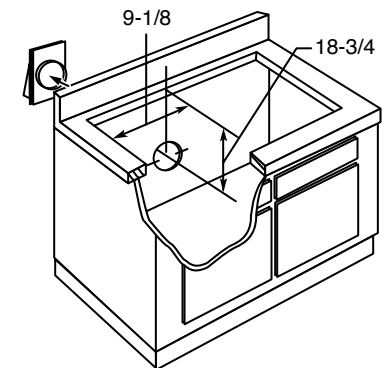
Note: Ductwork must be vented to outside. Do not vent into a wall, ceiling, crawlspace, attic or any concealed space. Always use an appropriate roof or wall cap with damper.

Laundry-type wall caps should never be used. For maximum efficiency use the shortest and straightest duct run possible, with as few fittings as possible.

For satisfactory performance the duct run should not exceed 100 feet equivalent length. Refer to the table of equivalent lengths (shown in installation instructions) for various duct configurations.



Downward Venting



Rear Wall Venting

For answers to your Monogram®, GE Profile™ or GE® appliance questions, visit our website at ge.com or call GE Answer Center® service, 800.626.2000.

Dimension and installation information are shown in inches.



imagination at work



Listed by
Underwriters
Laboratories

Specification Revised 4/09

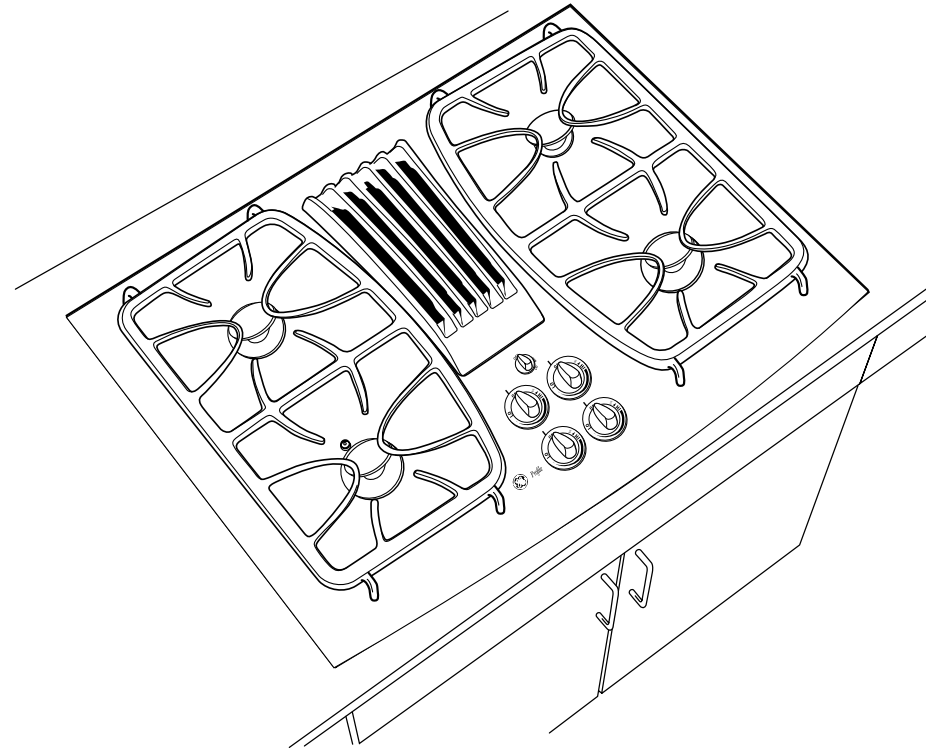
230284

PGP989DN/TN

GE Profile™ 30" Downdraft Gas Cooktop

Features and Benefits

- Downdraft Exhaust - Powerful exhaust system effectively pulls smoke and steam out of the kitchen
- Gas On Glass Cooktop - Features a flat one-piece ceramic glass surface that is sleek and easy-to-clean
- Sealed Cooktop Burners - Eliminate the space between the burners and the cooktop to help contain spills and boil over liquids, ensuring easy cleanup
- Continuous Grates - Provide a flat, sturdy surface allowing easy movement of pans between burners
- Dishwasher-Safe Grates and Knobs - Feature durable construction for worry-free, effortless cleaning and maintenance
- Deluxe Cast Grates - Constructed from a premium cast iron material for a long-lasting performance and durability
- Upfront Controls - Controls are placed within easy reach at the front center of the cooktop
- Model PGP989TNWW - True White
- Model PGP989DNBB - Black on black



imagination at work

Specification Revised 4/09

230284