

# GLD5604/5654/5664V

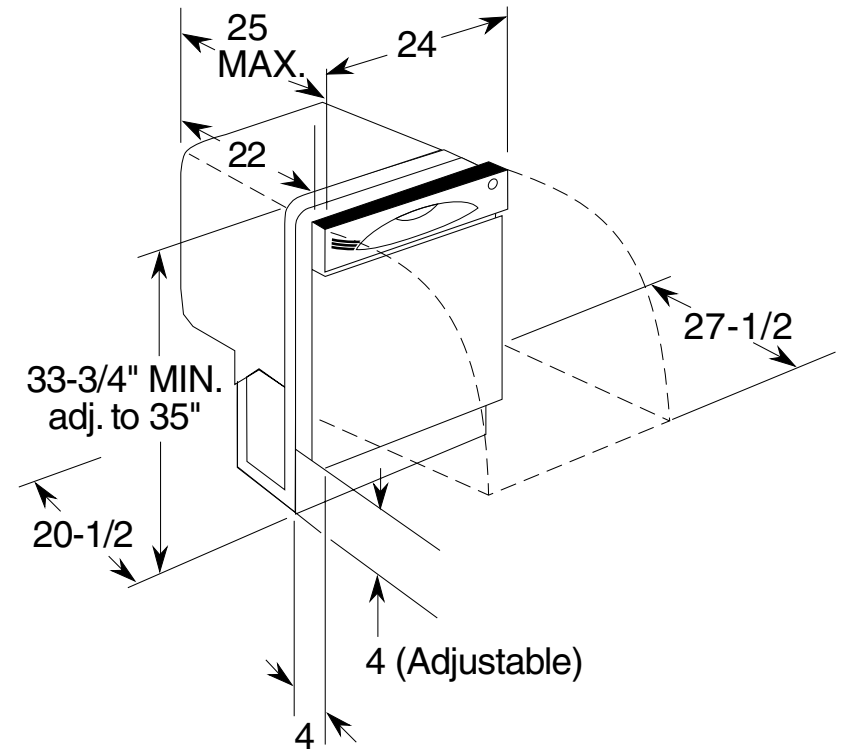
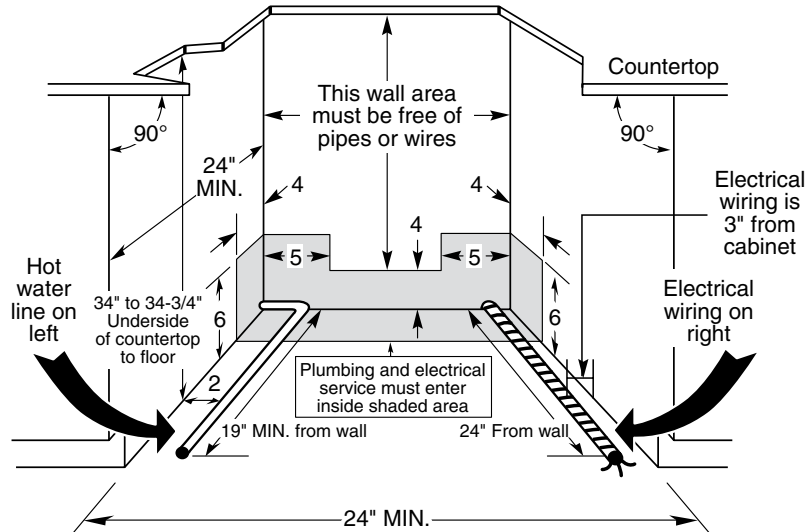
## GE® Tall Tub Built-In Dishwasher

### Dimensions and Installation Information (in inches)

#### Electrical Rating

Voltage AC.....	120
Hertz.....	60
Total connected load amperage.....	10
Calrod® heater watts max.....	875

For use on adequately wired 120-volt, 15-amp circuit having 2-wire service with a separate ground wire. This appliance must be grounded for safe operation.



For answers to your Monogram®, GE Profile™ or GE® appliance questions, visit our website at [geappliances.com](http://geappliances.com) or call GE Answer Center® service, 800.626.2000.



Listed by  
Underwriters  
Laboratories



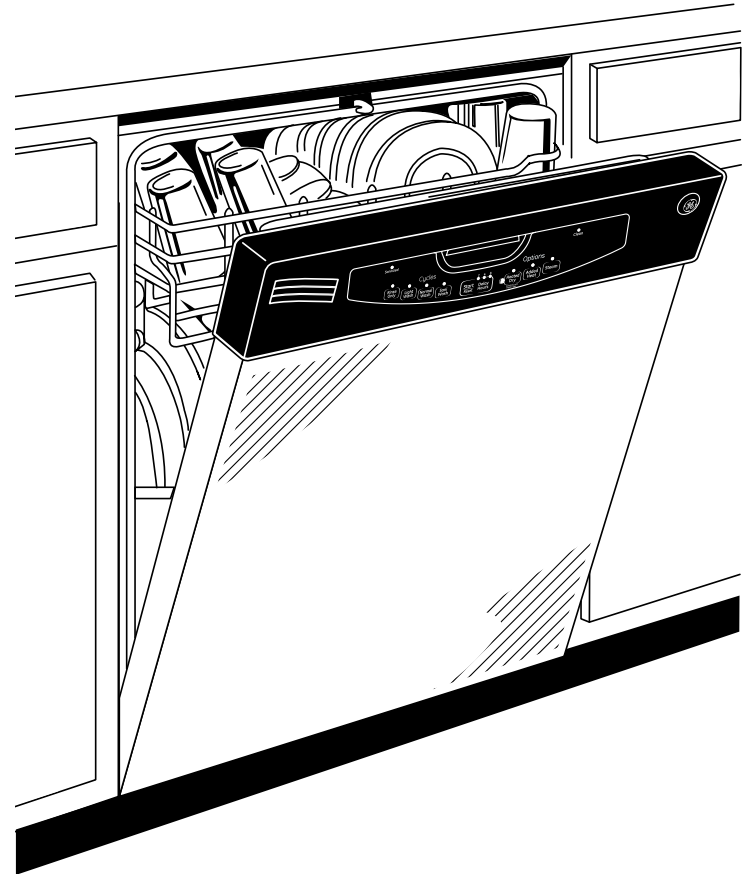
As an ENERGY STAR® partner, GE has determined that this product meets the ENERGY STAR guidelines for energy efficiency.

# GLD5604/5654/5664V

## GE® Tall Tub Built-In Dishwasher

### Features and Benefits

- 5-stage filtration with Piranha™ hard food disposer - 5 self-cleaning filters ensure clean dishes
- Dedicated silverware jets - Highly pressurized spray jets target the silverware area for improved cleaning
- Steam PreWash - Loosens tough soils before any cycle virtually eliminating the need for soaking or pre-rinsing dishes
- CleanSensor™ - A highly sensitive laser continually monitors the soil level and temperature in every cycle, adjusting water and cycle times as needed for the optimal cleaning results
- Natural convection heated dry option - A drying element effectively dries dishes reducing the need to towel dry after unloading
- 57 dBA sound level - Quiet operation with two-pump system means a big clean with little sound
- Pearlescent gray nylon deep-tiered rack with StemSafe™ - Long-lasting, durable nylon coated racks resist rust and secure dishes
- ENERGY STAR® qualified and CEE Tier II rated - Meets or exceeds federal guidelines for energy efficiency for year-round energy and money savings
- SaniWash cycle (NSF residential) - High temperature rinse sanitizes and reduces 99.999% of bacteria found on dishes
- Audible end-of-cycle signal - The dishwasher makes a sound to tell you when the load is complete and dishes are ready to unload
- Model GLD5664VSS – Stainless steel (shown)
- Model GLD5654VCS – CleanSteel™
- Model GLD5604VWW – White on white
- Model GLD5604VBB – Black on black



imagination at work



As an ENERGY STAR® partner, GE has determined that this product meets the ENERGY STAR guidelines for energy efficiency.