

GSC3500D

GE® Convertible Dishwasher

DIMENSIONS AND INSTALLATION INFORMATION (IN INCHES)

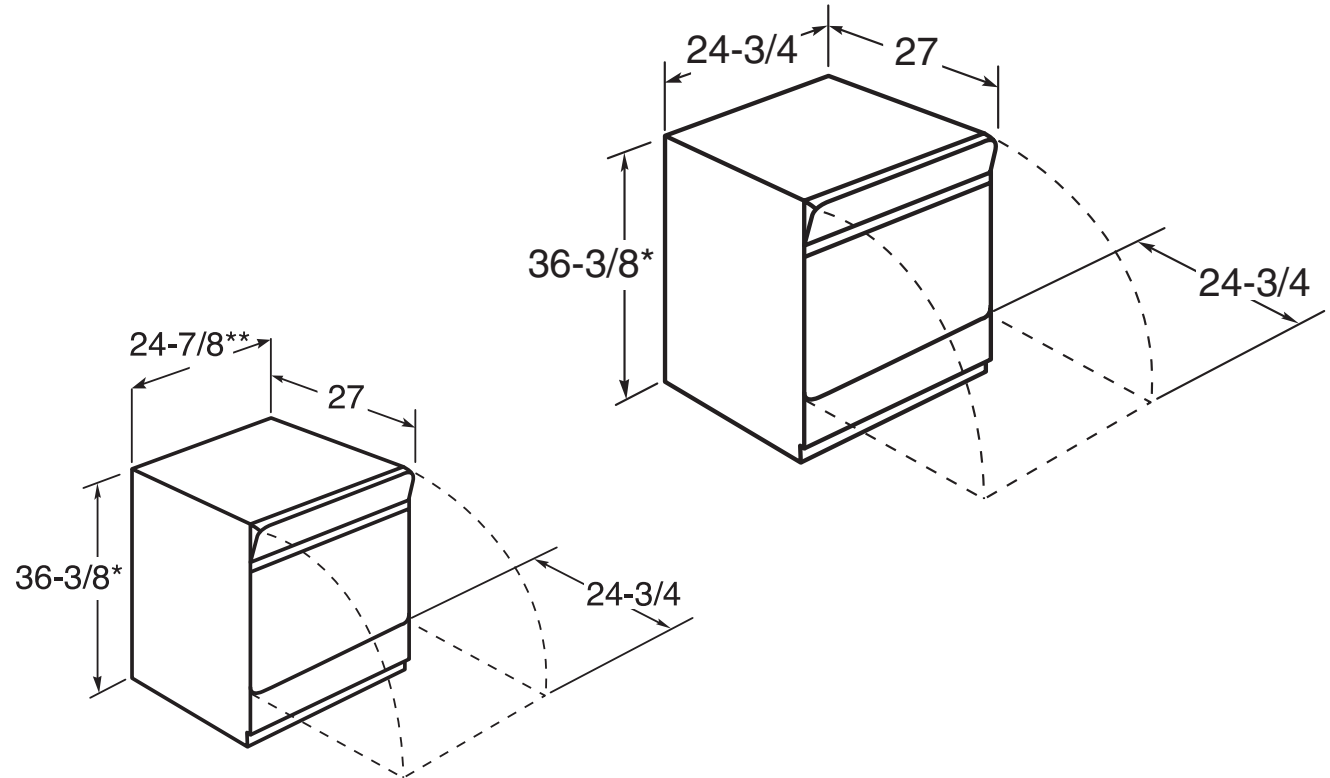
ELECTRICAL RATING

Voltage AC	120
Hertz.....	60
Total connected load amperage.....	6.2
Calrod® heater watts max.....	500

For use on adequately wired 120-volt, 15-amp circuit having 2-wire service with a separate ground wire. This appliance must be grounded for safe operation.

IMPORTANT NOTE: GE Kit number WD35M34 needed when adapting GE Convertible Dishwasher to a built-in installation. Contains built-in dishwasher water valve, hardware and complete instructions for changing a GE Convertible Dishwasher to an under-the-counter installation.

INSTALLATION INFORMATION: Before installing, consult installation instructions packed with product for current dimensional data.



*Includes top and wheels

**Includes countertop



For answers to your Monogram, GE Café™ Series, GE Profile™ Series or GE Appliances product questions, visit our website at geappliances.com or call GE Answer Center® Service, 800.626.2000.

GSC3500D

GE® Convertible Dishwasher

FEATURES AND BENEFITS

3-level wash system - Powerful wash cleans dishes thoroughly

Woodgrain laminate top - Creates a durable, attractive surface

Two-stage filtration with Extra Fine filter - Extra filtration keeps water clean

Piranha™ hard-food disposer - Grinds food into small particles that are washed away

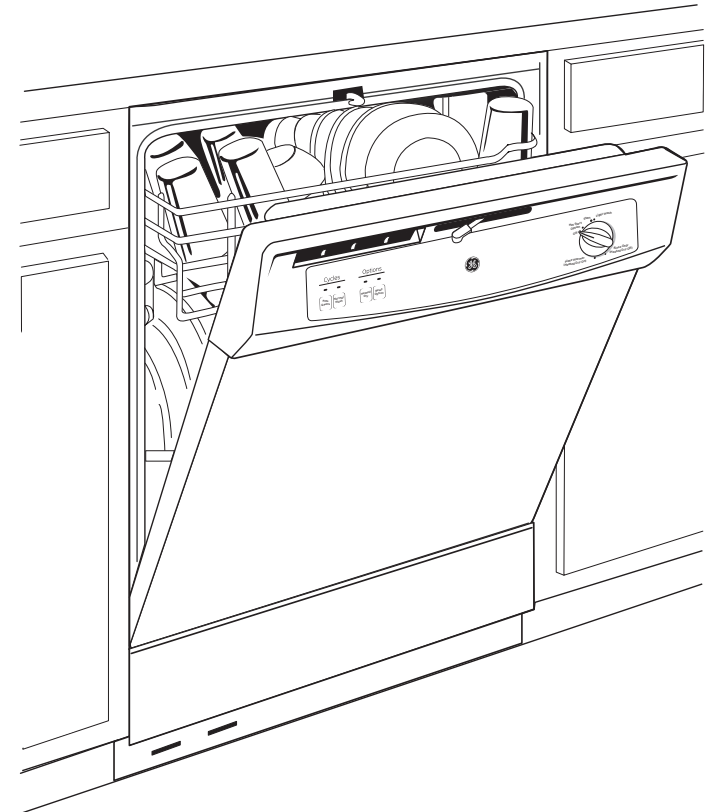
Pots and Pans cycle - removes difficult soils from cookware

Up to 12-place setting capacity racking - Provides flexibility to wash a variety of dishes at once

64 dBA - motor runs quietly to keep kitchen peaceful

Model GSC3500DWW - White on white

Model GSC3500DBB - Black on black



For answers to your Monogram, GE Café™ Series, GE Profile™ Series or GE Appliances product questions, visit our website at geappliances.com or call GE Answer Center® Service, 800.626.2000.

Specification Revised 6/17