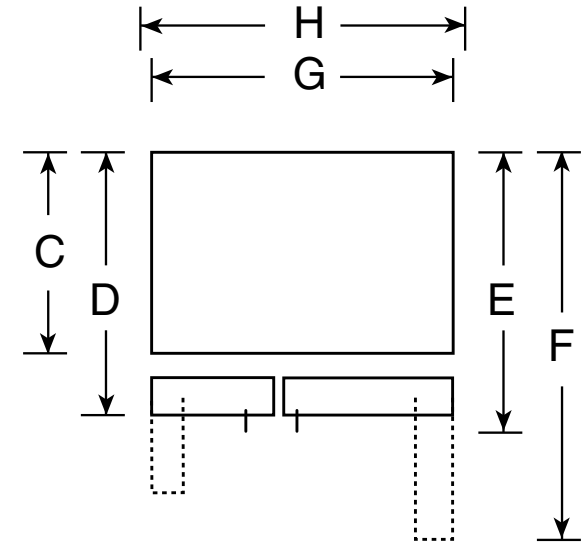
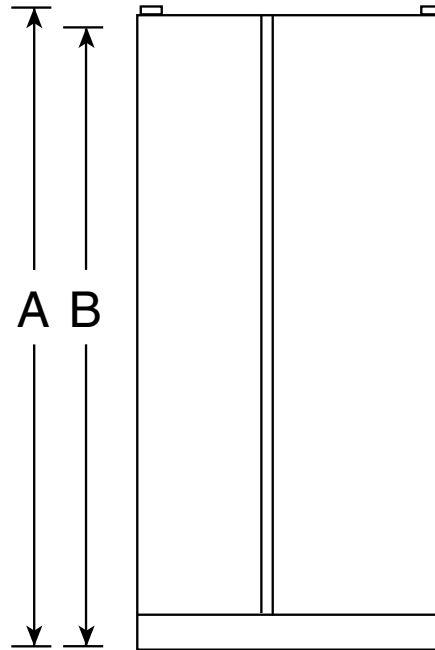


GSHS6HGD

GE® ENERGY STAR® 25.9 Cu. Ft. Side-By-Side Refrigerator

Dimensions and Installation Information (in inches)

Overall Dimensions	Height to top of hinge (in.) A	69-1/4
	Height to top of case (in.) B	68-3/4
	Case depth without door (in.) C	28
	Case depth less door handle (in.) D	31-1/4
	Case depth with door handle (in.) E	36
	Depth with fresh food door open 90° (in.) F	50-1/8
	Width (in.) G	35-3/4
	Width with door open 90° inc. door handle (in.) H	40-3/4
Air	Each side (in.)	1/8
	Top (in.)	1
	Back (in.)	1



For answers to your Monogram,® GE Profile™ or GE® appliance questions, visit our website at geappliances.com or call GE Answer Center® service, 800.626.2000.



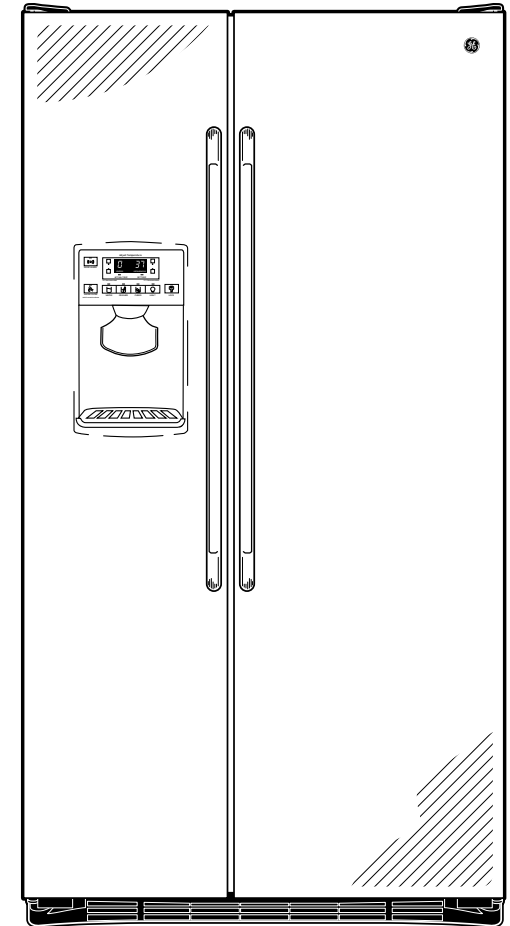
As an ENERGY STAR® partner, GE has determined that this product meets the ENERGY STAR guidelines for energy efficiency.

GSHS6HGD

GE® ENERGY STAR® 25.9 Cu. Ft. Side-By-Side Refrigerator

Features and Benefits

- Stainless steel exterior - Stainless steel adds elegance to any kitchen décor
- Integrated dispenser with UltraFlow64 - See the exact temperature and dispense 64 ounces of filtered water per minute
- Freshness Center™ (2-stack drawer system) - Maintain fresh tastes with two humidity-controlled crisper drawers
- Adjustable door bins - Creates additional storage space for milk and other gallon-size containers
- In-the-door can rack - Beverages are easy to grab when you're on the go
- Adjustable, slide-out spillproof glass shelves - Adjustable shelves are designed to make clean up quick and easy
- GE water filtration - six month filter - Removing impurities means fresh-tasting water for your family
- FrostGuard™ technology - Controlled defrosting keeps frozen foods from feeling the burn
- AutoEnergy saver - Senses door openings and adjusts refrigeration operation cycles accordingly
- NeverClean™ condenser - Sealed compartment keeps coils clean and simplifies maintenance
- Model GSHS6HGDSS - Stainless Steel



imagination at work



As an ENERGY STAR® partner, GE has determined that this product meets the ENERGY STAR guidelines for energy efficiency.