

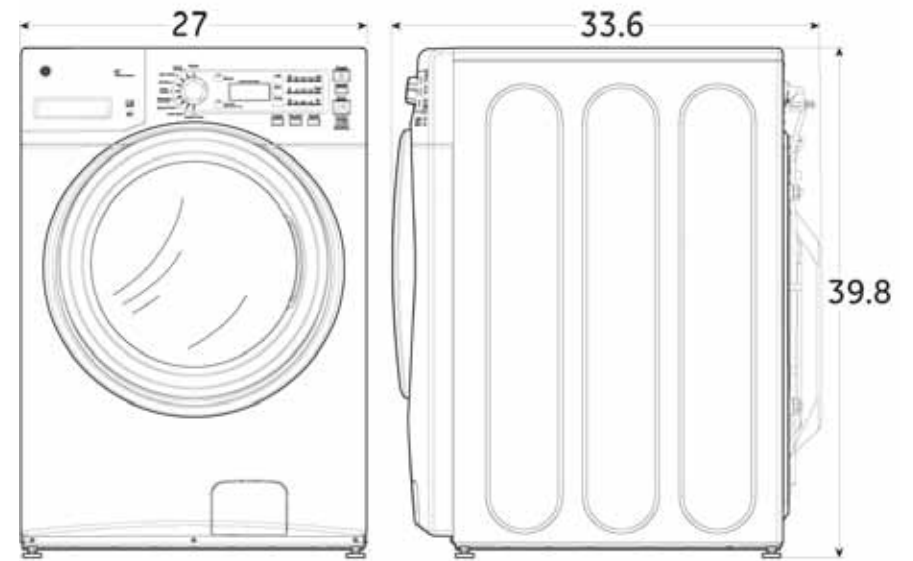
GFWH1400D

GE® ENERGY STAR® 4.1 DOE cu. ft. stainless steel capacity frontload washer

Dimensions and Installation Information (in inches)

Electric Dryer Rating	
120V	12.0A, 60Hz

Installation Information: For complete information, see installation instructions packed with your washer.



For answers to your Monogram®, GE Profile™ or GE® appliance questions, visit our website at geappliances.com or call GE Answer Center® service, 800.626.2000.



imagination at work



Listed by
Underwriters
Laboratories

GFWH1400D

GE® ENERGY STAR® 4.1 DOE cu. ft. stainless steel capacity frontload washer

Alcove or Closet Installation:

- If your dryer is approved for installation in an alcove or closet, it will be stated on a label on the dryer back.
- The dryer MUST be exhausted to the outside.
- Minimum clearances between dryer cabinet and adjacent walls or other surfaces are: 0" either side, 3" front and rear
- Minimum vertical space from floor to overhead cabinets, ceilings, etc. is 52".
- Closet doors must be louvered or otherwise ventilated and must contain a minimum of 60 sq. in. of open area equally distributed. If this closet contains both a washer and a dryer, doors must contain a minimum of 120 sq. in. of open area equally distributed.
- No other fuel-burning appliance shall be installed in the same closet with a gas dryer.

Bathroom or Bedroom Installation:

- The dryer MUST be exhausted to the outdoors.
- The installation must conform with the local codes, or in the absence of local codes, with the National Fuel Gas Code, ANSI Z223.

Minimum Clearance other than Alcove or Closet Installations:

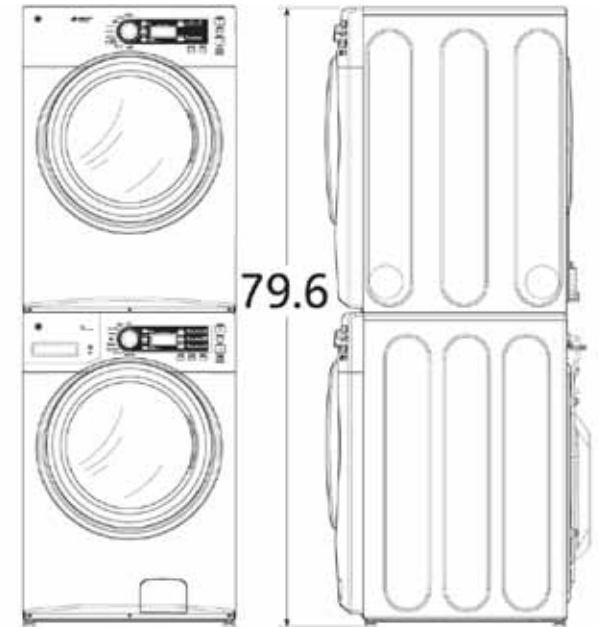
- Minimum clearances to combustible surfaces 0" both sides, 3" rear.

For more information on venting kits and accessories, please call 1-800-GE-CARES.

For answers to your Monogram®, GE Profile™ or GE® appliance questions, visit our website at geappliances.com or call GE Answer Center® service, 800.626.2000.



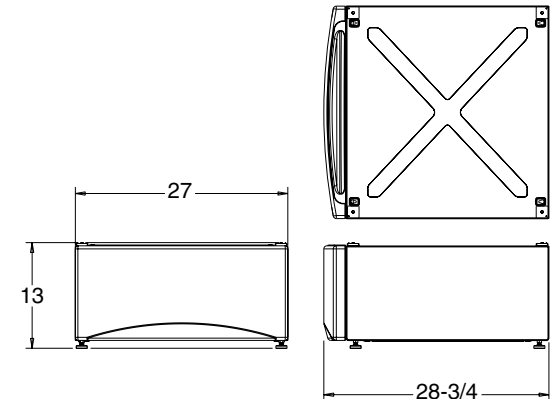
Stacked Dimensions (in inches)



Pedestal Dimensions (in inches)

SBSD137HWW - white

This optional 13" pedestal raises the door opening and height of the washer or dryer. Feet on 13" pedestal allow it to adjust to 13-3/8" height.



GFWH1400D

GE® ENERGY STAR® 4.1 DOE cu. ft. stainless steel capacity frontload washer

Features and Benefits

- Stain Wash Cycle - Tackles the toughest stains, from fresh grass marks to food spills
- HydroHeater™ internal water heater - Boosts water temperatures and helps achieve sanitization
- eWash option - Energy-saving option uses a cold water wash on select cycles without sacrificing performance
- Bulky Bedding cycle - Washes larger items, such as comforters, blankets and jackets
- ENERGY STAR® qualified and CEE Tier III rated - Meets or exceeds federal guidelines for energy efficiency for year-round energy and money savings
- Vibration Control - Adjusts spin patterns for each floor typed for a smoother wash without walking or shaking
- 1100 RPM spin speed - Fast speeds remove more water during the spin cycle to minimize drying time
- Speed Wash - Provides a quick wash for lightly soiled items that are needed in a hurry
- Load-sensing adaptive fill - Washer automatically fills with just the right amount of water for the load
- Model GFWH1400DWW - White on white

