

JK3500SF

GE® 27" Built-In Double Wall Oven

Dimensions and Installation Information (in inches)

Note: Cabinets installed adjacent to wall ovens must have an adhesion spec of at least a 194°F temperature rating.

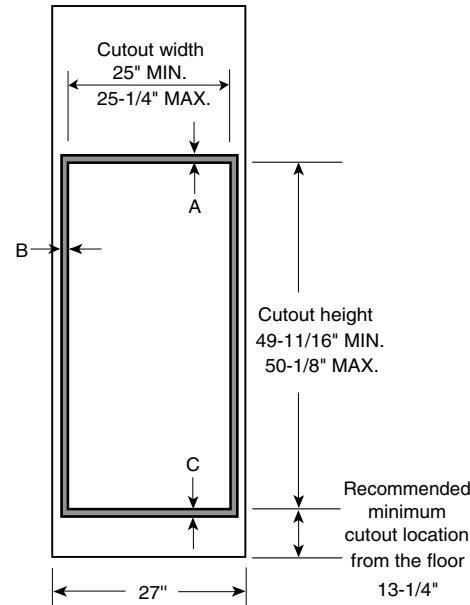
Note: If marks, blemishes or the cutout opening is visible above the installed oven, it may be necessary to add wood shims under the runners and front trim until the marks or openings are covered.

Note: Door handle protrudes 3" from door face. Cabinets and drawers on adjacent 45° and 90° walls should be placed to avoid interference with the handle.

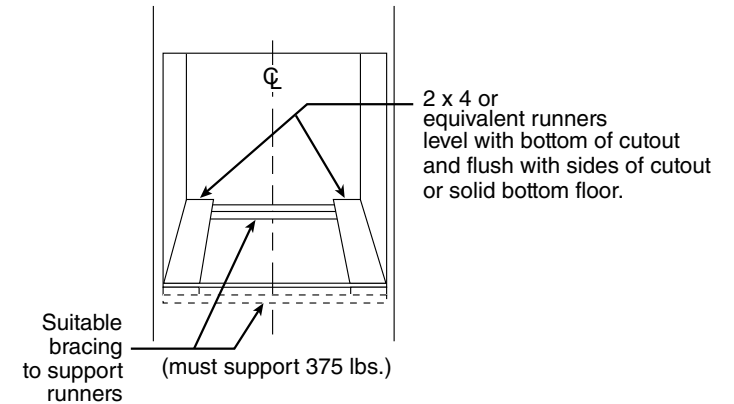
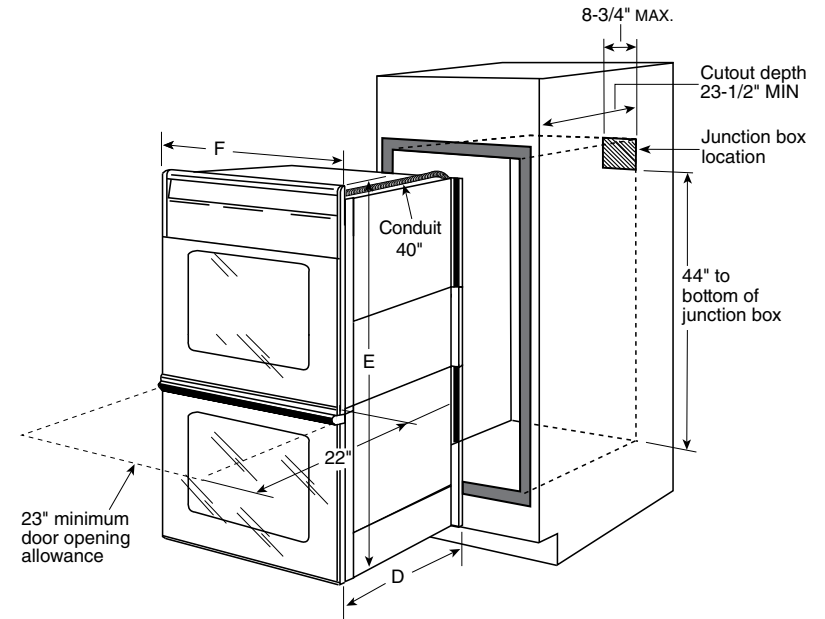
Electric wall ovens are not approved for installation with a plug and receptacle. They must be hard wired in accordance with installation instructions.

Installation Information: Before installing, consult instructions packed with product for current dimensional data.

KW Rating	
240V	7.2
208V	5.4
Breaker Size	
240V	30 Amps
208V	30 Amps



	JK3500
Cabinet	27"
A – Overlap of oven at top of cutout	1"
B – Overlap of oven over side of edges of cutout	1"
C – Overlap of oven at bottom of cutout	1"
Oven	
D – Overall depth with handle	26-23/32"
E – Overall height with trim	52-1/8"
F – Overall width	26-23/32"



imagination at work

For answers to your Monogram® or GE appliance questions, visit our website at geappliances.com or call GE Answer Center® service, 800.626.2000.



Listed by Underwriters Laboratories



Specification Created 2/13

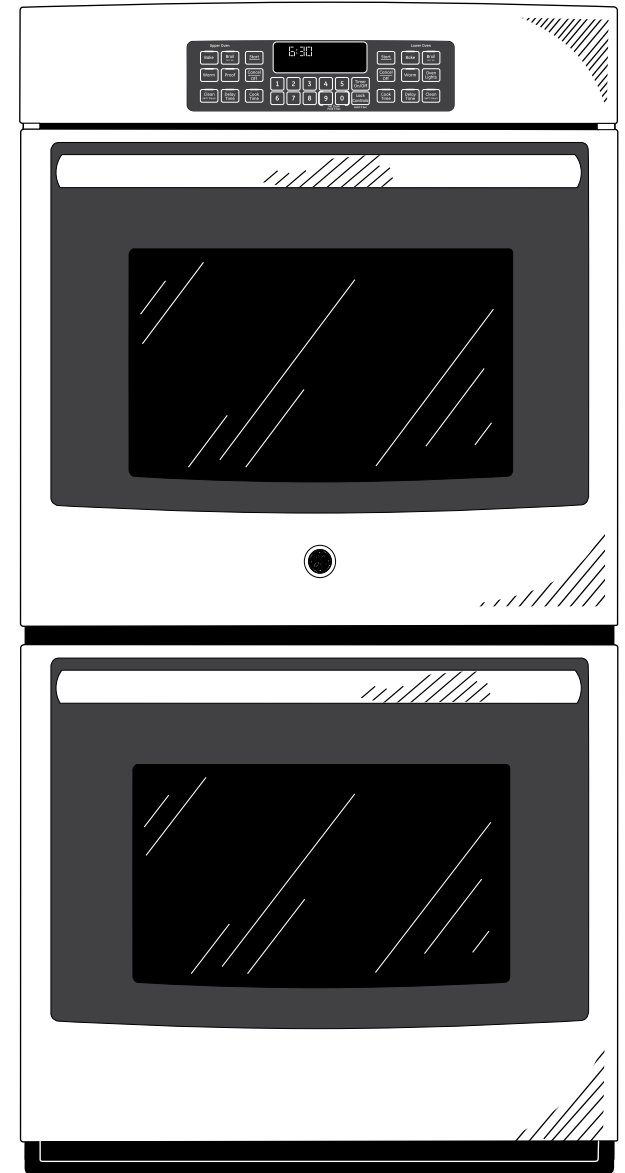
320380

JK3500SF

GE® 27" Built-In Double Wall Oven

Features and Benefits

- Self-Clean with Steam Clean Option (Both Ovens) - Clean your oven the way you want
- Self-Clean Heavy-Duty Oven Racks - Conveniently clean your oven and racks together
- Ten-Pass Bake Element - Even baking is assured with heat that covers more surface area
- Eight-Pass Broil Element - Get full broil coverage and even browning from edge to edge
- Double Oven 8.6 cu. ft. Total Oven Capacity (4.3 cu. ft. Both Ovens) - Large meals are easy with capacity that fits more at one time
- Black Gloss Oven Interior - Enjoy a clean and sleek appearance
- Electronic Touch Controls - Confidently operate the oven with one easy touch
- Hidden Bake - Make cleanup easy by eliminating hard-to-reach areas
- Audible Preheat Signal - Know when the oven is ready
- Certified Sabbath Mode - Prepare foods by kosher standards
- Model JK3500SFSS - Stainless steel



imagination at work



Listed by
Underwriters
Laboratories



Specification Created 2/13

320380