

PT9550SF

GE Profile™ Series 30 in. Built-In Double Convection Wall Oven

Dimensions and Installation Information (in inches)

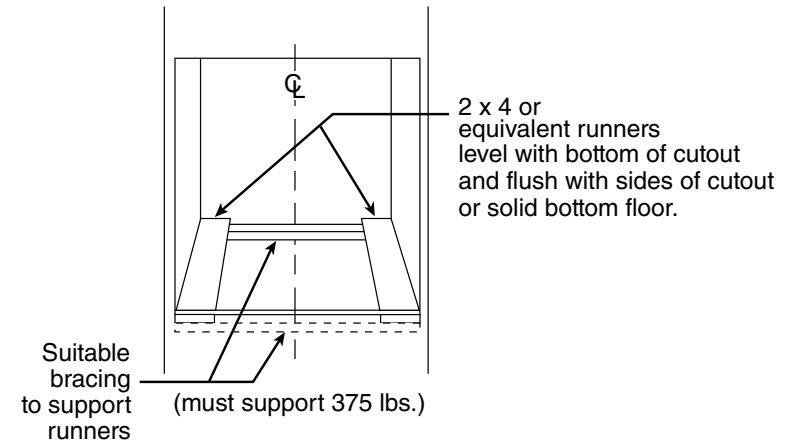
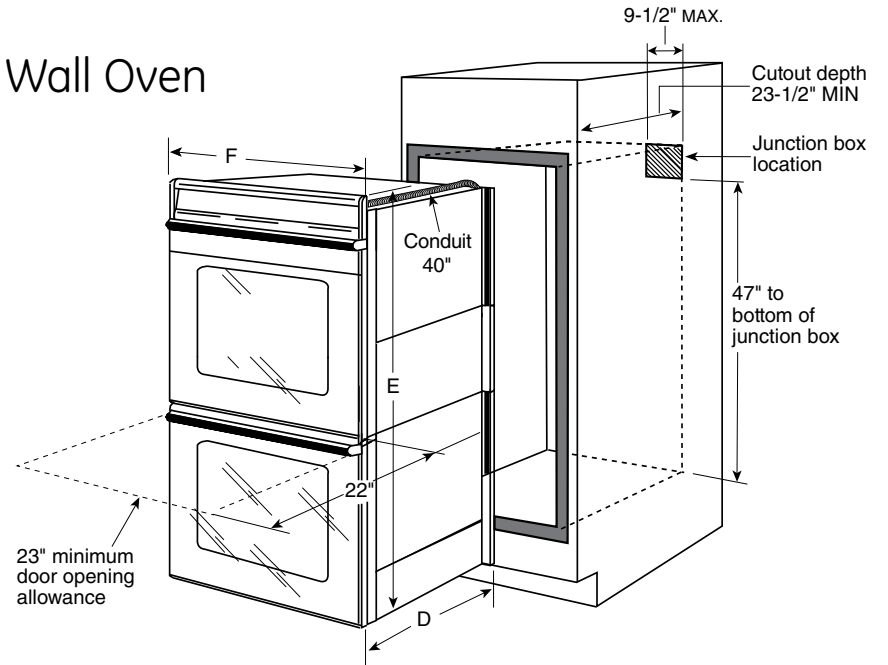
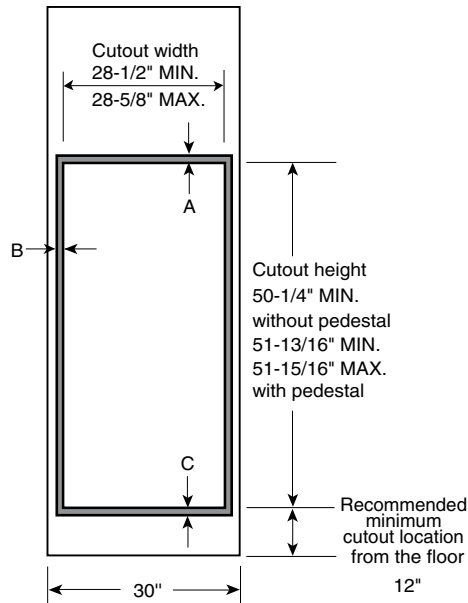
Note: Cabinets installed adjacent to wall ovens must have an adhesion spec of at least a 194°F temperature rating.

Door handle protrudes 3" from door face. Cabinets and drawers on adjacent 45° and 90° walls should be placed to avoid interference with the handle.

Electric wall ovens are not approved for installation with a plug and receptacle. They must be hard wired in accordance with installation instructions.

Installation Information: Before installing, consult installation instructions packed with product for current dimensional data.

| KW Rating | |
|--------------|---------|
| 240V | 9.0 |
| 208V | 6.8 |
| Breaker Size | |
| 240V | 40 Amps |
| 208V | 40 Amps |



| | PT9550 |
|--|------------|
| Cabinet | 30" |
| A – Overlap of oven at top of cutout | 1-1/4" |
| B – Overlap of oven over side of edges of cutout | 3/4" |
| C – Overlap of oven at bottom of cutout | 1-1/4" |
| Oven | |
| D – Overall depth with handle | 27-3/16" |
| E – Overall height with trim | 52-5/8" |
| F – Overall width | 29-3/4" |



For answers to your Monogram® or GE appliance questions, visit our website at geappliances.com or call GE Answer Center® service, 800.626.2000.

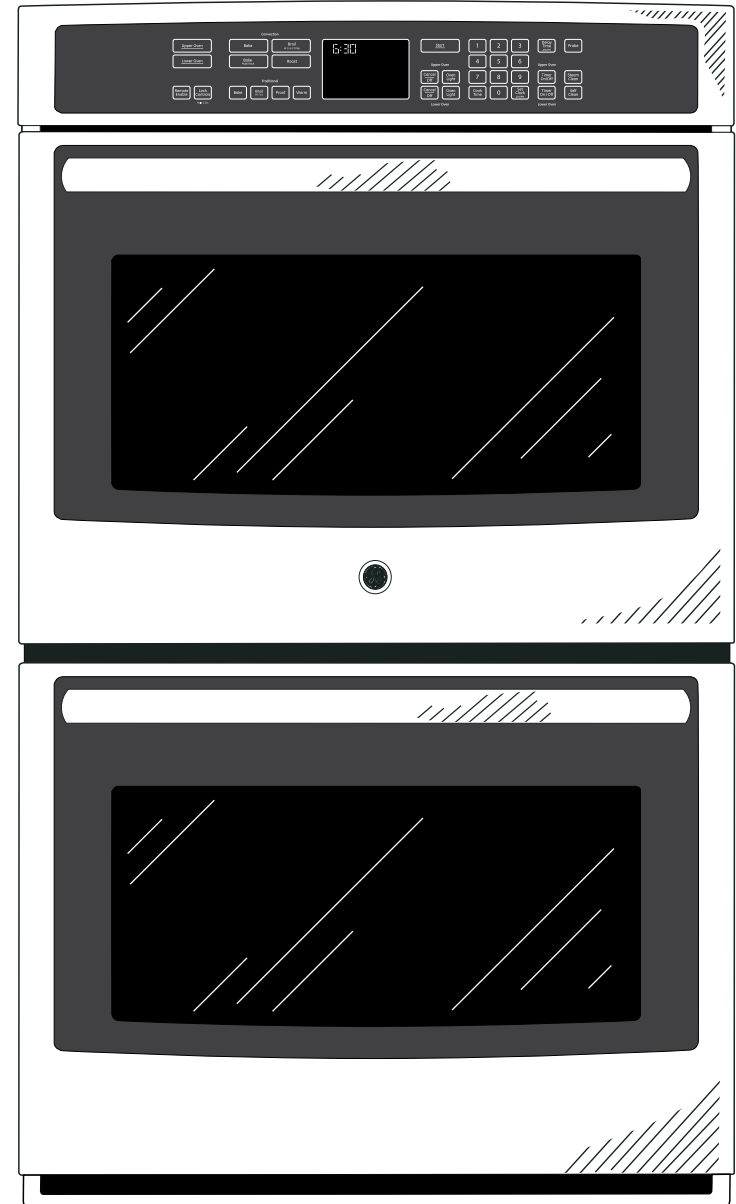


PT9550SF

GE Profile™ Series 30 in. Built-In Double Convection Wall Oven

Features and Benefits

- True European Convection with Direct Air (Both Ovens) - Bakes evenly as warm air blows from the top in and around bakeware
- Connected - Wirelessly control oven functions from your smartphone
- Notification Lighting - Know the status of your oven functions with a quick glance
- Ten-Pass Bake Element - Even baking is assured with heat that covers more surface area
- Ten-Pass Dual Broil Element - Large and small dishes brown evenly with two, full-coverage elements
- Self-Clean Heavy-Duty Roller Rack - Easily access items with a rack that glides smoothly
- Progressive Halogen Oven Lighting - See what you're baking with lights that slowly illuminate the oven
- Self-clean with Steam Clean Option (Both Ovens) - Clean your oven the way you want
- Glass Touch Controls - Set temperatures quickly and clean with little effort
- Double Oven 10.0 cu. ft. Total Oven Capacity (5.0 cu. ft. Both Ovens) - Large meals are easy with capacity that fits more at one time
- Model PT9550SFSS - Stainless steel



imagination at work