

PT7050DF

GE Profile™ Series 30 in. Built-In Single Convection Wall Oven

Dimensions and Installation Information (in inches)

Most 30" Wall Cabinets can be used with this unit.

Note: These ovens are not approved for stackable installations. Cabinets installed adjacent to wall ovens must have an adhesion spec of at least a 194°F temperature rating.

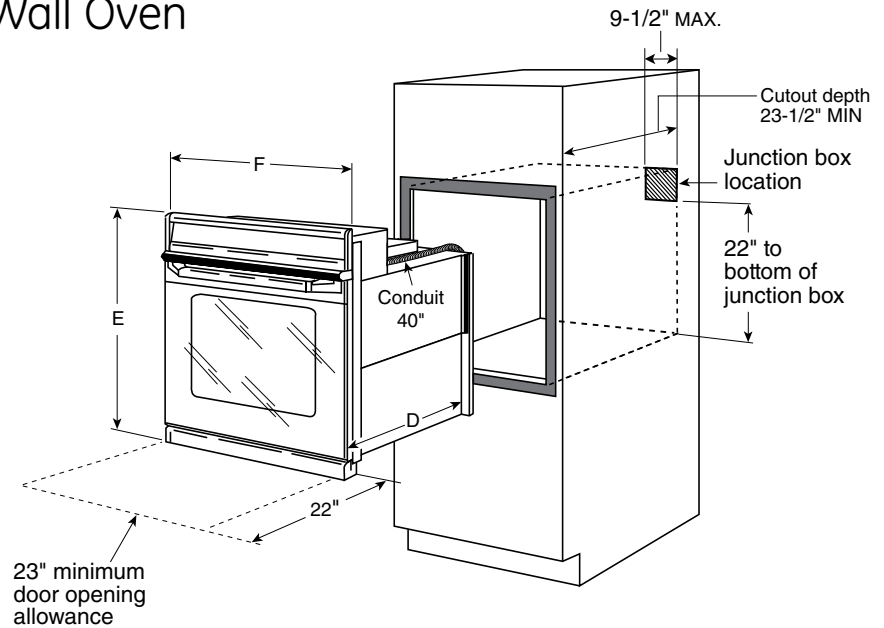
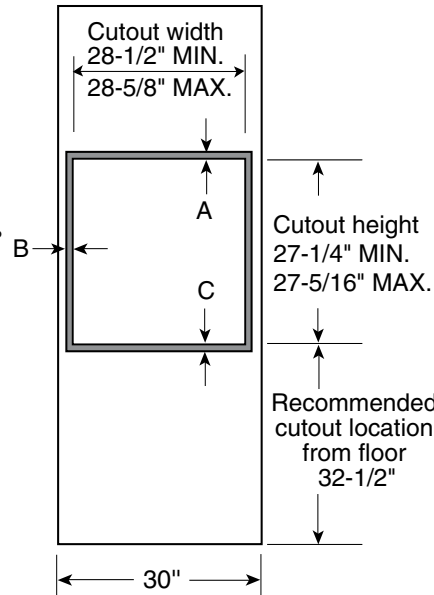
Door handle protrudes 3" from door face. Cabinets and drawers on adjacent 45° and 90° walls should be placed to avoid interference with the handle.

Electric wall ovens are not approved for installation with a plug and receptacle. They must be hard wired in accordance with installation instructions.

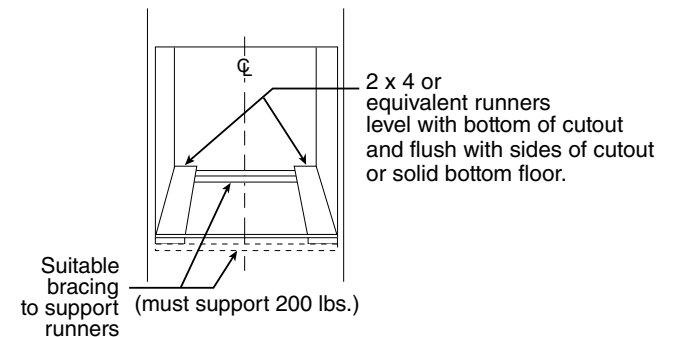
Installation Information: Before installing, consult installation instructions packed with product for current dimensional data.

Side-by-side installations require at least 2" between cutouts.

KW Rating	
240V	4.5
208V	3.4
Breaker Size	
240V	20 Amps
208V	20 Amps



	PT7050
Cabinet	30"
A – Overlap of oven at top of cutout	1"
B – Overlap of oven over side of edges of cutout	3/4"
C – Overlap of oven at bottom of cutout	1-1/4"
Oven	
D – Overall depth with handle	27-3/16"
Overall depth with handle without handle	23-1/2"
E – Overall height with trim	28-3/8"
F – Overall width	29-3/4"



For answers to your Monogram® or GE appliance questions, visit our website at geappliances.com or call GE Answer Center® service, 800.626.2000.



*ADA qualified based on Uniform Federal Accessibility Standards



Listed by Underwriters Laboratories



PT7050DF

GE Profile™ Series 30 in. Built-In Single Convection Wall Oven

Optional Undercounter Dimensions and Installation Information

Dimension and installation information are shown in inches.

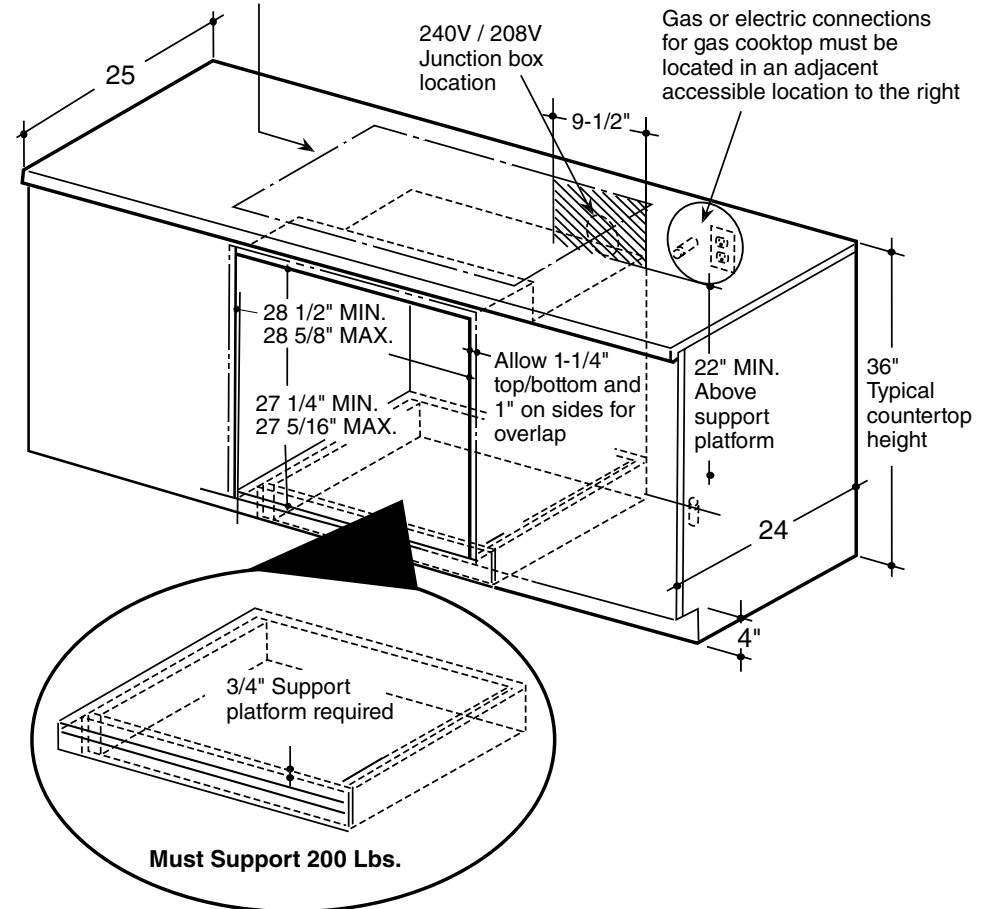
Note: 36" ribbon cooktop are approved for use over GE 30" single wall ovens and warming drawers. 30" ribbon cooktops are approved for use over 30" and GE 27" single wall ovens and warming drawers. Refer to cooktop and wall oven installation information packed with products for current dimensional data.

Note: Door handle protrudes 3" from door face. Cabinets and drawers on adjacent 45° and 90° walls should be placed to avoid interference with the handle.

Installation information: Before installing, consult installation instructions packed with products for current dimensional data and for alternate installation options.

Electric wall ovens are not approved for installation with a plug and receptacle. They must be hard wired in accordance with installation instructions.

Gas or electric cooktops may be installed over this oven. See cooktop installation instructions for cutout size. See label on top of oven for approved cooktop models.



For answers to your Monogram® or GE appliance questions, visit our website at geappliances.com or call GE Answer Center® service, 800.626.2000.



*ADA qualified based on Uniform Federal Accessibility Standards



Listed by Underwriters Laboratories



Specification Revised 4/13

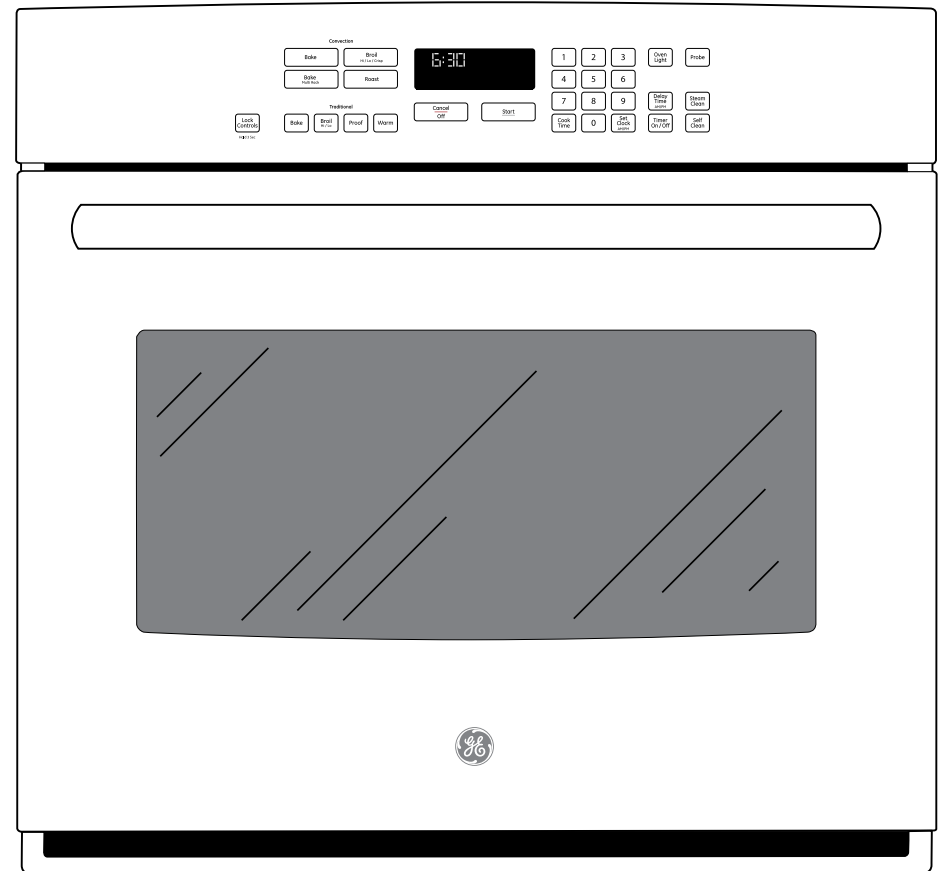
220251

PT7050DF

GE Profile™ Series 30 in. Built-In Single Convection Wall Oven

Features and Benefits

- True European Convection with Direct Air - Bakes evenly as warm air blows from the top in and around bakeware
- Ten-Pass Bake Element - Even baking is assured with heat that covers more surface area
- Ten-Pass Dual Broil Element - Large and small dishes brown evenly with two, full-coverage elements
- Self-Clean Heavy-Duty Roller Rack - Easily access items with a rack that glides smoothly
- Progressive Halogen Oven Lighting - See what you're baking with lights that slowly illuminate the oven
- Self-Clean with Steam Clean Option - Clean your oven the way you want
- Glass Touch Controls - Set temperatures quickly and clean with little effort
- 5.0 cu. ft. Oven Capacity - Cook more dishes at once
- Black Gloss Oven Interior - Enjoy a clean and sleek appearance
- Hidden Bake - Make cleanup easy by eliminating hard-to-reach areas
- Model PT7050DFBB - Black on black
- Model PT7050DFWW - White on white



imagination at work