

P2S920SEF

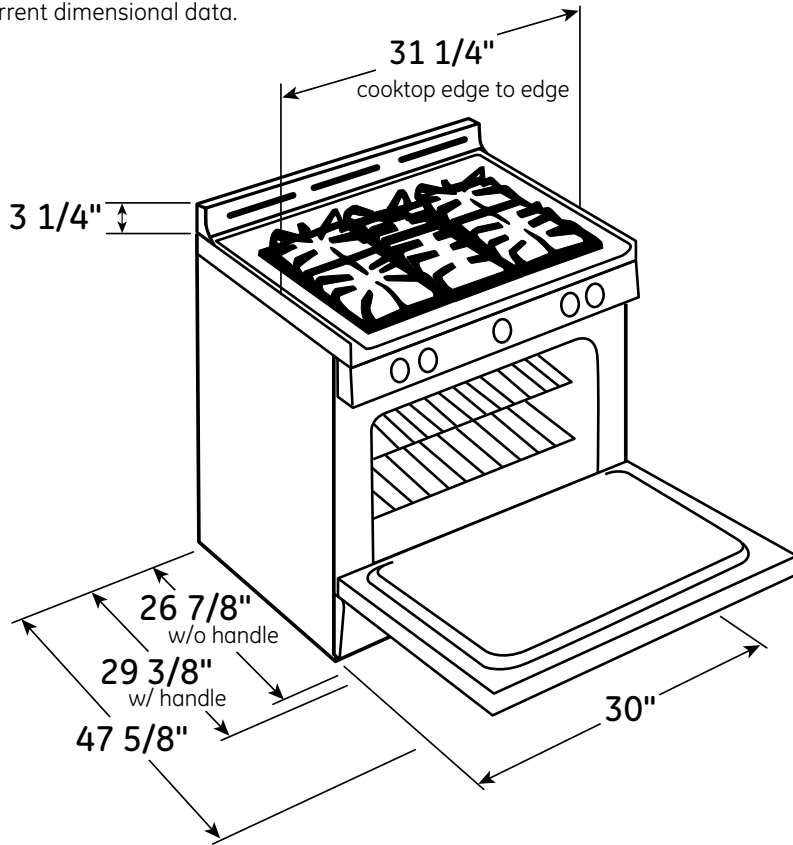
GE Profile™ Series 30" Dual Fuel Slide-In Range with Warming Drawer

Dimensions and Installation Information (in inches)

Note: Door handle protrudes 3" from door face. Cabinets and drawers on adjacent 45° and 90° walls should be placed to avoid interference with the handle.

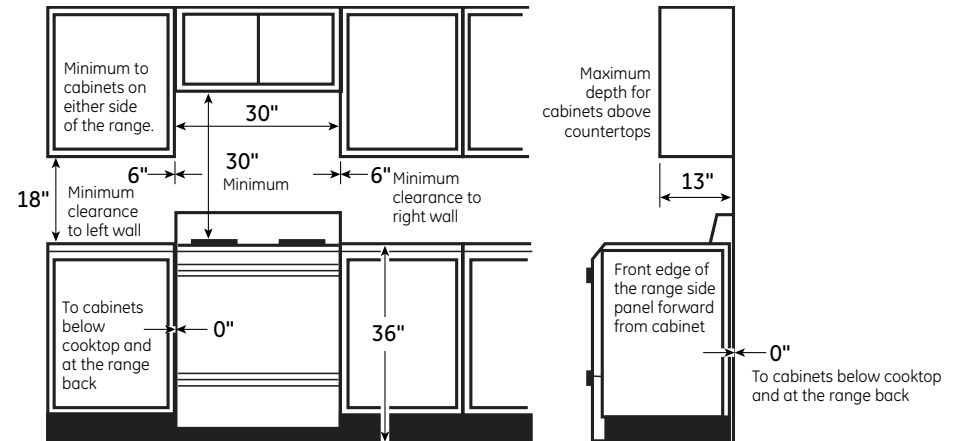
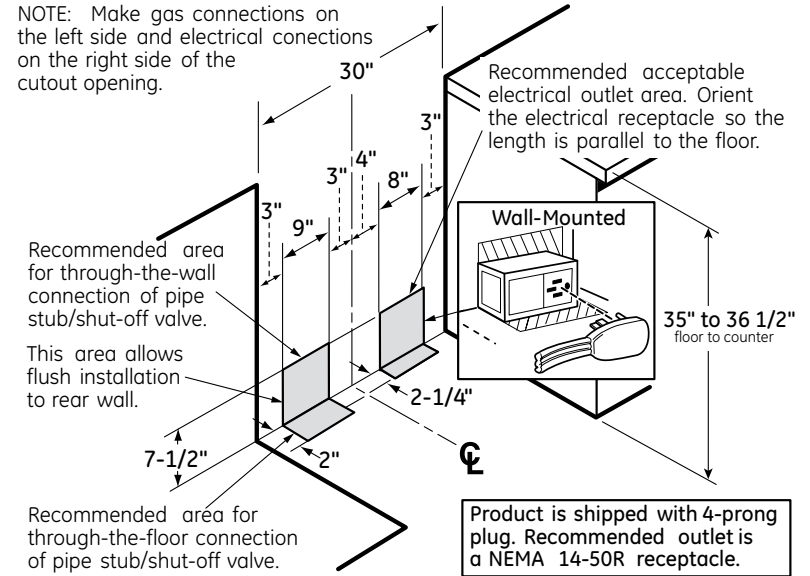
Note: Cabinets installed adjacent to slide-in ranges must have an adhesion spec of at least 194° temperature rating.

Installation Information: Before installing, consult installation instructions packed with product for current dimensional data.



GAS PIPE AND ELECTRICAL OUTLET LOCATIONS

NOTE: Make gas connections on the left side and electrical connections on the right side of the cutout opening.



For answers to your Monogram® or GE® appliance questions, visit our website at geappliances.com or call GE Answer Center® service, 800.626.2000.



*ADA qualified based on Uniform Federal Accessibility Standards



All GE ranges are equipped with an Anti-Tip device. The installation of this device is an important, required step in the installation of the range.



Listed by Underwriters Laboratories

P2S920SEF

GE Profile™ Series 30" Dual Fuel Slide-In Range with Warming Drawer

Features and Benefits

- Dual-Fuel Range - Utilizes both gas and electric elements
- 20,000 BTU Tri-Ring Burner - Offers the flexibility of three different burners
- Center Oval Burner - Large oval fifth burner is ideal for griddle or odd-size cookware
- Reversible Cast-Iron Griddle/Grill - Two great ways to cook
- True European Convection with Precise Air - Accurate heat circulation ensures evenly baked foods
- Stainless Steel, Deep-Recessed Cooktop - Contains spills for quick and easy cleaning
- Heavy-Duty Self-Clean Roller Rack - Easily access items with racks that glide smoothly
- Warming Drawer - Variable temperature control keeps foods warm
- Hidden Bake - Make cleanup easy by eliminating hard-to-reach areas
- Model P2S920SEFSS - Stainless steel



imagination at work