

PGS950SEF

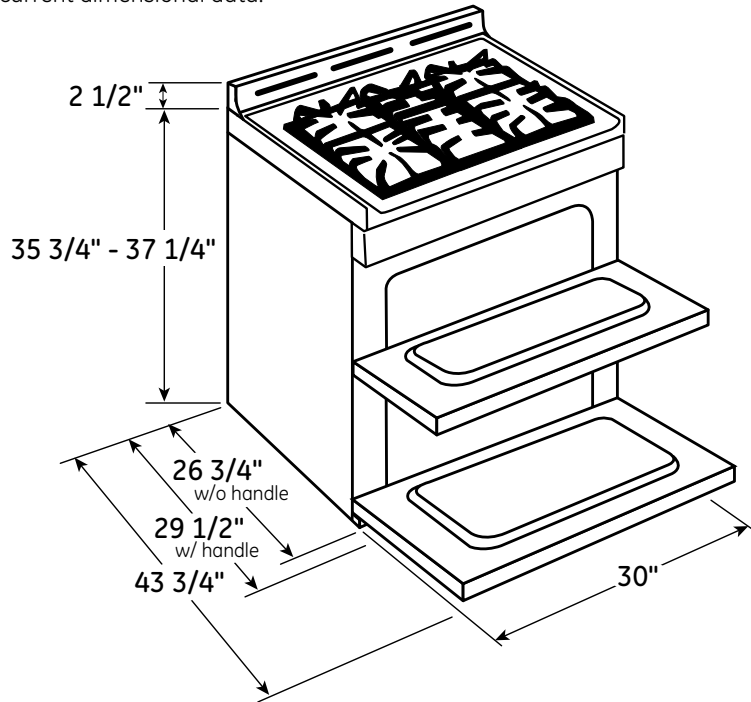
GE Profile™ Series 30" Slide-In Double Oven Gas Range

Dimensions and Installation Information (in inches)

Note: Door handle protrudes 3" from door face. Cabinets and drawers on adjacent 45° and 90° walls should be placed to avoid interference with the handle.

Note: Cabinets installed adjacent to slide-in ranges must have an adhesion spec of at least 194° temperature rating.

Installation Information: Before installing, consult installation instructions packed with product for current dimensional data.

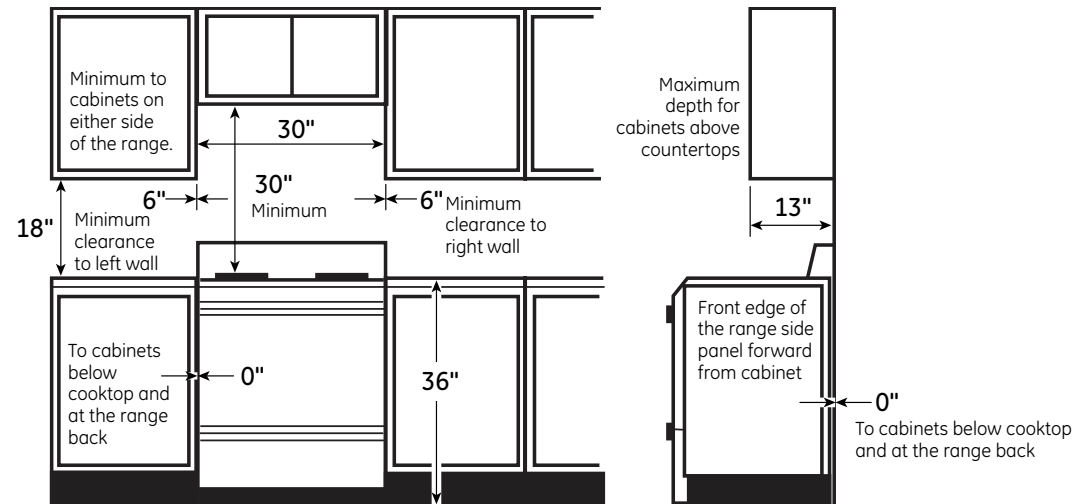
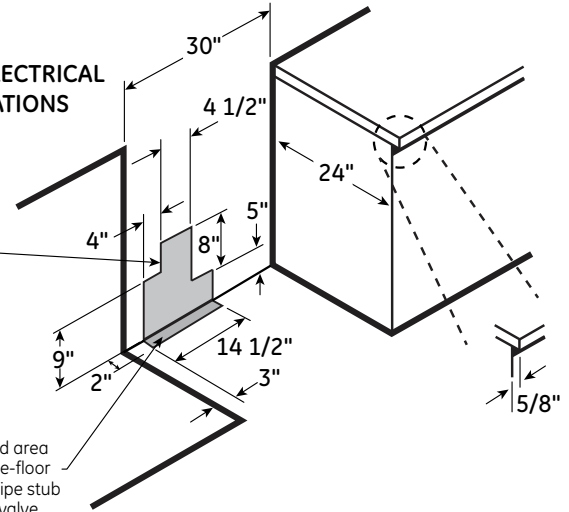


SLIDE IN GAS RANGE

GAS PIPE AND ELECTRICAL OUTLET LOCATIONS

Recommended area for 120V outlet on rear wall and area for through-the-wall connection of pipe stub and shut-off valve.

Recommended area for through-the-floor connection of pipe stub and shut-off valve.



For answers to your Monogram® or GE® appliance questions, visit our website at geappliances.com or call GE Answer Center® service, 800.626.2000.



*ADA qualified based on Uniform Federal Accessibility Standards



All GE ranges are equipped with an Anti-Tip device. The installation of this device is an important, required step in the installation of the range.

PGS950SEF

GE Profile™ Series 30" Slide-In Double Oven Gas Range

Features and Benefits

- Double Oven 6.8 cu. ft. Total Capacity - Large capacity is ideal for big meals
- 20,000 BTU Tri-Ring Burner - Offers the flexibility of three different burners
- Center Oval Burner - Large oval fifth burner is ideal for griddle or odd-size cookware
- Reversible Cast-Iron Griddle/Grill - Two great ways to cook
- Precise Simmer Burner - Delicate foods don't burn with low, even heat
- Stainless Steel, Deep-Recessed Cooktop - Contains spills for quick and easy cleaning
- Gas Convection Oven - Circulates heat for high-quality results
- Self-Clean Roller Rack - Easily access items with racks that glide smoothly
- Dual Broil - Meats and veggies broil evenly
- Black Gloss Oven Interior - Enjoy a clean and sleek appearance
- Model PGS950SEFSS - Stainless steel



imagination at work