

PEB7226SF

GE Profile™ Series 2.2 Cu. Ft. Countertop Microwave Oven

Dimensions and Installation Information (in inches)

Exterior Dimensions (in inches)	
W x H x D	24 x 13-3/4 x 19-3/8

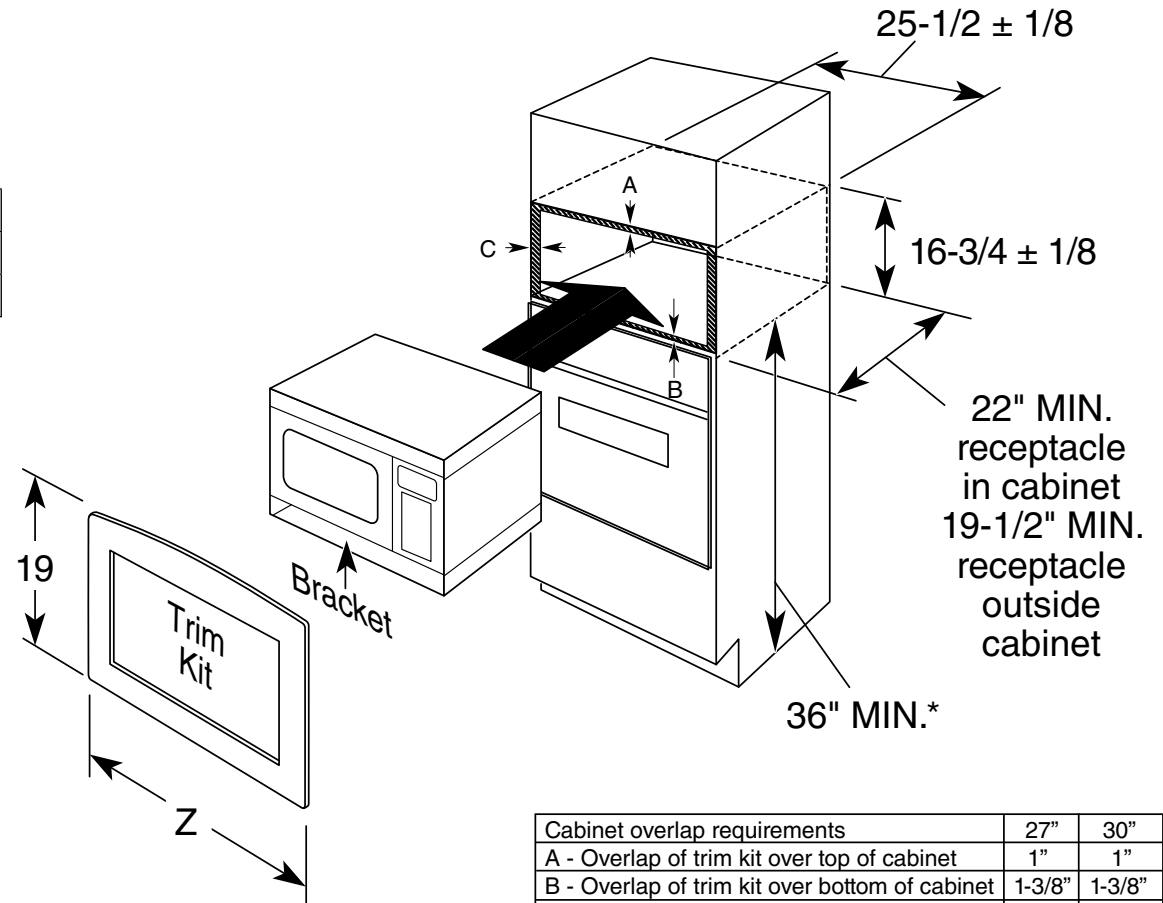
Accessory trim kits	"Z"	Trim Kits	Max Height
30" Deluxe	29-3/4"	JX7230SFSS	19-1/16"
27" Deluxe	26-15/16"	JX7227SFSS	19-1/16"

Optional Accessory Trim Kits for 2.0 GE Microwave Ovens (Available at additional cost)

For a custom built-in appearance, these kits allow built-in installation of the countertop microwave oven into a wall or cabinet alone and are U.L. approved for installation over a GE single electric wall oven. These kits should not be installed over a gas wall oven.

Note: 120V, 60-cycle, grounded power receptacle location optional on back within cabinet opening.

Installation Information: This information is not intended to be used for installing unit described. Before installing, consult installation instructions packed with product/kit for current dimensional data.



*For ADA compliance, the microwave must be installed no higher than 36-1/4".

Cabinet overlap requirements	27"	30"
A - Overlap of trim kit over top of cabinet	1"	1"
B - Overlap of trim kit over bottom of cabinet	1-3/8"	1-3/8"
C - Overlap of trim kit over sides of cabinet	5/8"	2-1/8"

Note:
Allow an additional inch of clearance beyond trim frame on all sides



For answers to your Monogram,® GE Profile™ or GE® appliance questions, visit our website at geappliances.com or call GE Answer Center® service, 800.626.2000.

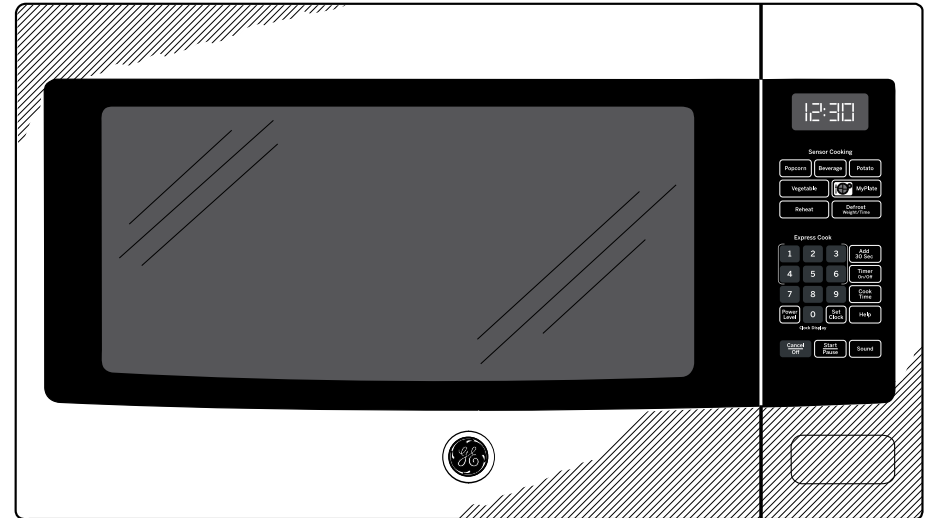


PEB7226SF

GE Profile™ Series 2.2 Cu. Ft. Countertop Microwave Oven

Features and Benefits

- 2.2 cu. ft. capacity - 1200 watts (IEC-705 test procedure)
- Sensor cooking controls - Automatically adjusts time and power
- Optional built-in trim kit - Custom appearance and built-in convenience
- Auto and time defrost - Defrosting times and power levels are programmed automatically or manually for optimal results
- Extra-large 16" turntable - Rotates food throughout the cycle and accommodates large cookware
- Instant on controls - One-touch instant operation
- Control lockout - Helps prevent accidental activation
- Add 30 seconds - Add 30 seconds of microwave cooking time
- Kitchen timer - Minute timer helps keep you on track
- Model PEB7226SFSS – Stainless steel



imagination at work



Listed by
Underwriters
Laboratories