

# JS250DF

## GE® 30" Slide-In Electric Range

### Dimensions and Installation Information (in inches)

**Receptacle Locations:** Locally approved flexible service cord or conduit must be used because terminals are not accessible after range installation. See shaded area in drawing for location of electrical outlet box. Recommended outlet locations allow range to be installed directly against rear wall.

**Note:** This appliance has been approved for 0" spacing to adjacent surfaces above the cooktop. However, a 6" minimum spacing to surfaces less than 15" above the cooktop and adjacent cabinet is recommended to reduce exposure to steam, grease splatter and heat.

**Installation Information:** Before installing, consult installation instructions for current dimensional data and additional requirements

#### Optional Kits For Slide-In Electric Ranges

(Available At Additional Cost)

**Accessory Backguards**  
(Attaches to the back of range as a backguard when unit is installed in 30" free-standing cutout)

JXS32SS (Stainless) - 4" High  
JXS32BB (Black) - 4" High

**Body Sides**  
(Slide-in ranges are sold without sides installed. Can be installed on either left or right when unit has one exposed side [no cabinet adjacent]. Kit contains 1 body side)

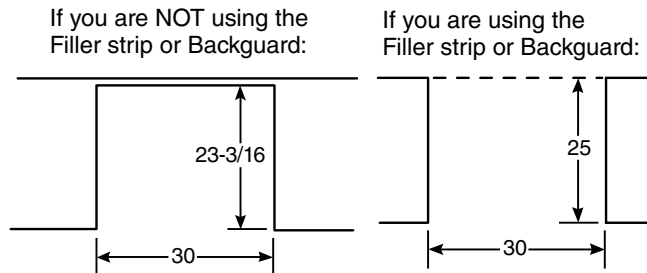
JXS77BB (Black)  
JXS77WW (White)

**Rear Filler Strip**  
WB07T10680 - Black Filler Strip Assembly

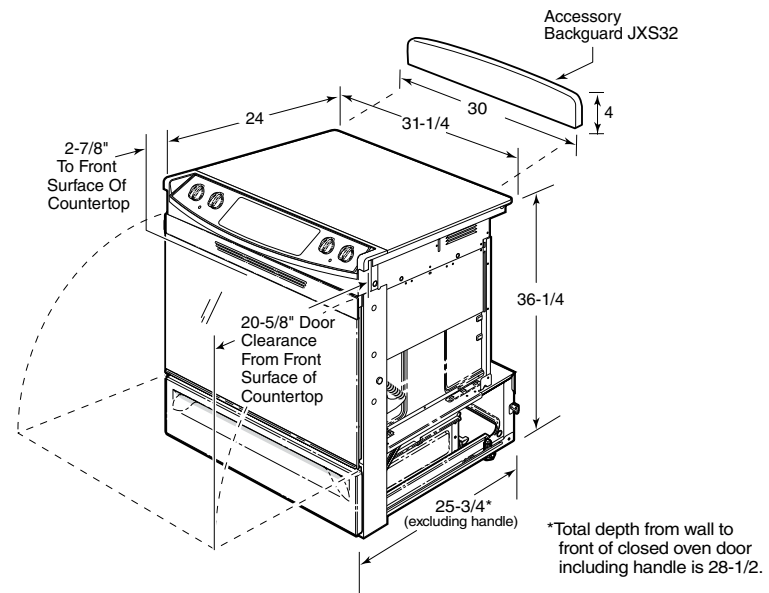
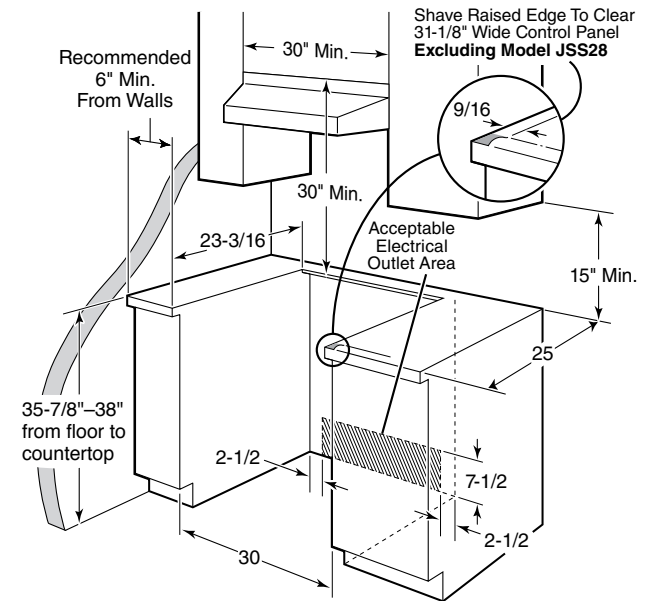
**Optional Lower Trim Kits**  
(If counter height is greater than 36.5", a lower trim kit is recommended to extend the useful height to 38" maximum)

JXS56BB - Black

KW Rating	
240V	11.9
208V	8.9
Breaker Size	
240V	40 Amps†
208V	40 Amps†



†Note: Check local codes for required breaker size.



ADA qualified based on Uniform Federal Accessibility Standards



All GE ranges are equipped with an Anti-Tip device. The installation of this device is an important, required step in the installation of the range.



Listed by Underwriters Laboratories



For answers to your Monogram® or GE® appliance questions, visit our website at [geappliances.com](http://geappliances.com) or call GE Answer Center® service, 800.626.2000.

Specification Revised 7/14

# JS250DF

## GE® 30" Slide-In Electric Range

### Features and Benefits

- Self-Clean Oven - Cleans the oven cavity without the need for scrubbing
- Coil Heating Elements - Provide even heat and easy cleanup
- 4.4 cu. ft. Oven Capacity - Enough room to cook an entire meal at once
- Removable Full-Width Storage Drawer - Store cookware or kitchen accessories
- Dual Element Bake - Upper and lower elements produce even heat and great results
- Electronic Oven Controls - Electronic touch pads are easy to operate
- Chrome Drip Bowls - Contain spills and remove for easy cleaning
- Model JS250DFWW - White on white
- Model JS250DFCC - Bisque on bisque
- Model JS250DFBB - Black on black



imagination at work

Specification Revised 7/14