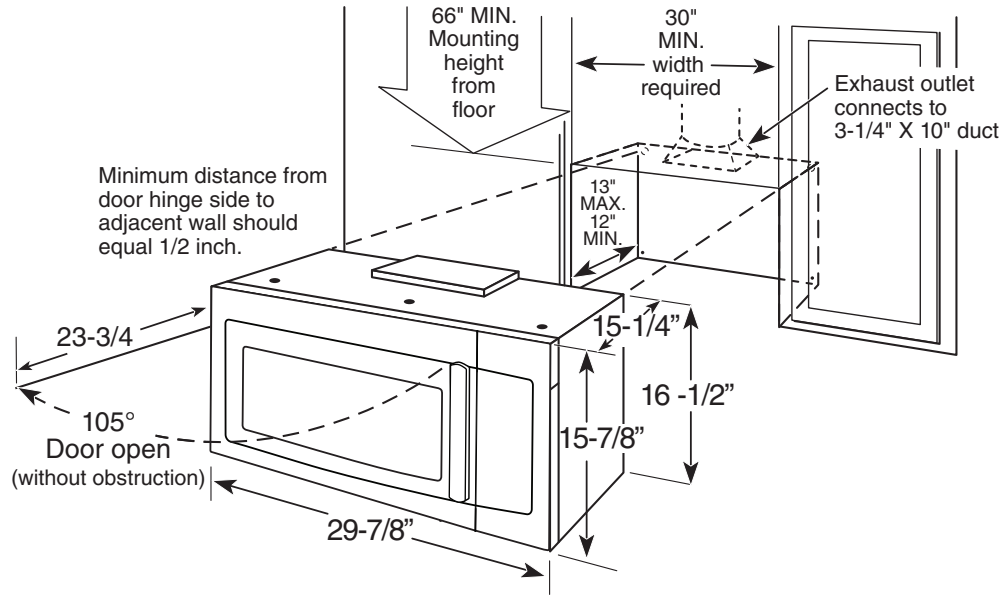


# RVM5160DHW/CC/BB

Hotpoint® 1.6 Cu. Ft. Over-the-Range Microwave Oven

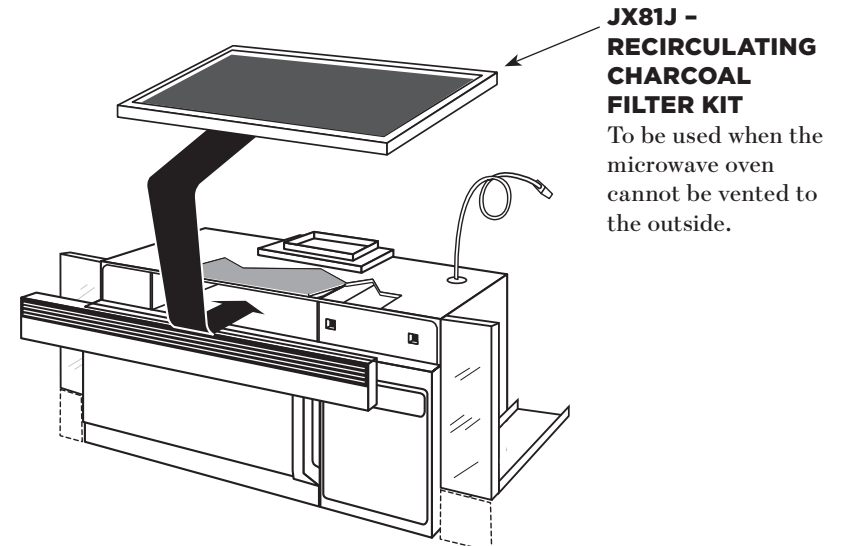
## DIMENSIONS (IN INCHES)



**IMPORTANT INFORMATION:** When installing the microwave oven over a range, allow minimum of 2" from bottom of microwave oven to top of range backguard to allow for removal of light covers.

**INSTALLATION INFORMATION:** This information is not intended to be used for installing unit described. Before installing, consult installation instructions packed with product/kit for current dimensional data.

## OPTIONAL ACCESSORIES (AVAILABLE AT ADDITIONAL COST)



**VENTILATION OPTIONS:** The microwave oven is designed for adaptation for the following three types of ventilation:

**OUTSIDE EXHAUST** (Vertical – Delivered from factory in vertical position)

**OUTSIDE EXHAUST** (Horizontal)

**Recirculating** (Non-vented ductless)

For answers to your Monogram, GE Café™ Series, GE Profile™ Series or GE Appliances product questions, visit our website at [geappliances.com](http://geappliances.com) or call GE Answer Center® Service, 800.626.2000.



Listed by  
Underwriters  
Laboratories

Specification Revised 2/20

# RVM5160DHW/CC/BB

*Hotpoint® 1.6 Cu. Ft. Over-the-Range Microwave Oven*

## FEATURES AND BENEFITS

1.6 cu. ft. capacity – 1000 Watts (IEC-705 test procedure)

Convenience cooking controls – Operating made quick and easy

Auto and time defrost – Defrosting times and power levels are programmed automatically or manually for optimal results

Turntable – Rotates food throughout the cycle

Two-speed, 200-CFM venting system – Quickly removes smoke and steam from cooktop

Add 30 seconds – Add 30 seconds of microwave cooking time

Model RVM5160DHBB – Black

Model RVM5160DHCC – Bisque

Model RVM5160DHW – White

