

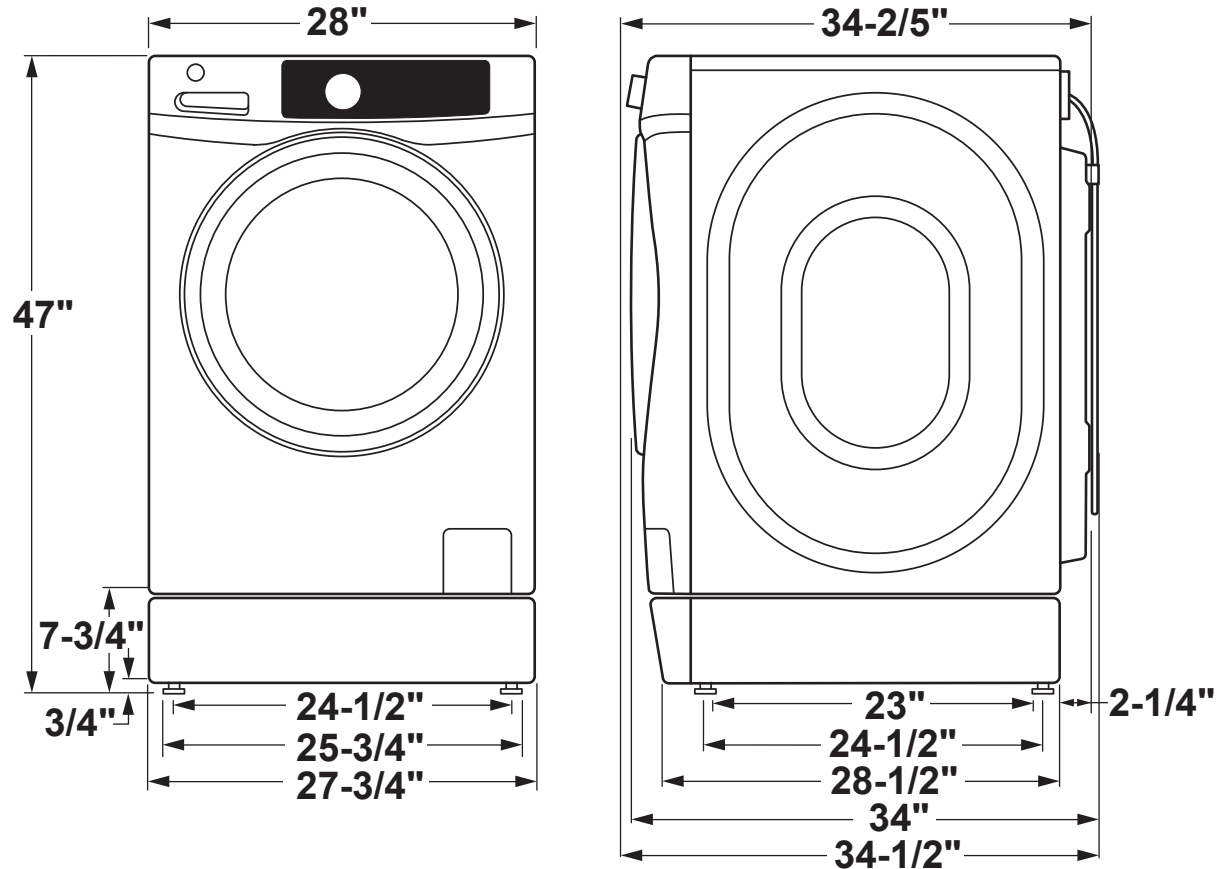
GFWR2700H/2705H

GE Appliances ENERGY STAR® 4.5 DOE Cu. Ft. Capacity RightHeight™ Design Front Load Washer

DIMENSIONS AND INSTALLATION INFORMATION (IN INCHES)

ELECTRIC RATING	
120V	60Hz

INSTALLATION INFORMATION: For complete information, see installation instructions packed with your washer.



For answers to your Monogram, GE Café™ Series, GE Profile™ Series or GE Appliances product questions, visit our website at geappliances.com or call GE Answer Center® Service, 800.626.2000.



Specification Revised 2/16

GFWR2700H/2705H

GE Appliances ENERGY STAR® 4.5 DOE Cu. Ft. Capacity RightHeight™ Design Front Load Washer

SPECIAL INSTALLATION REQUIREMENTS:

INSTALLATION:

-7" riser is included and the laundry pair can't be stacked

ALCOVE OR CLOSET INSTALLATION:

-If your dryer is approved for installation in an alcove or closet, it will be stated on a label on the dryer back.

-The dryer MUST be exhausted to the outside.

-Minimum clearances between dryer cabinet and adjacent walls or other surfaces are: 0" either side, 3" front and rear

-Minimum vertical space from floor to overhead cabinets, ceilings, etc. is 52".

-Closet doors must be louvered or otherwise ventilated and must contain a minimum of 60 sq. in. of open area equally distributed. If this closet contains both a washer and a dryer, doors must contain a minimum of 120 sq. in. of open area equally distributed.

-No other fuel-burning appliance shall be installed in the same closet with a gas dryer.

BATHROOM OR BEDROOM INSTALLATION:

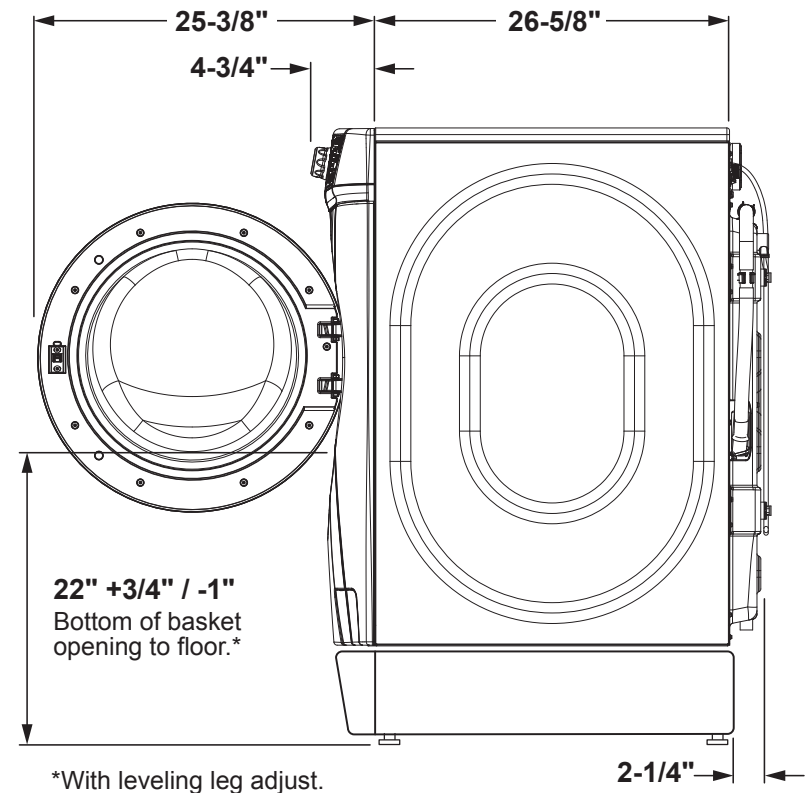
-The dryer MUST be exhausted to the outdoors.

-The installation must conform with the local codes, or in the absence of local codes, with the National Electric Code and National Fuel Gas Code, ANSI Z223.

Minimum Clearance other than Alcove or Closet Installations:

-Minimum clearances to combustible surfaces 0" both sides, 3" rear.

For more information on venting kits and accessories, please call 1-800-GE-CARES.



For answers to your Monogram, GE Café™ Series, GE Profile™ Series or GE Appliances product questions, visit our website at geappliances.com or call GE Answer Center® Service, 800.626.2000.



Specification Revised 2/16

GFWR2700H/2705H

GE Appliances ENERGY STAR® 4.5 DOE Cu. Ft. Capacity RightHeight™ Design Front Load Washer

FEATURES AND BENEFITS

RightHeight™ Built-in Pedestal – Comfortably load and unload clothes, and use the top as a folding surface, with this factory-installed pedestal

Stain Removal Guide – Clean 5 of the most common stains with preprogrammed settings that modify any cycle to help remove blood, tomato, wine, dirt and grass

Steam Assist – Penetrates deep into fabric fibers, loosening stains like tomato and grass, yet protects your fabric

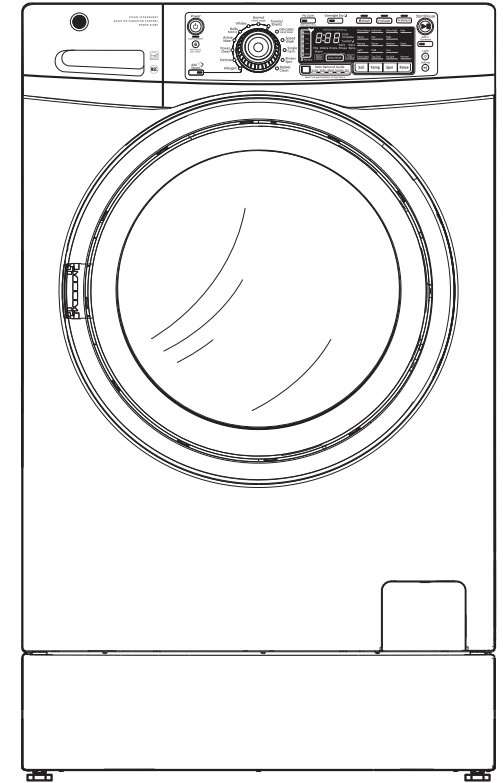
Adaptive Vibration Control – Enjoy more peace and quiet thanks to heavy-duty springs, vibration dampeners and a balance ring infused with counterweight bearings designed to offset out-of-balance loads

Precision dispense – Great cleaning performance is enhanced with a dispenser that distributes fresh detergent multiple times throughout the wash

Power Clean – Effectively clean heavily soiled fabrics with this cycle that uses a built-in soak time, extended wash times and more vigorous wash action

Model GFWR2700HWW – White

Model GFWR2705HMC – Metallic Carbon



MODIFIED ENERGY FACTOR (IMEF)	2.8
WATER FACTOR (IWF)	3.0

