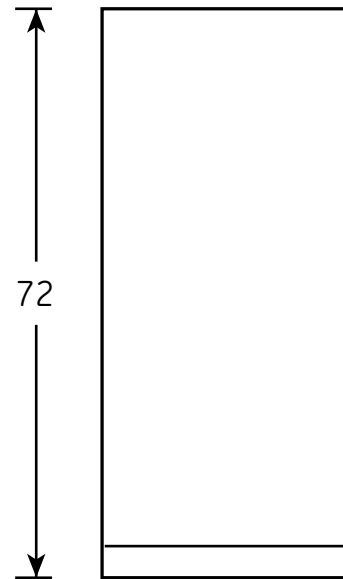


FUM21DHR

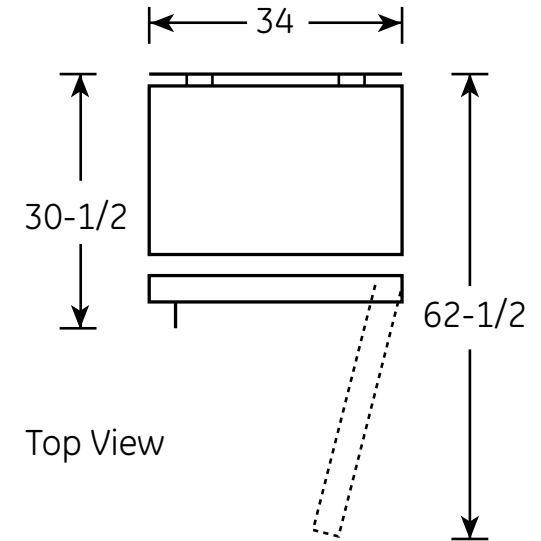
GE® 20.9 Cu. Ft. Manual Defrost Upright Freezer

Dimensions and Installation Information (in inches)

Air Clearance	
Each side (in.)	3
Top (in.)	3
Back (in.)	3



Front View



For answers to your Monogram®, Cafe™ Series, Profile™ Series or GE® appliance questions, visit our website atgeappliances.com or call GE Answer Center® service, 800.626.2000.



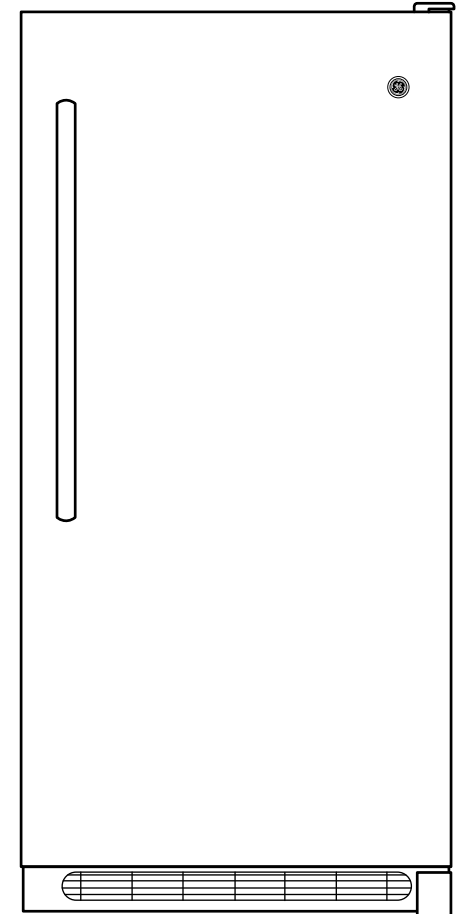
Specification Revised 9/14

FUM21DHR

GE® 20.9 Cu. Ft. Manual Defrost Upright Freezer

Features and Benefits

- 20.9 cu. ft. capacity
- Manual defrost - Manually defrost the freezer on your schedule
- Interior lighting - Makes it easy to see what is inside
- 4 cabinet shelves (1 adjustable) and 1 sliding bulk storage basket - Offers flexibility to organize and store favorite foods for quick, easy access
- 5 adjustable door bins (1/2 width) - For flexible storage and quick access, easy access
- Soft Freeze zone - A convenient storage bin that is slightly warmer than the freezer interior for soft freeze items such as ice cream
- Power "On" light - Easily see if the freezer is working without having to open the door
- Lock with key - Allows you to protect your valuable food items from unintentional entry
- Adjustable temperature control - Easy to use controls to select the temperature for your needs
- High-gloss handle - Provides a polished appearance that can be cleaned with ease
- Model FUM21DHRWW – White



For answers to your Monogram,® Cafe™ Series, Profile™ Series or GE® appliance questions, visit our website at geappliances.com or call GE Answer Center® service, 800.626.2000.



imagination at work



Specification Revised 9/14