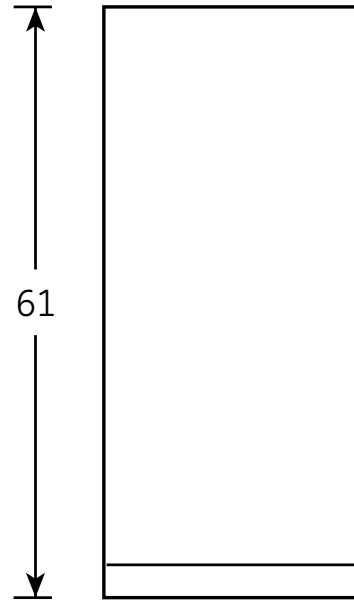


FUF14DHR

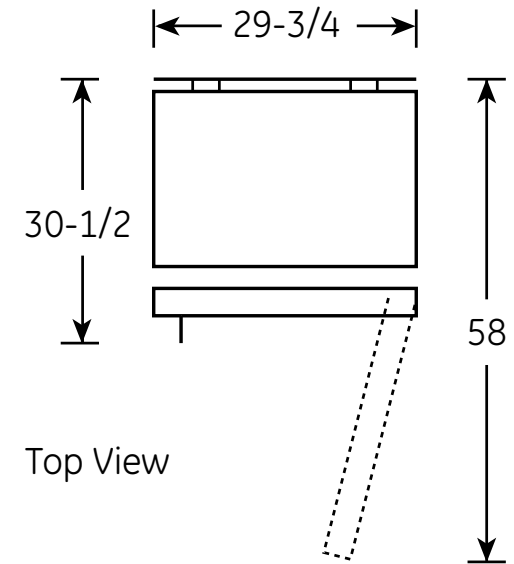
GE® 13.8 Cu. Ft. Frost-Free Upright Freezer

Dimensions and Installation Information (in inches)

Air Clearance	
Each side (in.)	3
Top (in.)	3
Back (in.)	3



Front View



Top View

For answers to your Monogram,® Cafe™ Series, Profile™ Series or GE® appliance questions, visit our website atgeappliances.com or call GE Answer Center® service, 800.626.2000.



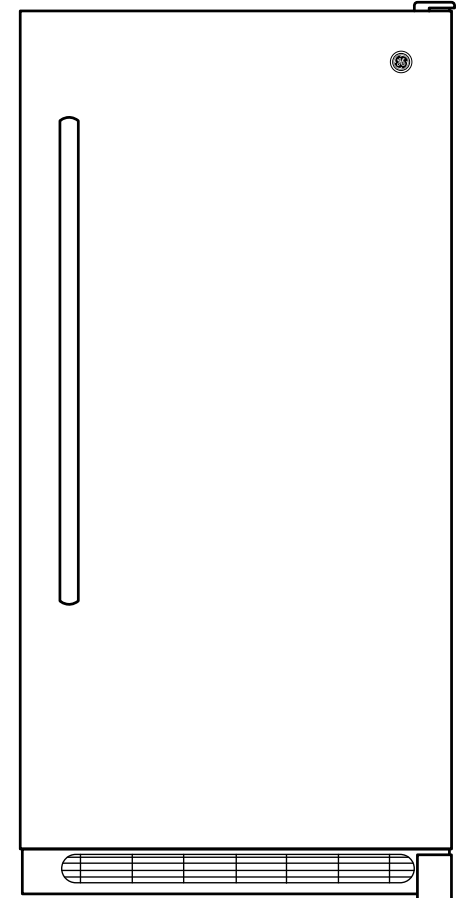
Specification Revised 8/14

FUF14DHR

GE® 13.8 Cu. Ft. Frost-Free Upright Freezer

Features and Benefits

- 13.8 cu. ft. capacity
- Frost free - Prevents frost build-up and means you never have to empty the contents to manually defrost
- Interior lighting - Makes it easy to see what is inside
- 3 cabinet shelves and 1 sliding bulk storage basket - Offers flexibility to organize and store favorite foods for quick, easy access
- 5 freezer door shelves - For quick access and easy selection
- Lock with key - Allows you to protect your valuable food items from unintentional entry
- Power "On" light - Easily see if the freezer is working without having to open the door
- Adjustable temperature control - Easy to use controls to select the temperature for your needs
- High-gloss handle - Provides a polished appearance that can be cleaned with ease
- Model FUF14DHRWW - White



For answers to your Monogram,® Cafe™ Series, Profile™ Series or GE® appliance questions, visit our website at geappliances.com or call GE Answer Center® service, 800.626.2000.



imagination at work



Specification Revised 8/14