

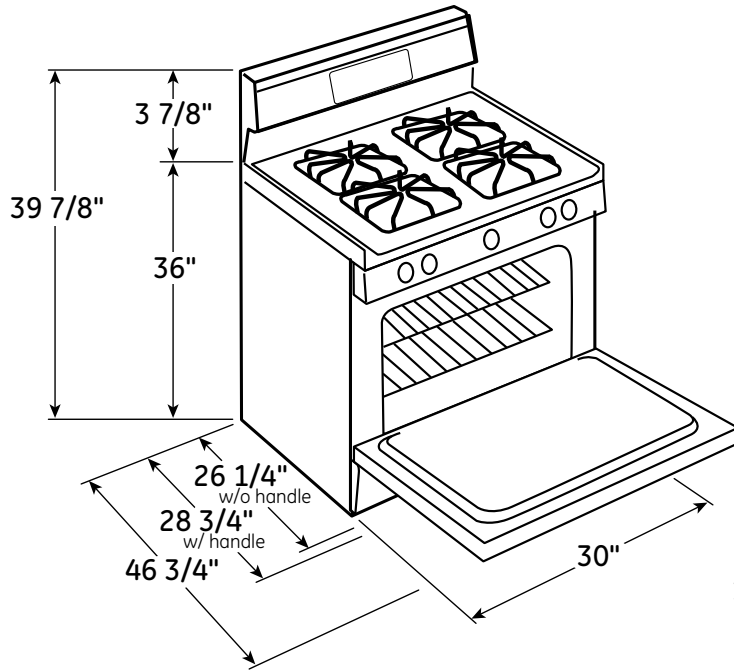
RGB508PEF

Hotpoint® 30" Free-Standing Gas Range

Dimensions and Installation Information (in inches)

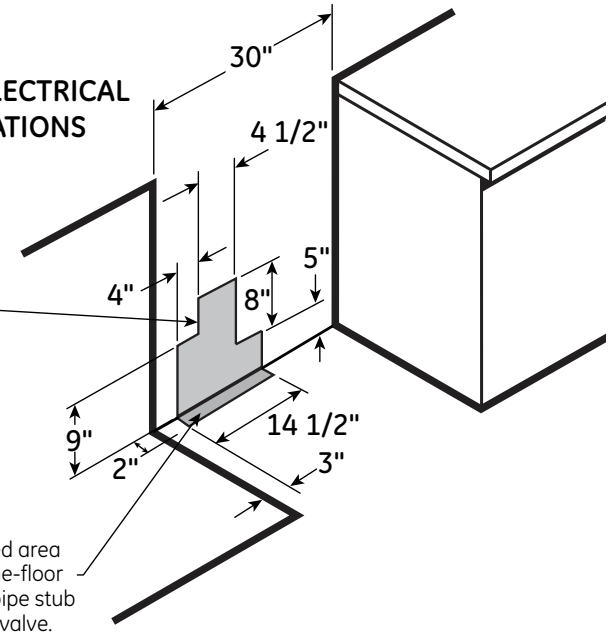
Electrical Rating: 120V, 60Hz, 15A

Installation Information: Before installing, consult installation instructions packed with product for current dimensional data.

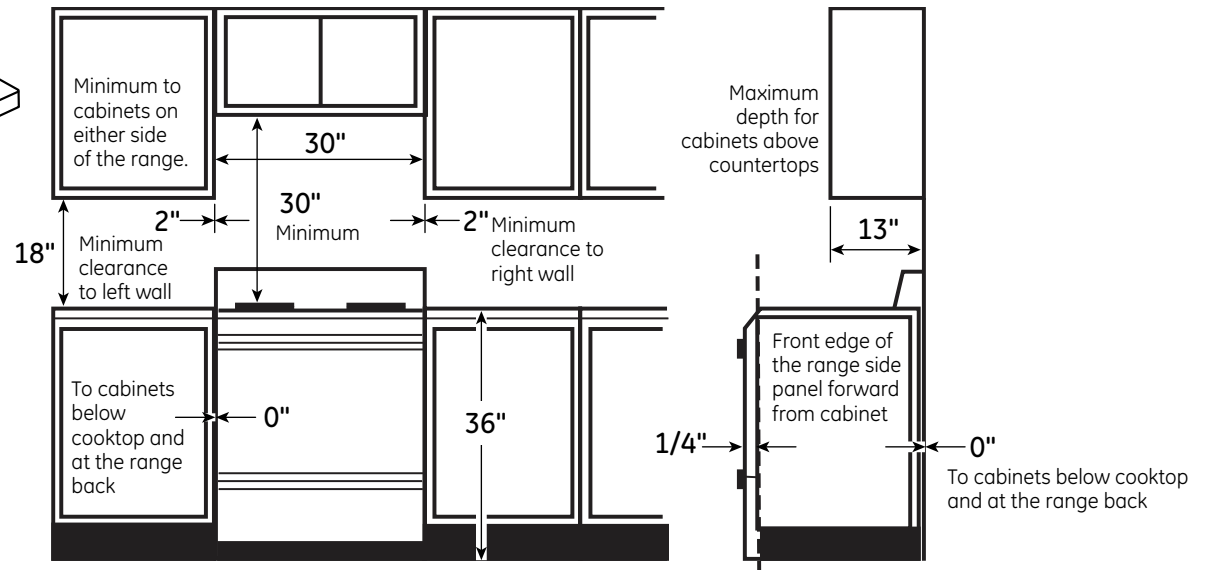


GAS PIPE AND ELECTRICAL OUTLET LOCATIONS

Recommended area for 120V outlet on rear wall and area for through-the-wall connection of pipe stub and shut-off valve.



Recommended area for through-the-floor connection of pipe stub and shut-off valve.



imagination at work

For answers to your Monogram® or GE® appliance questions, visit our website at geappliances.com or call GE Answer Center® service, 800.626.2000.



All GE ranges are equipped with an Anti-Tip device. The installation of this device is an important, required step in the installation of the range.

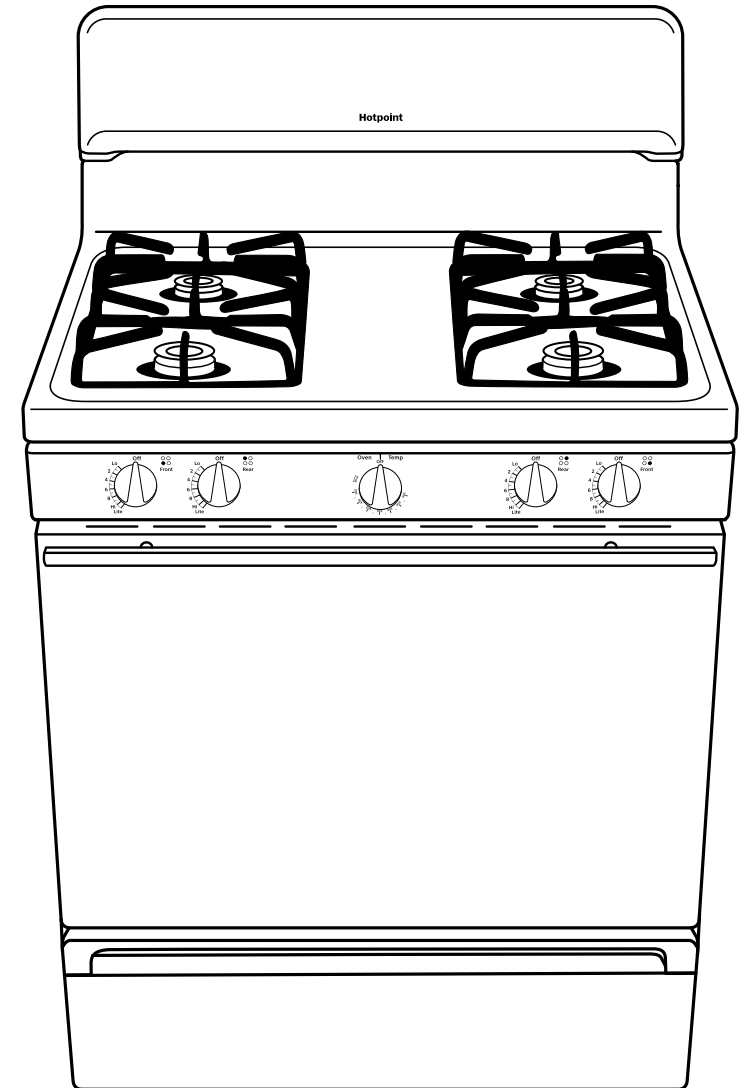
Specification Revised 8/14

RGB508PEF

Hotpoint® 30" Free-Standing Gas Range

Features and Benefits

- Standard clean oven - Smooth surface and rounded corners make clean-up quick and easy
- Broiler drawer - Delivers high concentrated heat for crisping and browning
- 4.8 cu. ft. oven capacity - Enough room to cook an entire meal at once
- Electronic pilotless ignition - Provides reliable burner ignition operation, eliminating the need for a standing pilot
- Model RGB508PEFCT - Bisque on bisque
- Model RGB508PEFWH - White on white



imagination at work