

# RB720DH

## Hotpoint® 30" Free-Standing Electric Range

### DIMENSIONS AND INSTALLATION INFORMATION (IN INCHES)

#### RECEPTACLE LOCATIONS

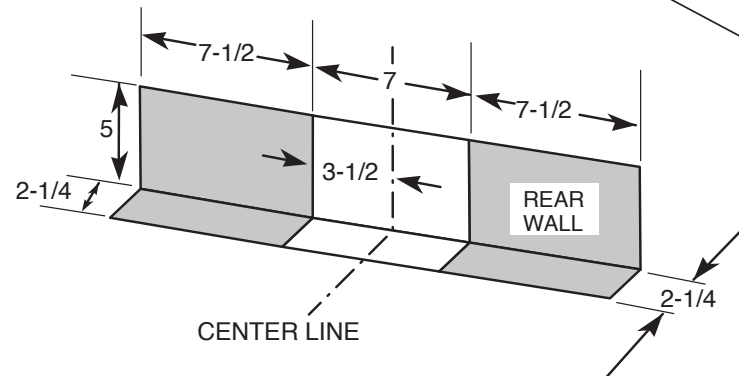
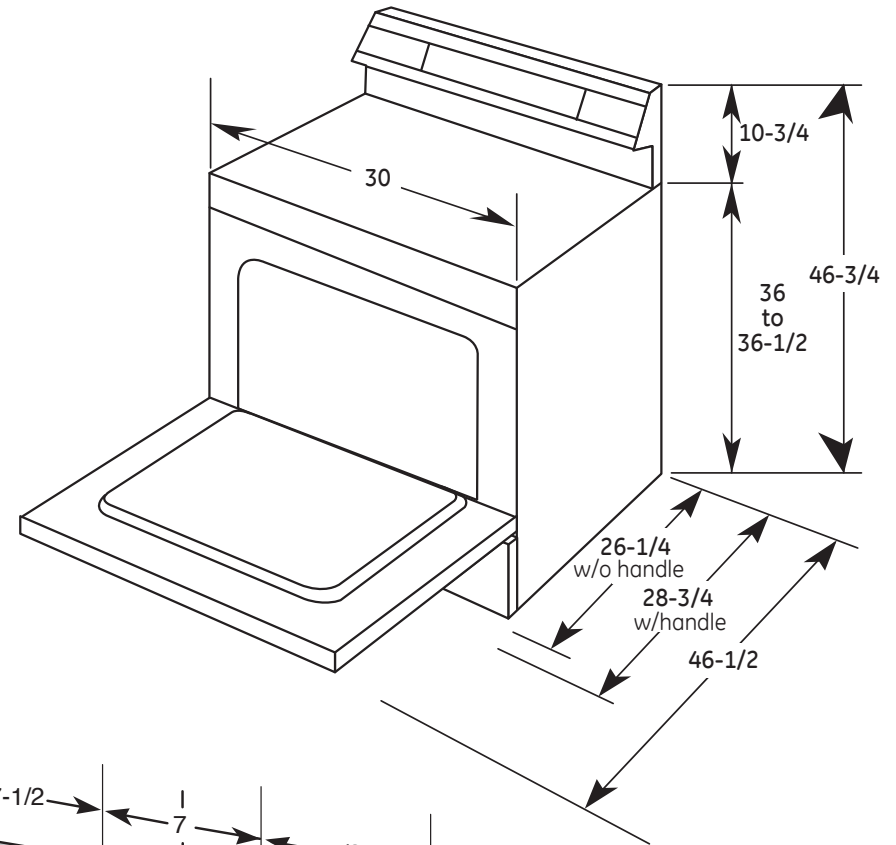
Locally approved flexible service cord or conduit must be used because terminals are not accessible after range installation. See shaded area in drawing for location of electrical outlet box. Recommended outlet locations allow range to be installed directly against wall.

**NOTE:** This appliance has been approved for 0" spacing to adjacent surfaces above the cooktop. However, a 6" minimum spacing to surfaces less than 15" above the cooktop and adjacent cabinet is recommended to reduce exposure to steam, grease splatter and heat.

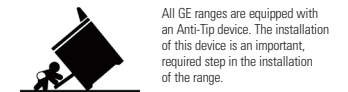
**INSTALLATION INFORMATION:** Before installing, consult installation instructions for current dimensional data and additional requirements.

KW RATING	
240V	11.7
208V	8.8
BREAKER SIZE	
240V	40 Amps†
208V	40 Amps†

†**NOTE:** Check local codes for required breaker size.



For answers to your Monogram, GE Profile™ Series or GE® Series appliance questions, visit our website at [geappliances.com](http://geappliances.com) or call GE Answer Center® service, 800.626.2000.



Specification Revised 10/15

# RB720DH

## Hotpoint® 30" Free-Standing Electric Range

### FEATURES AND BENEFITS

Self-clean oven – Cleans the oven cavity without the need for scrubbing

5.0 cu. ft. oven capacity – Cook more dishes at once

Coil heating elements – Provides consistent and even heat on the cooktop with a plug-in element that is removable for easy cleaning

Electronic oven controls – Electronic touch pads are easy to operate

Big view window – Provides a large, convenient viewing area to check the progress of food

Frameless glass oven door – Simple, stylish and easy to clean

Porcelain upswept cooktop – Raised edges contain spills, while the surface is easy to wipe clean

Two oven racks – Durable to securely hold any cookware

Interior oven light – Illuminates the oven interior

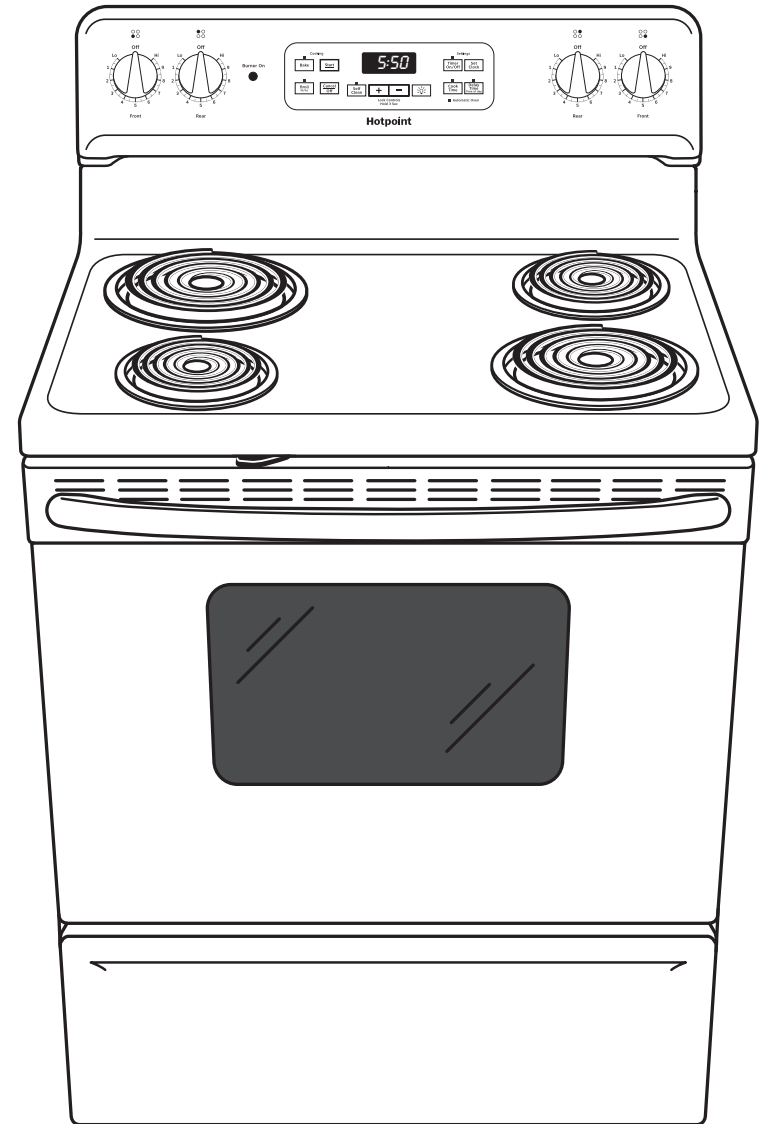
Audible preheat signal – Know when the oven is ready

Removable full-width storage drawer – Store cookware or kitchen accessories

Model RB720DHBB – Black on black

Model RB720DHWW – White on white

Model RB720DHCC – Bisque on bisque



GE APPLIANCES